

# Specification Sheet

## USB2.0 Flash Drive Handy Steno AH326



## Table of Contents

1. Product Introduction.....	3
2. Product Features.....	3
3. Specifications.....	4
4. Physical Dimension.....	4

## 1. Product Introduction

Handy Steno AH326 features the innovative “U-Ring” sliding cover with exquisite, sleek, and hand-touch design, bringing out the utilitarian and aesthetic value of a flash drive to its maximum.

The crystal red “U-Ring” sliding cover of AH326 combines the ring with the sliding cover structure and gives itself a simplistic yet elegant appearance. The unique “U-Ring” design of AH326 not only gives AH326 a delicate touch similar to a sliding cell phone, but also prevents the cap from missing. With the anti-slip texture, it also delivers a user experience with nice usability. The combination of all these features makes AH326 a true model of utilitarian aesthetics. Additionally, the crystal red “U-Ring” is eye-catching in comparison with its black and white base colors and can be further customized with your favorite decorations to become a stylish personal accessory.

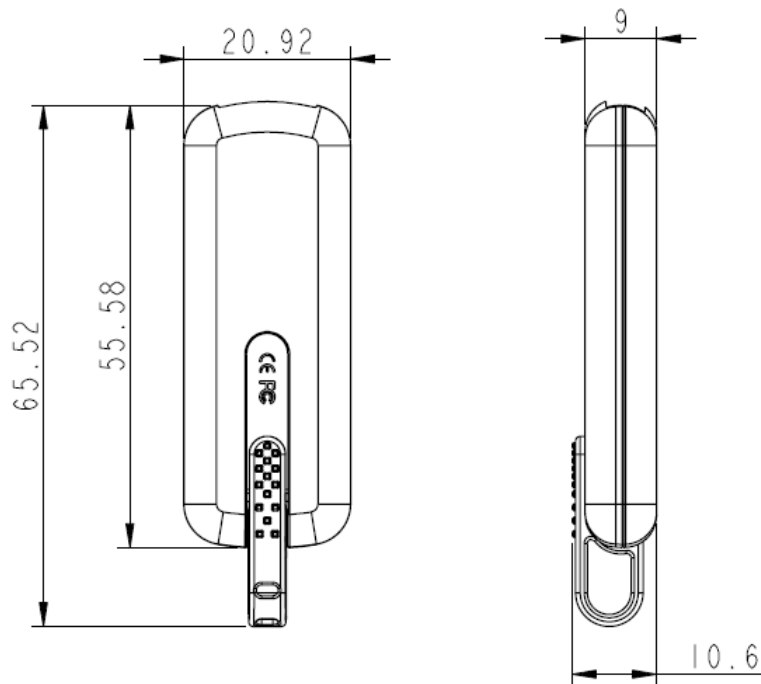
## 2. Product Features

- USB 2.0 Hi-Speed interface
- Easy plug & play
- Innovative U-ring sliding cover
- Sleek and pebble-like hand-touch design
- Strap hole allows AH326 to be further customized with personal decorations
- Available colors: black & white

### 3. Specifications

Interface	High-Speed USB 2.0 certified, backward compatible with USB 1.1
Power supply	USB Bus-Powered No external power required
Operating Systems Supported	Windows XP / 2000 / Vista/7, Mac OS 10.4 and Linux 2.6.4 or above
Capacity	2GB~64GB
Operating Temperature	0° C to +60° C (32° F to 140° F)
Storage Temperature	-20° C to +60° C (-4° F to +140° F)
Dimension	(L) 65.6 x (W) 21 x (H)10.6 mm
Weight	8g approx.

### 4. Physical Dimension



Unit: mm

## X-ON Electronics

Largest Supplier of Electrical and Electronic Components

*Click to view similar products for [USB Flash Drives](#) category:*

*Click to view products by [Apacer](#) manufacturer:*

Other Similar products are found below :

[UCL3-0640K0R11](#) [UCL3-1280K0R11](#) [UCO2-0160KWR11](#) [UCO2-1280KWR11](#) [UCU2-0320K0R11](#) [UMM3-0320K0R11](#) [UMM3-1280K0R11](#) [UPI2-0160K0R11](#) [UTS2-0160K0R11](#) [UTS2-0160W0R11](#) [UTS3-0080K0R11](#) [UTS3-0080R0R11](#) [UTS3-0160K0R11](#) [UTS3-0160R0R11](#) [UTS3-0320K0R11](#) [UTS3-0640K0R11](#) [UTS3-1280R0R11](#) [UUN2-0080S0R11](#) [SDCZ50-016G-B35](#) [SDCZ50-032G-B35](#) [SDCZ60-064G-B35](#) [SDDD3-064G-G46](#) [ODD3-0640B0R11](#) [UUN2-0320S0R11](#) [UUN2-0160S0R11](#) [UTS3-1280K0R11](#) [UTS3-0640R0R11](#) [UTS3-0320R0R11](#) [UTS2-1280K0R11](#) [UTS2-0640K0R11](#) [UTS2-0320K0R11](#) [UTS2-0160B0R11](#) [UTS2-0080K0R11](#) [UTS2-0080B0R11](#) [UMM3-0640K0R11](#) [UMM3-0160K0R11](#) [UCU2-0320E0R11](#) [UCU2-0160K0R11](#) [UCU2-0080K0R11](#) [UCO2-0640KWR11](#) [UCO2-0320KWR11](#) [UCL3-0320K0R11](#) [UCL3-0160K0R11](#) [SDCZ430-016G-G46](#) [SDCZ430-032G-G46](#) [SDCZ430-064G-G46](#) [SDCZ430-128G-G46](#) [SDCZ430-256G-G46](#) [SDCZ48-256G-U46](#) [SDCZ60-128G-B35](#)