

# Specification Sheet

## USB3.0 Flash Drive AH358



## Table of Contents

<u>1. Product Introduction</u> .....	3
<u>2. Product Features</u> .....	3
<u>3. Specification</u> .....	4
<u>4. Physical Dimension</u> .....	4
<u>5. Revision History</u> .....	5

## 1. Product Introduction

AH358 adopts modern ivory color and dresses with fresh fluor green color in the edge. With compact and thin size, unique cap-lost free design, easy carrying convenience, AH358 is simply the best USB flash drive for every computer user. The modern ivory color brings AH358 a timeless trendy style; the chic and classic digital accessory you can't live without.

Easy portability is one of the key factors consumers always take into consideration while choosing a USB flash drive. In addition to its chic look, the lightweight and compact AH358 is easy to carry and use. Apacer highlights the aesthetics and functionality in product design, AH358 also shows thought-out details with its special pen cap design to prevent accidental loss of cap.

AH358 bring user an easy and efficient data transferring experience to reach the Read/Write speed higher than USB 2.0! Equipped with a capacity up to 64GB, AH358 relieves people's information anxiety by rendering MP3 songs, HD movies, photos, e-books and working files portable!

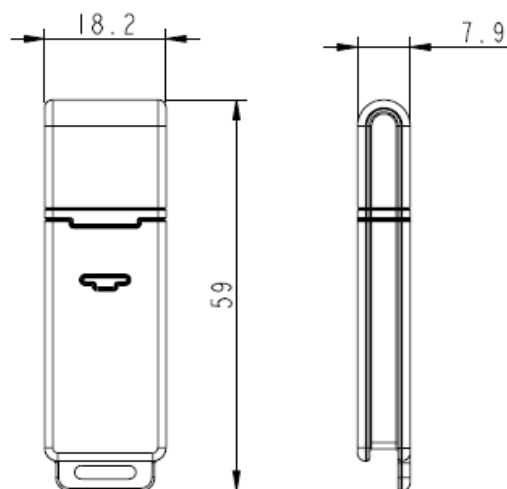
## 2. Features

- SuperSpeed USB3.0 and backwards compatible with Hi-speed USB 2.0 interface
- USB powered. No external power or battery required
- Easy plug & play
- Pen Cap design
- Built-in strap hole for easy carry
- Slim and Compact design, easy to carry and attach
- RoHS compliant

### 3. Specifications

<b>Specifications</b>	
Interface	Super Speed USB3.0, backwards compatible with USB 2.0 & 1.1
Device Interface Transfer Rate	USB 3.0 interface: up to 5Gbit/second USB 2.0 interface: up to 480Mbit/second
Power supply	USB bus powered No external power required
Power consumption	115mA (max.)
Operating Systems Supported	Windows XP/ Vista/ 7 / 8, Mac 10.4 or above Linux Kernel 2.6.33 or above
Capacity	8GB~64GB
Operating Temperature	0° C to +60° C (32° F to 140° F)
Storage Temperature	-20° C to +60° C (-4° F to +140° F)
Dimensions	(L) 59 x (W) 18.2 x (H)7.9 mm
Weight	8g approx.
Certificate	CE, FCC, BSMI, C-Tick

### 4. Physical Dimension



Tolerance: ±0.2mm

**Unit: mm**

## 5. Revision History

Revision No	History	Date	Remarks
1.0	Official Release	Mar. 04, 2015	

## X-ON Electronics

Largest Supplier of Electrical and Electronic Components

*Click to view similar products for [USB Flash Drives](#) category:*

*Click to view products by [Apacer](#) manufacturer:*

Other Similar products are found below :

[UCL3-0640K0R11](#) [UCL3-1280K0R11](#) [UCO2-0160KWR11](#) [UCO2-1280KWR11](#) [UCU2-0320K0R11](#) [UMM3-0320K0R11](#) [UMM3-1280K0R11](#) [UPI2-0160K0R11](#) [UTS2-0160K0R11](#) [UTS2-0160W0R11](#) [UTS3-0080K0R11](#) [UTS3-0080R0R11](#) [UTS3-0160K0R11](#) [UTS3-0160R0R11](#) [UTS3-0320K0R11](#) [UTS3-0640K0R11](#) [UTS3-1280R0R11](#) [UUN2-0080S0R11](#) [SDCZ50-016G-B35](#) [SDCZ50-032G-B35](#) [SDCZ60-064G-B35](#) [SDDD3-064G-G46](#) [ODD3-0640B0R11](#) [UUN2-0320S0R11](#) [UUN2-0160S0R11](#) [UTS3-1280K0R11](#) [UTS3-0640R0R11](#) [UTS3-0320R0R11](#) [UTS2-1280K0R11](#) [UTS2-0640K0R11](#) [UTS2-0320K0R11](#) [UTS2-0160B0R11](#) [UTS2-0080K0R11](#) [UTS2-0080B0R11](#) [UMM3-0640K0R11](#) [UMM3-0160K0R11](#) [UCU2-0320E0R11](#) [UCU2-0160K0R11](#) [UCU2-0080K0R11](#) [UCO2-0640KWR11](#) [UCO2-0320KWR11](#) [UCL3-0320K0R11](#) [UCL3-0160K0R11](#) [SDCZ430-016G-G46](#) [SDCZ430-032G-G46](#) [SDCZ430-064G-G46](#) [SDCZ430-128G-G46](#) [SDCZ430-256G-G46](#) [SDCZ48-256G-U46](#) [SDCZ60-128G-B35](#)