

# Specification Sheet

## USB3.0 Flash Drive Handy Steno AH353



**Apacer**  
*Access the best*

***Apacer Technology Inc.***

1F., No. 32, Zhongcheng Rd., Tucheng Dist., New Taipei City 236, Taiwan

Tel: +886-2-2267-8000 Fax: +886-2-2267-2261

[www.apacer.com](http://www.apacer.com)

## Table of Contents

<u>1. Product Introduction</u> .....	3
<u>2. Product Features</u> .....	3
<u>3. Specification</u> .....	4
<u>4. Physical Dimension</u> .....	4
<u>5. Revision History</u> .....	5

## 1. Product Introduction

The AH353 features a sleek and clean design with steady style and satisfies the needs of high-capacity with low profile. It is the best solution for business professionals and mobile users. The Apacer AH353 USB 3.0 flash drive is the most compact masterpiece among the same level products and boasts two advantages, compactness and super speed, making it the prime choice for portable storage products.

The lightweight and durable AH353 adopts aluminum alloy materials, which create a unique and exquisite metallic appearance showcasing the high-tech element. The engraved lines on the body reflect the nature of high-speed, trimmed with arc design to enhance the texture and enrich its light and shadow changes. With the strap hole at the end of the flash drive, users can freely attach straps or a key chain to show their personal style. The Pen Cap Design allows the cap to be tucked in the back of the casing to prevent accidental loss.

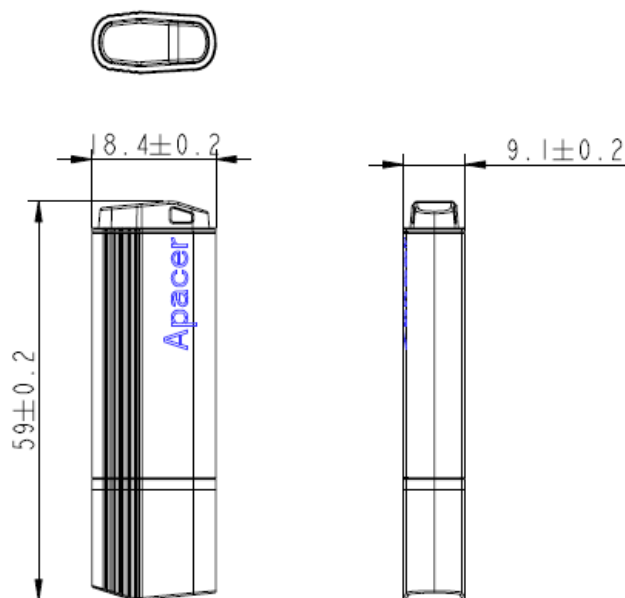
## 2. Features

- Best choice to experience USB 3.0 SuperSpeed transmission
- SuperSpeed USB3.0 and backwards compatible with Hi-speed USB 2.0 interface
- Easy plug & play
- USB powered. No external power or battery required
- Durable & exquisite metallic appearance with aluminum alloy
- Pen Cap Design with strap hole at the end of the drive
- RoHS compliant

### 3. Specifications

Specifications	
Interface	Super Speed USB3.0, backwards compatible with USB 2.0 & 1.1
Device Interface Transfer Rate	USB 3.0 interface: up to 5Gbit/second USB 2.0 interface: up to 480Mbit/second
Power supply	USB bus powered No external power required
Power consumption	115mA (max.)
Operating Systems Supported	Windows XP/ Vista/ 7 / 8, Mac 10.4 or above Linux Kernel 2.6.33 or above
Capacity	16GB & 32GB
Operating Temperature	0° C to +60° C (32° F to 140° F)
Storage Temperature	-20° C to +60° C (-4° F to +140° F)
Dimensions	(L)59 x (W)18.4 x (H)9.1mm
Weight	10g
Certificate	CE, FCC, BSMI, C-Tick

### 4. Physical Dimension



Unit: mm

## 5. Revision History

Revision No	History	Date	Remarks
1.0	Official Release	Aug. 09, 2013	

## X-ON Electronics

Largest Supplier of Electrical and Electronic Components

*Click to view similar products for [USB Flash Drives](#) category:*

*Click to view products by [Apacer](#) manufacturer:*

Other Similar products are found below :

[UCL3-0640K0R11](#) [UCL3-1280K0R11](#) [UCO2-0160KWR11](#) [UCO2-1280KWR11](#) [UCU2-0320K0R11](#) [UMM3-0320K0R11](#) [UMM3-1280K0R11](#) [UPI2-0160K0R11](#) [UTS2-0160K0R11](#) [UTS2-0160W0R11](#) [UTS3-0080K0R11](#) [UTS3-0080R0R11](#) [UTS3-0160K0R11](#) [UTS3-0160R0R11](#) [UTS3-0320K0R11](#) [UTS3-0640K0R11](#) [UTS3-1280R0R11](#) [UUN2-0080S0R11](#) [SDCZ50-016G-B35](#) [SDCZ50-032G-B35](#) [SDCZ60-064G-B35](#) [SDDD3-064G-G46](#) [ODD3-0640B0R11](#) [UUN2-0320S0R11](#) [UUN2-0160S0R11](#) [UTS3-1280K0R11](#) [UTS3-0640R0R11](#) [UTS3-0320R0R11](#) [UTS2-1280K0R11](#) [UTS2-0640K0R11](#) [UTS2-0320K0R11](#) [UTS2-0160B0R11](#) [UTS2-0080K0R11](#) [UTS2-0080B0R11](#) [UMM3-0640K0R11](#) [UMM3-0160K0R11](#) [UCU2-0320E0R11](#) [UCU2-0160K0R11](#) [UCU2-0080K0R11](#) [UCO2-0640KWR11](#) [UCO2-0320KWR11](#) [UCL3-0320K0R11](#) [UCL3-0160K0R11](#) [SDCZ430-016G-G46](#) [SDCZ430-032G-G46](#) [SDCZ430-064G-G46](#) [SDCZ430-128G-G46](#) [SDCZ430-256G-G46](#) [SDCZ48-256G-U46](#) [SDCZ60-128G-B35](#)