

DT225 series

Desktop Trackball



DISTINCTIVE FEATURES

- Non contacting optical encoders
- Ergonomic and ambidextrous desktop design
- 2.25" diameter thermoset phenolic ball
- USB 2.0 protocol
- Stainless steel shaft and bearings



ENVIRONMENTAL SPECIFICATIONS

- Operating Temperature: -25 °C to +70 °C (-13 °F to +158 °F)
- Storage Temperature: -32 °C to +75 °C (-25.6 °F to +167 °F)
- FCC approved: Class B, subpart J of part 15



ELECTRICAL SPECIFICATIONS

- USB: Input: 4.75 V - 5.25 V @ 25 mA max;
Output: USB 2.0



MECHANICAL SPECIFICATIONS

- Dimensions: 5.0" W x 5.5" D x 2.7" H
- Mechanical: 5,000,000 180° rotations with 6 ounces of vertical force
- Tracking force: 11 grams
- Mass/Weight: 460 g (16.23 oz)
- Ball diameter: 2.25" (57.15 mm)
- Ball rotation: 360°



MATERIALS

- Housing: High impact ABS
- Ball: Thermoset phenolic resin
- Shafts: Polished stainless steel
- Bearings: Encased stainless steel

The company reserves the right to change specifications without notice.



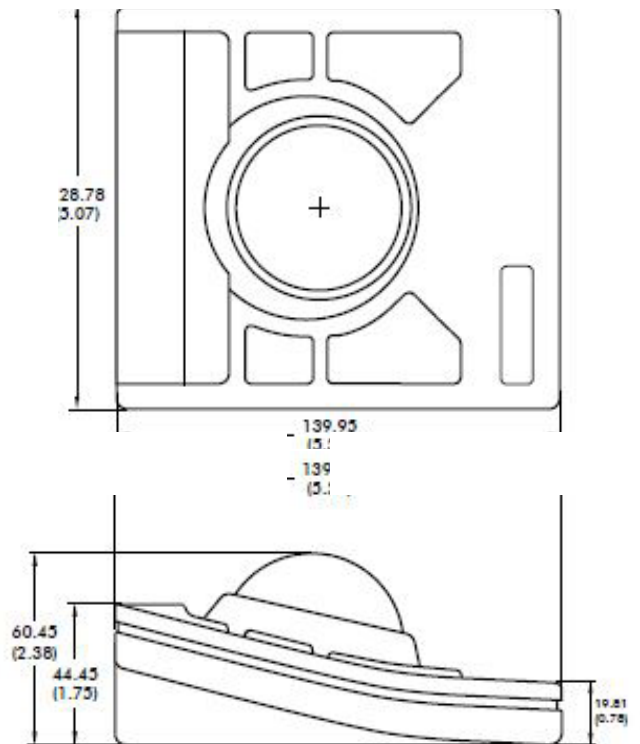
DT225 series

Desktop trackball

BUILD YOUR PART NUMBER

DT	225		X		V00	
SERIES	MODEL	PROTOCOL FORMAT	RESOLUTION	POWER REQUIREMENT	COLOR	
		7 USB 2.0	10 180 DPI 20 360 DPI 30 720 DPI		GRY Grey BLK Black	

DIMENSIONS



All dimensions are in mm /(inch).

X-ON Electronics

Largest Supplier of Electrical and Electronic Components

Click to view similar products for [Input Devices](#) category:

Click to view products by [Apem](#) manufacturer:

Other Similar products are found below :

[80260-00](#) [81485-28](#) [81521-08](#) [FKB4720-103](#) [84250-26](#) [84980-04](#) [84S-AC1-000](#) [JD-0700EU-2](#) [JM-0800-2](#) [JW-T0100](#) [89498-13](#) [89758-05](#)
[89886-26](#) [89941-00](#) [G80-3000LSCEU-2](#) [MJ0FGGRY](#) [JM-0800-0](#) [84S-BB1-004](#) [81601-26](#) [UL21KMZQ](#) [G8011900LPMUS0](#) [G84-](#)
[4700LUCUS-0](#) [81485-26](#) [84105-13](#) [V400-W24 5M](#) [V400-W23 5M](#) [G84-5200LCMEU-2](#) [DT2257X20V00GRY](#) [V400-W23P 5M](#)
[VW3A8151R20U](#) [V400-W24 15M](#) [LT1332D](#) [V400-W24 10M](#) [V400-W24P 15M](#) [V400-WM0 1M](#) [V400-W24P 10M](#) [V400-W23P 10M](#)
[TCS-1492OP](#) [V400-W23 3M](#) [LT1372D](#) [LP1007EXXH00R](#) [DT2253X20V00BLK](#) [100133BX](#) [EZ08-230013](#) [81248-04](#) [89887-26](#) [90215-00](#)
[HB110C3NWBNA](#) [9700001201](#) [80260-08](#)