

# VM Desktop

## USB multifunction controllers

Distinctive features and specifications

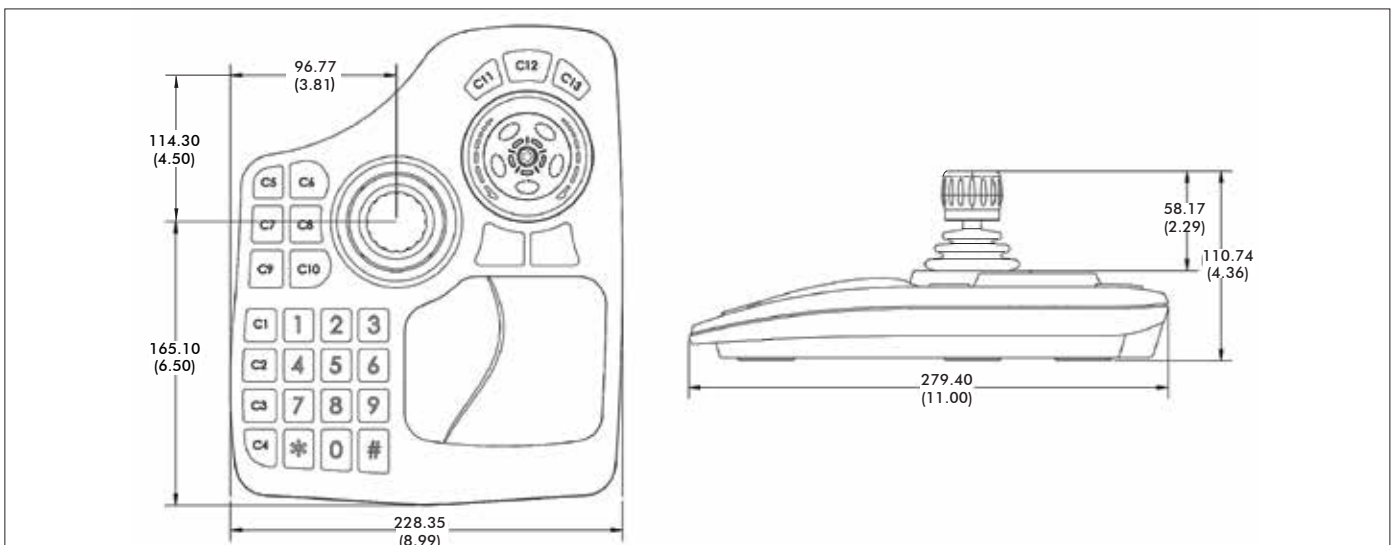


- ❑ 3 axis joystick for PTZ control
- ❑ 27 programmable pushbuttons
- ❑ USB 1.1 HID compliant “game controller”
- ❑ Jog/shuttle dial
- ❑ LED backlit and tactile pushbutton options
- ❑ Functions determined by controlled application

- Joystick performance:
    - Hall effect three axis joystick
    - X/Y/Z for positioning control
  - Joystick travel:
    - 36° for X and Y axis
    - 60° for Z axis
  - Centering: Single spring, omni-directional
  - Joystick shaft: Stainless steel
  - Joystick boot: Neoprene
  - Joystick handle: Glass filled nylon
  - Jog/shuttle performance:
    - Spring loaded shuttle ring travel  $\pm 40^\circ$
    - Smooth action knob rotates 360°
  - Pushbutton performance:
    - 27 programmable pushbuttons rated for 500,000 life cycles
    - Lighting: high efficiency LED
    - Pushbutton material: silicon
    - “Mouse” pushbuttons are rated for 10 million life cycles
  - Desktop housing: High impact ABS
  - Power:
    - Via USB interface (5V DC)
    - Consumption 500mA max
- Supplied by USB ports, per USB specification

- Operating conditions:
  - -25°C to +85°C (-13°F to +185°F)
- Approvals:
  - EN 55024:1998, EN 55022,
  - FCC Part 15 Subpart B Class B
  - RoHs compliant
- Interface:
  - USB port
  - Uses standard DirectX HID drivers
  - Connects directly to workstation PC
- Connectors:
  - USB Type A Male
  - Cable Length: 2m (6ft. 6.8in)
- Systems support integration: Windows 7, Vista, XP, 2000, Windows 8, OSX, Linux
- Supported protocols:
  - USB HID 1.1 game controller
  - Direct X (Gaming Control)
  - Joystick: Three HID axis
  - Pushbuttons: 12 HID buttons
  - Uses standard DirectX HID drivers
  - Connects directly to workstation PC
- Environmental: For indoor use only
- Boxed weight: 1.33kg (47oz)

NOTE: All values are nominal.



- NOTES:
- Dimensions are in mm/(inch).
  - Product is supplied individually boxed with instruction booklet.
  - To order the VM Desktop with LED backlighting, refer to part number 100-590.
  - To order the VM Desktop with tactile switches, refer to part number 100-600.

Note: The company reserves the right to change specifications without notice.

## X-ON Electronics

Largest Supplier of Electrical and Electronic Components

*Click to view similar products for [Joysticks](#) category:*

*Click to view products by [Apem](#) manufacturer:*

Other Similar products are found below :

[M11L0A1](#) [C1000C1P](#) [S10L0A1M](#) [G3-A1AM151NNNN](#) [TH500P00D4](#) [C1000C1PMJ0](#) [S10L061J](#) [60C22-M7-4-020S](#) [67A-DF-3C-060C](#)  
[60A00-8-050C](#) [60A00-4-050C](#) [60C22-M7-4-040S](#) [G3-0425](#) [S30L081F50](#) [3440SAT6476](#) [60A18-4-090C](#) [S30L081J](#) [M11L001C](#) [M11L0X1P](#)  
[USBM31Q081RMJ4S](#) [USBC20O051JMJS](#) [TW08BLK12](#) [S30L0M1CSJBLK](#) [HF11R11](#) [HG-44MIS000-2654](#) [HG-44MIS000-U-2655](#)  
[4P182F1E55475](#) [TS4A1S00A](#) [BD140D01GR0000](#) [BD150SD4BL1200](#) [3140SAL6475](#) [TW01BLK11](#) [TW01GRY1](#) [ZD4PA203](#)  
[HF44S10UMJ0](#) [TS3N2S00A](#) [TS1R1U00A](#) [TS1R1S09A](#) [TS1D2S00A](#) [HFX45S02](#) [HFX10S00](#) [HF11P11](#) [4R28-2S1E-55-00](#)  
[BD150A01RE0000](#) [BD150D02BK1200](#) [ZD4PA24](#) [ZD4PA22](#) [ZD4PA12](#) [ZD4PA14](#) [J1-00105-S-G](#)