

# IPD Ultima

## Premium USB desktop controllers

Distinctive features and specifications

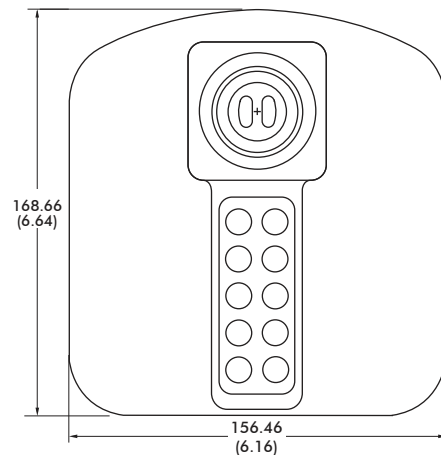
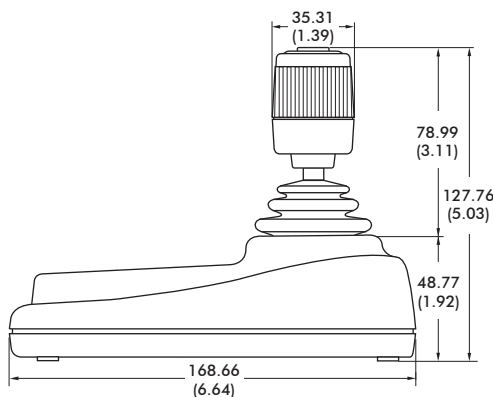


- 3 axis joystick for PTZ control
- LED pushbutton switches
- USB 2.0 HID compliant “game controller”
- Soft touch Business Blue coating

- Joystick performance:
  - Hall effect three axis joystick
  - X/Y/Z for positioning control
- Joystick travel:
  - 36° for X and Y axis
  - 60° for Z axis
- Centering: Single spring, omni-directional
- Joystick shaft: Stainless steel
- Joystick boot: Neoprene
- Joystick handle: Glass filled nylon
- Pushbutton performance:
  - 10 vibrant, high efficiency back lit LED pushbuttons rated for 10,000,000 life cycles
  - Two tactile pushbuttons on joystick rated for 3,000,000 life cycles
- Desktop housing:
  - High impact ABS
  - Soft touch Business Blue coating
- Power:
  - Via USB interface (5V DC)

- Operating conditions: -25° to +85° C (-13 to +185° F)
- Approvals:
  - EN 55024:1998, EN 55022, CE
  - FCC Part 15 Subpart B Class B
  - RoHs compliant
- Weight: 455 g (1.00lb)
- Interface: USB port
- Connectors:
  - USB Type A Male
  - Cable Length: 2m; 6ft. 6.8in.
- Systems support integration: Windows 7, 8, 10 & OSX
- Supported protocols:
  - USB HID 1.1 game controller
  - Direct X (Gaming Control)
  - Joystick: Three HID axis
  - Pushbuttons: 12 HID buttons
  - Uses standard DirectX HID drivers
  - Connects directly to workstation PC
- Environmental: For indoor use only

NOTE: All values are nominal.



### NOTES:

Dimensions are in mm/(inch).

To order the IP Desktop please refer to Part Number 100-650.

## X-ON Electronics

Largest Supplier of Electrical and Electronic Components

*Click to view similar products for [Joysticks](#) category:*

*Click to view products by [Apem](#) manufacturer:*

Other Similar products are found below :

[M11L0A1](#) [C1000C1P](#) [S10L0A1M](#) [G3-A1AM151NNNN](#) [TH500P00D4](#) [C1000C1PMJ0](#) [S10L061J](#) [60C22-M7-4-020S](#) [67A-DF-3C-060C](#)  
[60A00-8-050C](#) [60A00-4-050C](#) [60C22-M7-4-040S](#) [G3-0425](#) [S30L081F50](#) [3440SAT6476](#) [60A18-4-090C](#) [S30L081J](#) [M11L001C](#) [M11L0X1P](#)  
[USBM31Q081RMJ4S](#) [USBC20O051JMJS](#) [TW08BLK12](#) [S30L0M1CSJBLK](#) [HF11R11](#) [HG-44MIS000-2654](#) [HG-44MIS000-U-2655](#)  
[4P182F1E55475](#) [TS4A1S00A](#) [BD140D01GR0000](#) [BD150SD4BL1200](#) [3140SAL6475](#) [TW01BLK11](#) [TW01GRY1](#) [ZD4PA203](#)  
[HF44S10UMJ0](#) [TS3N2S00A](#) [TS1R1U00A](#) [TS1R1S09A](#) [TS1D2S00A](#) [HFX45S02](#) [HFX10S00](#) [HF11P11](#) [4R28-2S1E-55-00](#)  
[BD150A01RE0000](#) [BD150D02BK1200](#) [ZD4PA24](#) [ZD4PA22](#) [ZD4PA12](#) [ZD4PA14](#) [J1-00105-S-G](#)