

10600 series

Professional toggle switches •
threaded bushing Ø 10 mm



DISTINCTIVE FEATURES

Threaded bushing dia. 10 (.393)

CECC approved

Available with black finish



ELECTRICAL SPECIFICATIONS

- Max. current/voltage rating with resistive load : 3 A 24 VDC
- Minimum load : 100 μ A 10 mV
- Initial contact resistance : 10 m Ω max.
- Insulation resistance : 1,000 M Ω min. at 500 VDC
- Dielectric strength :
1,000 Veff. 50 Hz min. between terminals of the same pole
2,000 Veff. 50 Hz min. between terminals and frame
2,000 Veff. 50 Hz min. between terminals of adjacent poles
- Electrical life : 50,000 cycles



GENERAL SPECIFICATIONS

- Torque : 1.50 Nm (1.106 Ft.lb) max. applied to nut
- Operating temperature : -40 °C to +85 °C (-40 °F to +185 °F)
- Max. panel thickness : 4 mm (.157)



MATERIALS

- Case : diallylphthalate (DAP) or high temperature plastic material (UL94-V0)
- Actuator : brass, nickel plated
- Bushing : brass, nickel plated
- Housing : stainless steel
- Contacts :
- silver
- gold plated silver
- Terminal seal : epoxy

The company reserves the right to change specifications without notice.



10600 series

Professional toggle switches • threaded bushing Ø 10 mm

AGENCY APPROVAL



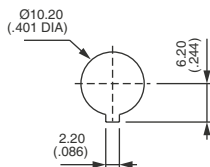
CECC 96201-007

Availability : consult factory for details of approved models.

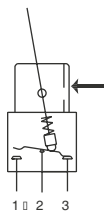
Marking : to order switches marked CECC, add "CECC" to model number.



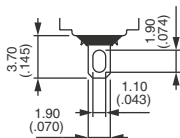
PANEL CUT-OUT



ELECTRICAL FUNCTIONS



TERMINALS



ABOUT THIS SERIES

Complete part numbers are shown on the following page.

- Sealing boots** are available to protect the switches against dust and water. See "Sealing boots" section of website.
- Mounting accessories** : standard hardware supplied with all models : 1 knurled nut, 1 hex nut, 1 locking ring and 1 lockwasher. It is presented in the "Hardware" section of website.

10600 series

Professional toggle switches • threaded bushing Ø 10 mm

SOLDER LUG TERMINALS - 2 POSITIONS SINGLE POLE



Silver contacts	Gold plated silver contacts	II	I
106362103	106361175	ON	ON
106322103	106321175	ON	MOM

SOLDER LUG TERMINALS - 2 POSITIONS DOUBLE POLE



Silver contacts	Gold plated silver contacts	II	I
106462103	106461175	ON	ON
106422103	106421175	ON	MOM

SOLDER LUG TERMINALS - 3 POSITIONS SINGLE POLE



Silver contacts	Gold plated silver contacts	III	II	I
106392103	106391175	ON	OFF	ON
106372103	106371175	MOM	OFF	MOM
106382103	106381175	ON	OFF	MOM

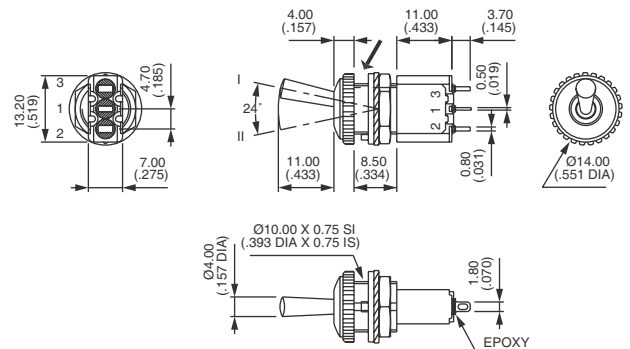
SOLDER LUG TERMINALS - 3 POSITIONS DOUBLE POLE



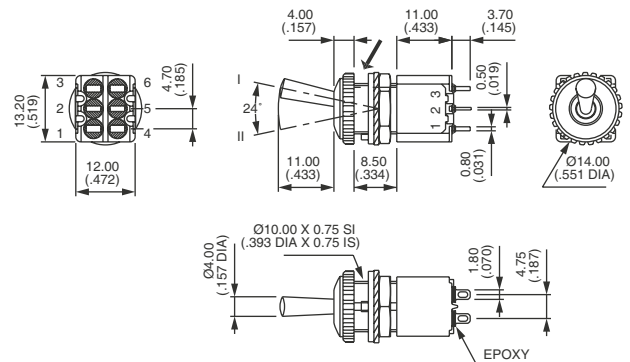
Silver contacts	Gold plated silver contacts	III	II	I
106492103	106491175	ON	OFF	ON
106472103	106471175	MOM	OFF	MOM
106482103	106481175	ON	OFF	MOM
106440886*	106440944*	ON	ON	ON

* Function 4 : SP in DP case. Jumper between terminals 2 and 4 to be wired by the user.

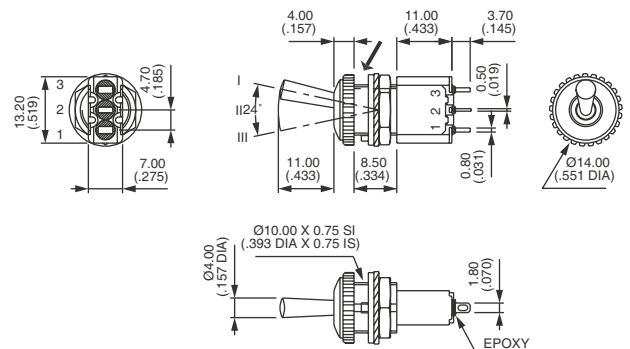
→ KEYWAY



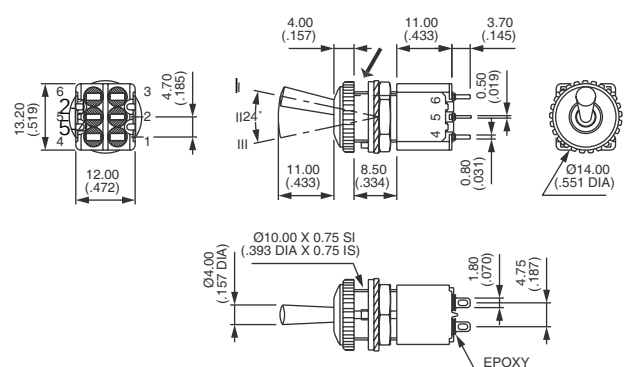
→ KEYWAY



→ KEYWAY



→ KEYWAY



10600 series

Professional toggle switches •
threaded bushing Ø 10 mm

AGENCY APPROVALS

BASIC P/N

CECC CECC 96401-001

Blank No agency approval required.

Availability : consult factory for details of approved models.

Marking : to order switches marked CECC, please complete above box with CECC.

X-ON Electronics

Largest Supplier of Electrical and Electronic Components

Click to view similar products for [Toggle Switches](#) category:

Click to view products by [Apem](#) manufacturer:

Other Similar products are found below :

[8928K478](#) [020017-13](#) [60012L](#) [6006L](#) [CS115W](#) [CS120W](#) [637H/25](#) [6663](#) [7101SPDV30BE](#) [7103SDV30BE](#) [7105D](#) [7108P3YAV2BE](#)
[71YY50282](#) [7300K36](#) [7301K38](#) [7306K36](#) [7310K36](#) [7506K4](#) [7592K6](#) [7660K12](#) [7691K14](#) [7700K1](#) [8391K108](#) [8396K108](#) [8824K14](#)
[8828K13](#) [8835K3](#) [8858K44](#) [PS83-121G](#) [1-1825192-0](#) [A201SCWZB04](#) [A207SYCB04](#) [A208J61ZQ0004](#) [A221T1TCQ](#) [A232M1YCQ](#)
[A323S1CWZQ](#) [A423S1CWZG-M8](#) [1201W](#) [12156AX408](#) [12147AGKX679](#) [12246X778](#) [12TW49-3D](#) [130312](#) [13037L](#) [13001X](#)
[AE101MD1W4B04](#) [AE208SD1W4B04](#) [MS24659-22D](#) [MS27407-5](#) [1520230-9](#)