

10600 series

Professional toggle switches - threaded bushing Ø 10 (.393)

Distinctive features and specifications

UG1410A



☐ CECC approved

A

ELECTRICAL SPECIFICATIONS

- Max. current/voltage rating with resistive load :
2A 220VAC - 3A 110VAC - 3A 24VDC
- Minimum load : 100µA 10mV
- Initial contact resistance : 10 mΩ max.
- Insulation resistance : 1.000 MΩ min. at 500VDC
- Dielectric strength :
1.000 Vrms 50 Hz min. between terminals of the same pole
2.000 Vrms 50 Hz min. between terminals and frame
2.000 Vrms 50 Hz min. between terminals of adjacent poles
- Electrical life : 50.000 cycles

MATERIALS

- Case : diallylphthalate (DAP) or high temperature plastic material (UL94-V0)
- Actuator : brass, nickel plated
- Bushing : brass, nickel plated
- Housing : stainless steel
- Contacts :
- silver
- silver, gold plated
- Terminal seal : epoxy

HOMOLOGATION



CECC 96201-007

Availability : consult factory for details of approved models.

Marking : to order switches marked CECC, add "CECC" to model number.

GENERAL SPECIFICATIONS

- Torque : 1,50 Nm (1.106 Ft.lb) max. applied to nut
- Max. panel thickness :
4 mm (.157)
- Operating temperature :
-40°C to +85°C

ABOUT THIS SERIES

Complete part numbers are shown on the following pages.

Dimensions : first dimensions are in mm while inches are shown as bracketed numbers.



Sealing boots are available to protect the switches against dust and water. They are presented in section H.



Mounting accessories : standard hardware supplied with all models : 1 knurled cap nut, 1 hex nut, 1 locking ring and 1 lockwasher. They are presented in section I.



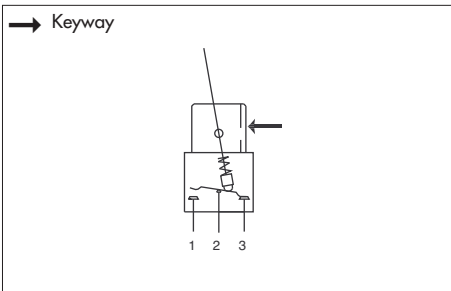
Packaging unit : 25 pieces.

The company reserves the right to change specifications without notice.

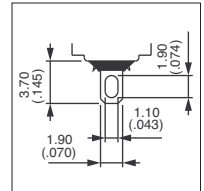


10600 series

Professional toggle switches - threaded bushing Ø 10 (.393)



- Solder lug terminals
- 2 and 3 positions
- 1 and 2 pole configurations
- Available with matt black finish : consult factory for model number



A

2 positions - single pole

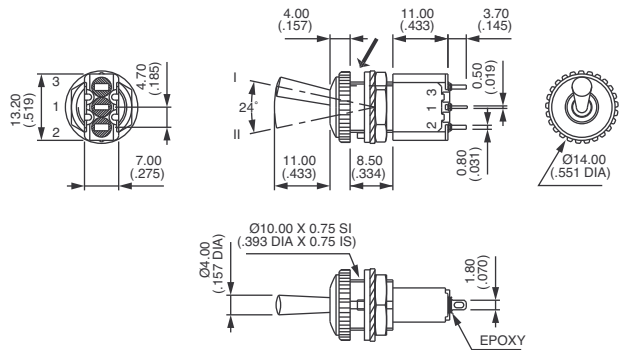


Silver contacts
106362103
106322103

Gold plated silver contacts
106361175
106321175

| | II | I |
|--|---------|----------|
| | 1-3 | 1-2 |
| | ON - ON | ON - MOM |
| | ON - ON | ON - MOM |

→ Keyway



2 positions - double pole

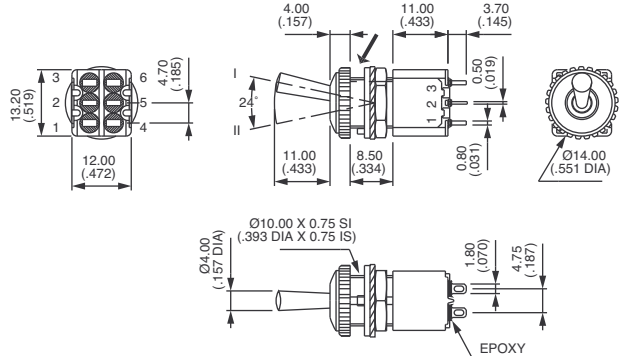


Silver contacts
106462103
106422103

Gold plated silver contacts
106461175
106421175

| | II | I |
|--|---------|----------|
| | 2-3 | 2-1 |
| | 5-6 | 5-4 |
| | ON - ON | ON - MOM |
| | ON - ON | ON - MOM |

→ Keyway



3 positions - single pole

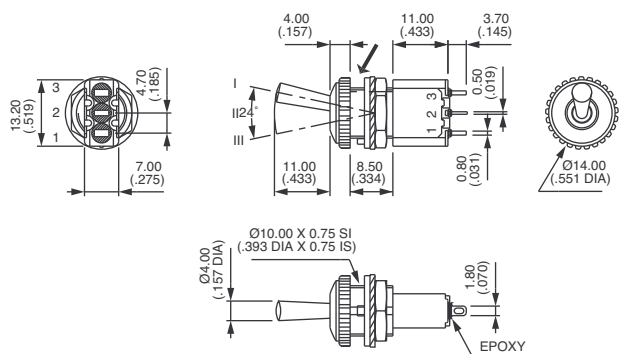


Silver contacts
106392103
106372103
106382103

Gold plated silver contacts
106391175
106371175
106381175

| | III | II | I |
|--|-------------|----|-------------|
| | 2-3 | | 2-1 |
| | ON OFF ON | | MOM OFF MOM |
| | MOM OFF MOM | | ON OFF MOM |
| | ON OFF ON | | MOM OFF MOM |
| | MOM OFF MOM | | ON OFF MOM |

→ Keyway



10600 series

Professional toggle switches - threaded bushing Ø 10 (.393)

3 positions - double pole

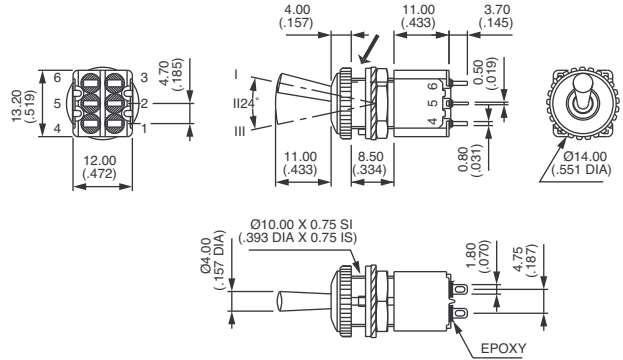
| | | | |
|-----|----|-----|----------|
| III | II | I | |
| 2-3 | | 2-1 | → Keyway |
| 5-6 | | 5-4 | |

Silver contacts

| | | | |
|-------------------|-------|-----|-------|
| 106492103 | ON | OFF | ON |
| 106472103 | MOM | OFF | MOM |
| 106482103 | ON | OFF | MOM |
| 106440886* | ON | ON | ON |
| | (2-3) | | (5-4) |

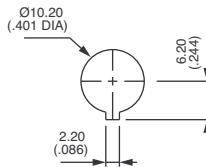
Gold plated silver contacts

| | | | |
|-------------------|-------|-----|-------|
| 106491175 | ON | OFF | ON |
| 106471175 | MOM | OFF | MOM |
| 106481175 | ON | OFF | MOM |
| 106440944* | ON | ON | ON |
| | (2-3) | | (5-4) |



* Function 4 : SP in DP case. Jumper between terminals 2 and 4 to be wired by the user.

PANEL CUT-OUT



X-ON Electronics

Largest Supplier of Electrical and Electronic Components

Click to view similar products for [Switch Fixings](#) category:

Click to view products by [Apem](#) manufacturer:

Other Similar products are found below :

[893102000](#) [00-5150](#) [LZZ1A](#) [0098.9234](#) [M2PA-5011](#) [630155](#) [635401](#) [6PA113](#) [6PA147-E6](#) [6PA148-E6](#) [6PA32](#) [6PA9](#) [700106](#) [700109](#)
[700303A56](#) [700C1GRY](#) [700C2GRN](#) [704-6001](#) [704.960.9](#) [704.965.2](#) [704.965.6](#) [704.966.0](#) [7089-3](#) [710082-B11](#) [71M1048](#) [757200264](#)
[764300000](#) [MHU35](#) [MHU37](#) [807039-1](#) [825.003.011](#) [825.005.011](#) [825.053.011](#) [825.055.011](#) [826.000.071](#) [827.020.011](#) [827.400.021](#)
[835.900.023](#) [MML52C10C](#) [MML52E10C](#) [MML92HGH](#) [MML93K](#) [84211M02CNNS](#) [84212M02CNNS](#) [84217A8.0LNOS](#) [842.500.011](#)
[843.000.011](#) [843187-000](#) [843487-000](#) [84-901](#)