

1200M/MR series

Robust momentary pushbutton switches •
metal plunger



DISTINCTIVE FEATURES

- Butt action contacts
- Double break
- UL and CSA approved



ELECTRICAL SPECIFICATIONS

- Max. current/voltage rating with resistive load :
 - silver contacts (A) : 4 A 250 VAC - 8 A 125 VAC - 4 A 24 VDC - 8 A 12 VDC
 - silver plated copper contacts (C) :
2 A 250 VAC - 3 A 125 VAC - 2 A 24 VDC - 3 A 12 VDC
- Initial contact resistance : 10 mΩ max.
- Insulation resistance : 1,000 MΩ min. at 500 VDC
- Dielectric strength :
 - 2,000 Vrms 50 Hz min. between terminals
 - 3,000 Vrms 50 Hz min. between terminals and frame
- Electrical life : 10,000 cycles at full load



GENERAL SPECIFICATIONS

- Torque : 1.50 Nm (1.10 Ft.lb) max. applied to nut
- Panel thickness : 4.5 mm (.177) max.
- Total travel :
 - NO : 4.5 mm (.177) ± 0.3 (.011)
 - NC : 3.5 mm (.137) ± 0.3 (.011)
- Operating temperature : -20 °C to +55 °C (-4 °F to +131 °F)



MATERIALS

- Case : polyamide
- Plunger : top chrome plated brass on polyamide base
- Bushing : brass, nickel plated
- Contacts :
 - A : silver
 - C : copper, silver plated
- Cap nut : brass, chrome plated

APEM products may be recycled at end-of-life for the re-claiming of valuable metal components.

The company reserves the right to change specifications without notice.



1200M/MR series

Robust momentary pushbutton switches • metal plunger



MOUNTING

- Panel cut-out : Ø 12.2 (.480)

AGENCY APPROVALS



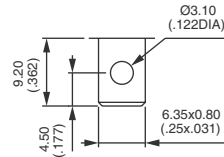
4 A 250 VAC - 8 A 125 VAC

Availability : approved models are 1213A and 1203A (M or MR) (model 1223A is only UL approved).

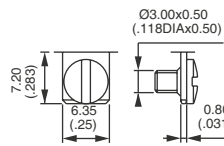
Marking : to order switches marked UL or CSA, complete appropriate box of ordering format.



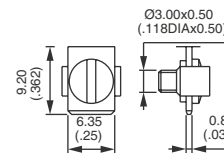
TERMINALS



Solderlug / quick-connect.



Screw

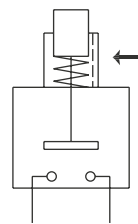


Screw + clamp

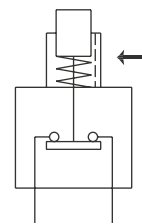


ELECTRICAL FUNCTIONS

→ KEYWAY



NO (function 3)



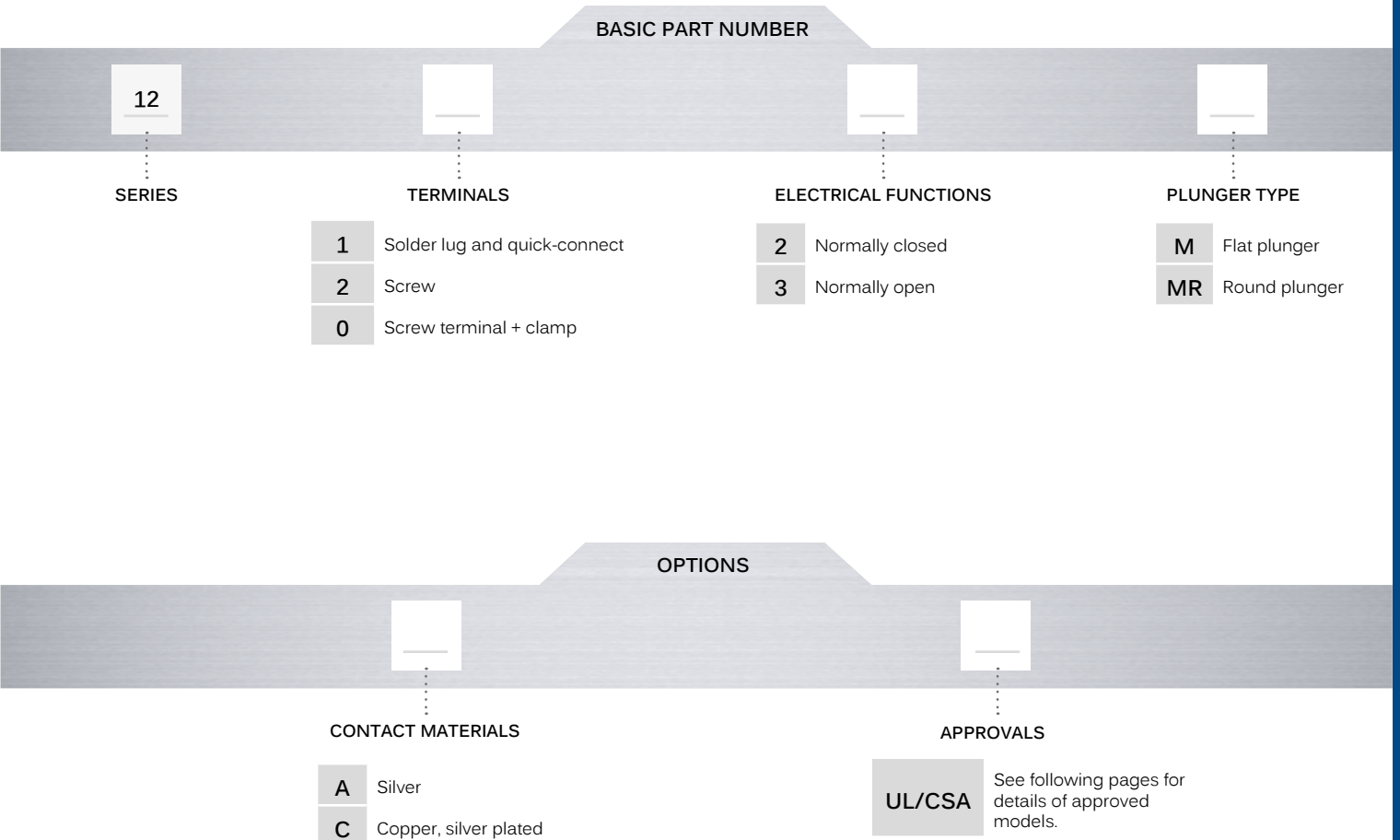
NC (function 2)

1200M/MR series

Robust momentary pushbutton switches • metal plunger



BUILD YOUR PART NUMBER



ABOUT THIS SERIES

On the following pages, you will find successively basic part numbers of switches and options in the same order as in above chart.



Notice : please note that not all combinations of above numbers are available. Refer to following pages for further information.



Mounting accessories : standard hardware supplied with all models : 1 hex nut U166 and 1 conic cap nut U1866-6. Special cap nut U1874 is presented on the following pages.

1200M/MR series

Robust momentary pushbutton switches • metal plunger

SOLDER LUG/QUICK-CONNECT TERMINALS 6.35 X 0.8 (.250 X .031)



Curved plunger

1212MR Normally Closed

1213MR Normally Open

Flat plunger

1212M Normally Closed

1213M Normally Open

SCREW TERMINALS



Curved plunger

1222MR Normally Closed

1223MR Normally Open

Flat plunger

1222M Normally Closed

1223M Normally Open

SCREW TERMINALS + CLAMP



Curved plunger

1202MR Normally Closed

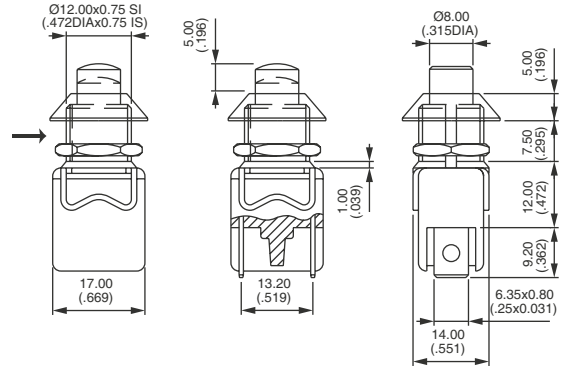
1203MR Normally Open

Flat plunger

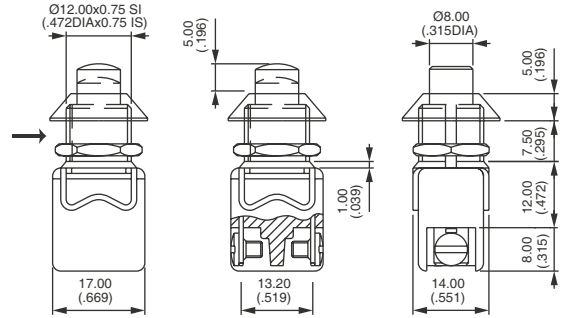
1202M Normally Closed

1203M Normally Open

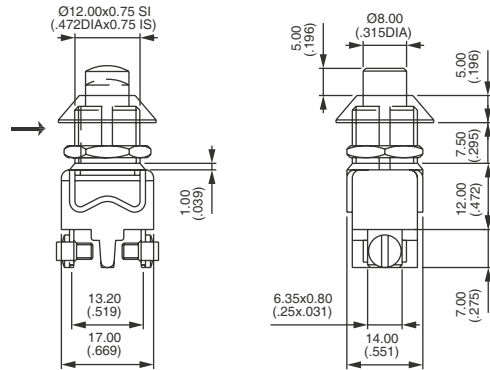
→ KEYWAY



→ KEYWAY



→ KEYWAY



1200M/MR series

Robust momentary pushbutton switches • metal plunger

CONTACT MATERIALS



- A Silver
- C Copper, silver plated

AGENCY APPROVAL



UL - CSA

Availability : approved models are 1213A and 1203A (M or MR) - model 1223A is only UL approved.

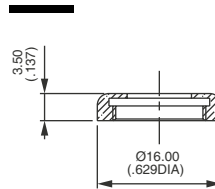
Marking : to order switches marked UL or CSA, complete above box with desired approvals.

SPECIAL CAP NUT

Order separately.

Chrome plated cap nut \varnothing 16 (.629), flat and plain.

Can be supplied instead of standard cap nut U1866-6.



U1874

X-ON Electronics

Largest Supplier of Electrical and Electronic Components

Click to view similar products for [Pushbutton Switches](#) category:

Click to view products by [Apem](#) manufacturer:

Other Similar products are found below :

[LW1L-M1C10V-A](#) [LW2L-A1C20M-GD](#) [LW2L-M1C20M-A](#) [60324L](#) [M7E-HRN2](#) [67021K512](#) [67081K512X](#) [701PB580](#) [719-5504-000](#)
[MDPSSGLFS](#) [810KSV30B](#) [FLT 2U EE 01A](#) [MML21KA3ABK](#) [MML23KA3AC05K-001](#) [MML23KW3AA01W](#) [8418K2](#) [8646AB6X718UL](#)
[8646ABUL](#) [FSDWH](#) [9001KXRK](#) [9001T8BK](#) [9533CD4+U574+U4922](#) [1203MRA](#) [A22EM01S](#) [A595](#) [1202A6](#) [12037A2ULCSA](#) [1203A2UL](#)
[ABD122N-B](#) [1211390004](#) [ABN111-Y](#) [ABN400-R](#) [1211500044](#) [1211580012](#) [1212MRA](#) [1232A6NF](#) [RA3CSH6A](#) [1241.1183.7047](#)
[1241.2511](#) [1241.3428](#) [1223A2ULCSA](#) [1223MRA](#) [1232AX2119](#) [1241.1183.8000](#) [1241.1183.8029](#) [1241.2506](#) [1241.2606](#) [12MA6](#)
[1301940184](#) [RELBARF6X10\(PLASTIC\)](#)