

1500 series

Toggle switches • insulated lever and bushing



DISTINCTIVE FEATURES

UL approved

Variety of actuator styles and colors

2 and 3 maintained positions



ELECTRICAL SPECIFICATIONS

- Max. current/voltage rating with resistive load :
5 A 12 VDC (10,000 cycles)
- Initial contact resistance : 10 mΩ max.
- Insulation resistance : 1,000 MΩ min. at 500 VDC
- Dielectric strength : 2,000 Vrms 50 Hz min. between terminals and between terminals and metal panel



GENERAL SPECIFICATIONS

- Torque : 0.95 Nm (0.700 Ft.lb) max. applied to nut
- Panel thickness : 4.5 mm (.177) between 2 nuts
- Operating temperature : -20 °C to +55 °C (-4 °F to +131 °F)



MATERIALS

- Case : polyamide
- Actuator : polyamide
- Bushing : polyamide
- Contacts : silver

AGENCY APPROVAL



6 A 125 VAC/250 VAC

Availability : all models.

Marking : to order switches marked UL, complete appropriate box of ordering format.

The company reserves the right to change specifications without notice.

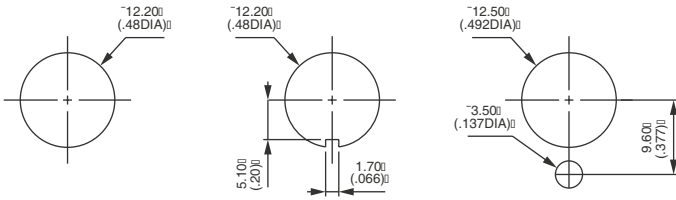


1500 series

Toggle switches • insulated lever and bushing

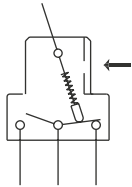


PANEL CUT-OUT

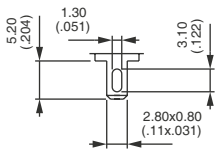


ELECTRICAL FUNCTIONS

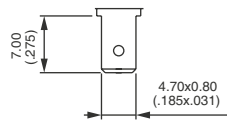
→ KEYWAY



TERMINALS



Solder lug



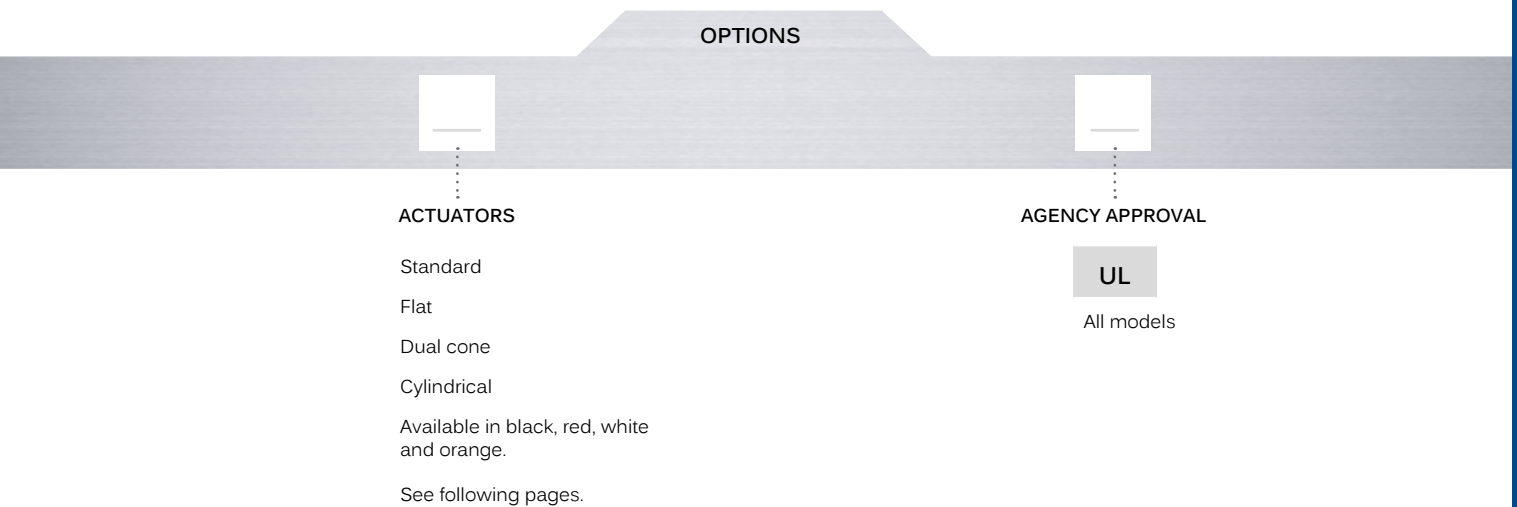
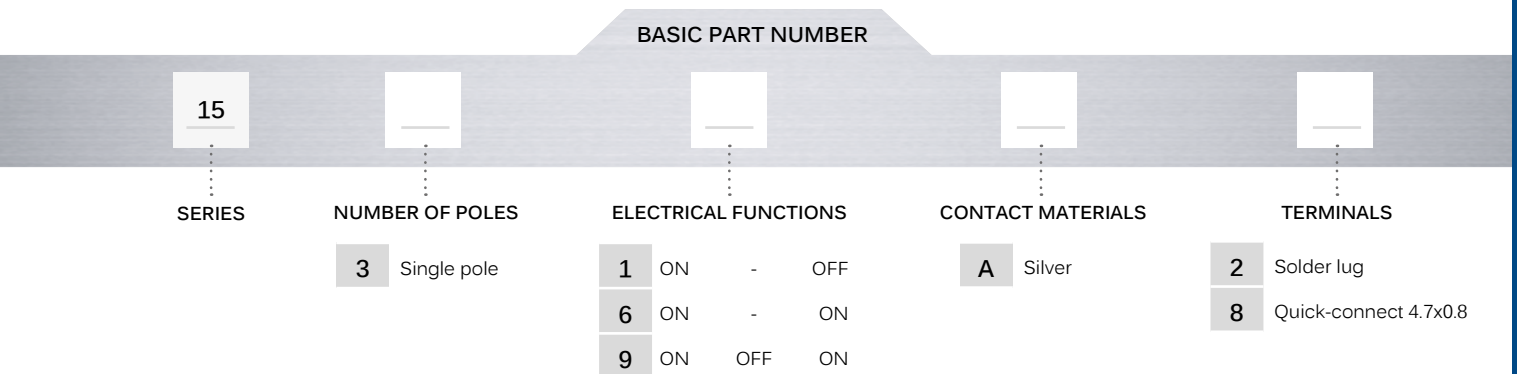
Quick-connect

1500 series

Toggle switches • insulated lever and bushing



BUILD YOUR PART NUMBER



ABOUT THIS SERIES

On the following pages, you will find successively basic part numbers of switches and options in the same order as in above chart.

- Sealing boots** are available to protect the switches against dust and water. See "Sealing Boots" section of website.
- Mounting accessories** : standard hardware supplied with all models : 1 hex nut U166 and 1 knurled nut U411. Standard and special hardware available is presented in the "Hardware" section of website.

1500 series

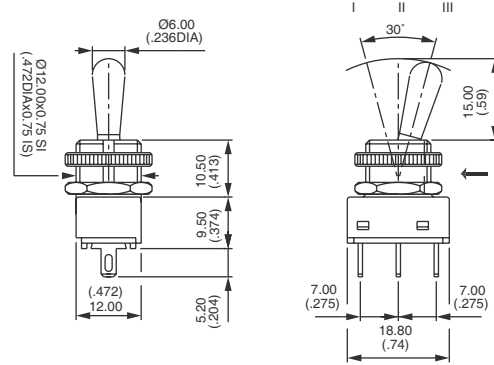
Toggle switches • insulated lever and bushing

SINGLE POLE - SOLDER LUG TERMINALS



	I	II	III
1531A2	ON	-	OFF
1536A2	ON	-	ON
1539A2	ON	OFF	ON

→ KEYWAY

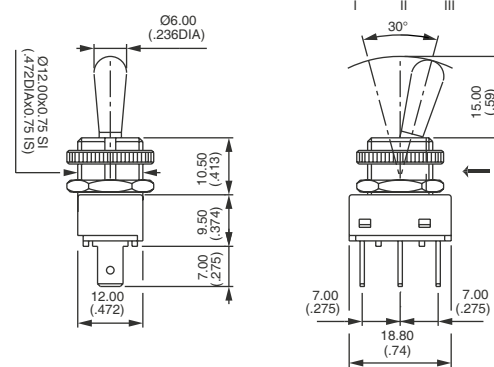


SINGLE POLE - QUICK-CONNECT TERMINALS 4.7 X 0.8



	I	II	III
1531A8	ON	-	OFF
1536A8	ON	-	ON
1539A8	ON	OFF	ON

→ KEYWAY



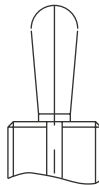
ACTUATORS

BASIC P/N



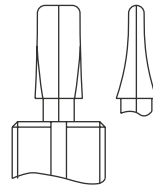
STANDARD

- L12 Black
- L16 Red
- L17 White
- L19 Orange
- L1N Brass, nickel plated



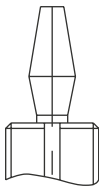
FLAT

- L22 Black
- L26 Red
- L27 White
- L29 Orange



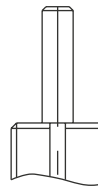
DUAL CONE

- L32 Black
- L36 Red
- L37 White
- L39 Orange



CYLINDRICAL

- L42 Black
- L46 Red
- L47 White
- L49 Orange



All in polyamide, except L1N.

1500 series

Toggle switches • insulated lever and bushing

AGENCY APPROVAL

BASIC P/N

UL

Availability : all models

Marking : to order switches marked UL, complete above box with desired approvals.

X-ON Electronics

Largest Supplier of Electrical and Electronic Components

Click to view similar products for [Toggle Switches](#) category:

Click to view products by [Apem](#) manufacturer:

Other Similar products are found below :

[8928K478](#) [020017-13](#) [60012L](#) [6006L](#) [CS115W](#) [CS120W](#) [637H/25](#) [6663](#) [7101SPDV30BE](#) [7103SDV30BE](#) [7105D](#) [7108P3YAV2BE](#)
[71YY50282](#) [7300K36](#) [7301K38](#) [7306K36](#) [7310K36](#) [7506K4](#) [7592K6](#) [7660K12](#) [7691K14](#) [7700K1](#) [8391K108](#) [8396K108](#) [8824K14](#)
[8828K13](#) [8835K3](#) [8858K44](#) [PS83-121G](#) [1-1825192-0](#) [A201SCWZB04](#) [A207SYCB04](#) [A208J61ZQ0004](#) [A221T1TCQ](#) [A232M1YCQ](#)
[A323S1CWZQ](#) [A423S1CWZG-M8](#) [1201W](#) [12156AX408](#) [12147AGKX679](#) [12246X778](#) [12TW49-3D](#) [130312](#) [13037L](#) [13001X](#)
[AE101MD1W4B04](#) [AE208SD1W4B04](#) [MS24659-22D](#) [MS27407-5](#) [1520230-9](#)