

1600-1700 series

Toggle switches • metal lever



DISTINCTIVE FEATURES

Reduced behind-panel space requirement (models with side terminals)

Optional insulated lever

Wiping contacts



ELECTRICAL SPECIFICATIONS

- Max. current/voltage rating with resistive load : 4 A 30 VDC
- Initial contact resistance : 10 mΩ max.
- Insulation resistance : 1,000 MΩ min. at 500 VDC
- Dielectric strength :
2,000 Vrms 50 Hz min. between terminals,
2,000 Vrms 50 Hz min. between poles and between terminals and lever
- Electrical life : 10,000 cycles at full load



GENERAL SPECIFICATIONS

- Torque : 1.50 Nm (1.10 Ft.lb) max. applied to nut
- Panel thickness : 5 mm (.196) max.
- Operating temperature : -20 °C to +55 °C (-4 °F to +131 °F)



MATERIALS

- Case : phenolic resin
 - Actuator :
1600 models : brass nickel plated
1700 models : polyamide
 - Bushing : brass, nickel plated
 - Contacts : phosphor bronze and brass, silver plated.
- APEM products may be recycled at end-of-life for the re-claiming of valuable metal components.

The company reserves the right to change specifications without notice.

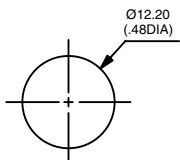


1600-1700 series

Toggle switches • metal lever

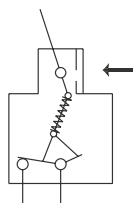


PANEL CUT-OUT

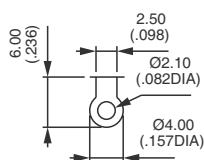


ELECTRICAL FUNCTIONS

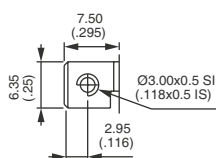
→ KEYWAY



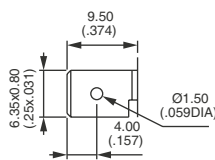
TERMINALS



Solder lug



Screw



Quick-connect



ABOUT THIS SERIES

- Sealing boots** are available on models 1600 to protect the switches against dust and water. See "Sealing boots" section of website.
- Mounting accessories** : standard hardware supplied with all models : 1 hex nut U166 and 1 knurled nut U411. It is presented in the "Hardware" section of website.



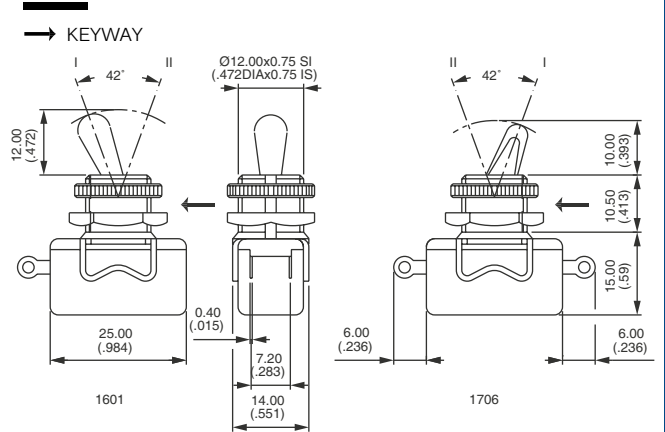
1600-1700 series

Toggle switches • metal lever

HORIZONTAL SOLDER LUG TERMINALS



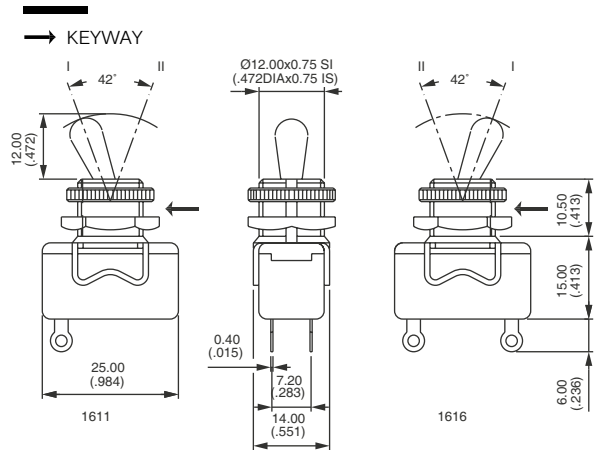
	Metal lever	Insulated black lever	I	II
	1601	1701	ON - OFF	
	1606	1706	ON - ON	



METAL LEVER VERTICAL SOLDER LUG TERMINALS



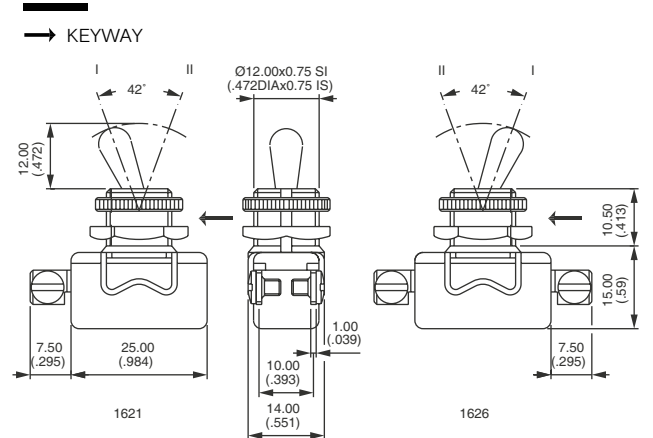
		I	II
	1611	ON - OFF	
	1616	ON - ON	



METAL LEVER HORIZONTAL SCREW TERMINALS



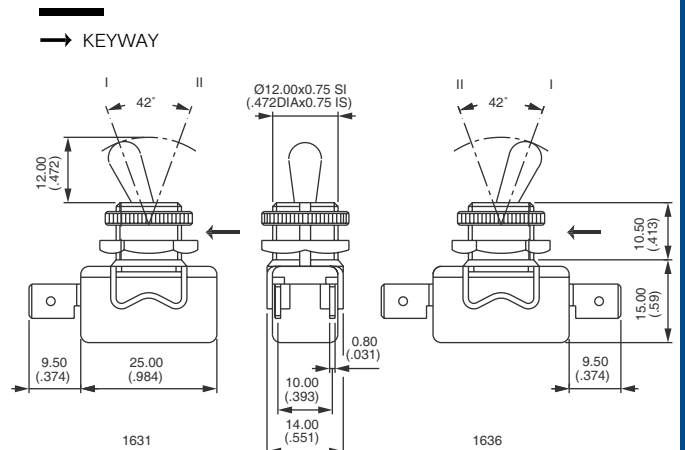
		I	II
	1621	ON - OFF	
	1626	ON - ON	



METAL LEVER HORIZONTAL QUICK-CONNECT TERMINALS



		I	II
	1631	ON - OFF	
	1636	ON - ON	



X-ON Electronics

Largest Supplier of Electrical and Electronic Components

Click to view similar products for [Toggle Switches](#) category:

Click to view products by [Apem](#) manufacturer:

Other Similar products are found below :

[8928K478](#) [020017-13](#) [60012L](#) [6006L](#) [CS115W](#) [CS120W](#) [637H/25](#) [6663](#) [7101SPDV30BE](#) [7103SDV30BE](#) [7105D](#) [7108P3YAV2BE](#)
[71YY50282](#) [7300K36](#) [7301K38](#) [7306K36](#) [7310K36](#) [7506K4](#) [7592K6](#) [7660K12](#) [7691K14](#) [7700K1](#) [8391K108](#) [8396K108](#) [8824K14](#)
[8828K13](#) [8835K3](#) [8858K44](#) [PS83-121G](#) [1-1825192-0](#) [A201SCWZB04](#) [A207SYCB04](#) [A208J61ZQ0004](#) [A221T1TCQ](#) [A232M1YCQ](#)
[A323S1CWZQ](#) [A423S1CWZG-M8](#) [1201W](#) [12156AX408](#) [12147AGKX679](#) [12246X778](#) [12TW49-3D](#) [130312](#) [13037L](#) [13001X](#)
[AE101MD1W4B04](#) [AE208SD1W4B04](#) [MS24659-22D](#) [MS27407-5](#) [1520230-9](#)