

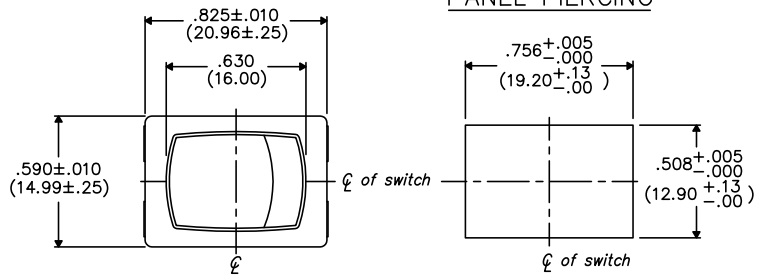
THIS INFORMATION IS CONFIDENTIAL AND PROPRIETARY TO CW INDUSTRIES INCORPORATED AND ITS AFFILIATES. IT MAY NOT BE DISCLOSED TO ANYONE OTHER THAN CW INDUSTRIES PERSONNEL, WITHOUT WRITTEN AUTHORIZATION FROM CW INDUSTRIES INCORPORATED, SOUTHAMPTON, PENNSYLVANIA, USA.

E  
D  
C  
B  
A

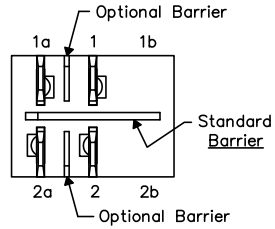
DIMENSIONS IN INCHES (MILLIMETERS)  
DO NOT SCALE DRAWING .....

Dwg. No.  
**GRS-4021-XXXX**

**PANEL PIERCING**



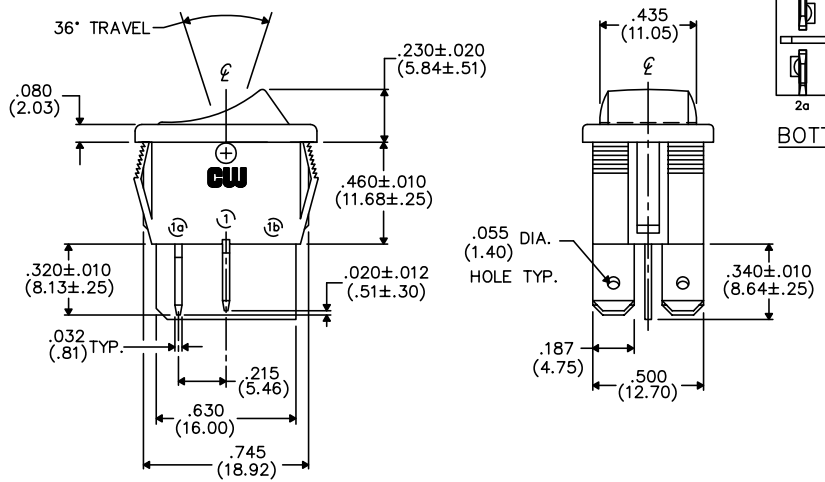
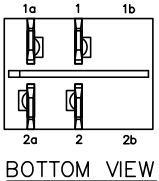
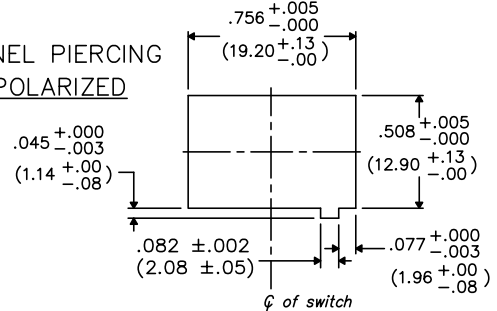
**OPTIONAL INSULATING BARRIER**



**MOUNTING PANEL THICKNESS**

Standard—.050" (1.27mm) to .150" (3.81mm).  
Optional Mounting Claws for Custom Panel thickness are available.

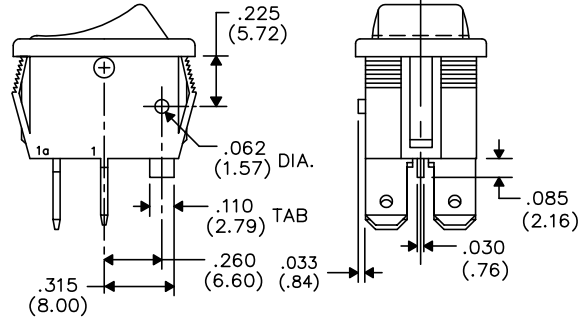
**PANEL PIERCING POLARIZED**



**TERMINAL OPTIONS:**

- .187" (4.75mm) x .032" (.81mm) Solderless
- .110" (2.79mm) x .032" (.81mm) Solderless
- .187" (4.75mm) x .020" (.51mm) Solderless
- .110" (2.79mm) wide with .048" (1.22mm) x .237" (6.02mm) Slot for Soldering

**TAB AND POLARIZATION OPTIONS**



1 2 3 4 5 6 7 8 9 10

B-FORMAT 2002	REVISIONS									
---------------	-----------	--	--	--	--	--	--	--	--	--

PDF FILE MADE	<b>CW INDUSTRIES</b> Southampton, Pa. 18966	Title: <b>ROCKER SWITCH ASSEMBLY D.P./S.T.</b>
	TOLERANCES UNLESS OTHERWISE SPECIFIED	
	2 Place Decimal ±.010 METRIC	
	3 Place Decimal ±.005 1 Place Dec. ±.25mm	
	Angles ..... ±1° 2 Place Dec. ±.13mm	
Made for: CW IND.	Division: <b>SWITCH</b>	
Drawn by: DGW 10-28-2010	Dwg. No. <b>GRS-4021-XXXX</b>	
Checked by:		
Approval:		

## X-ON Electronics

Largest Supplier of Electrical and Electronic Components

*Click to view similar products for [Switch Fixings](#) category:*

*Click to view products by [Apem](#) manufacturer:*

Other Similar products are found below :

[T92](#) [1302030523](#) [798204000](#) [843187-000](#) [843487-000](#) [MOR05](#) [GOUPILLE15X3G06](#) [A22L01AT1](#) [HG9Z-2K1](#) [12C1055-1](#) [12Q1452-2](#)  
[1301260038](#) [1437612-7](#) [1530AABB](#) [B1440204](#) [NALDENG-B-SPL](#) [PAPHC22](#) [PAPLCONN](#) [PARR3](#) [PAWP9](#) [PAYPR6](#) [K16-VP-NUT](#) [K18](#)  
[K35](#) [29Z2036-2](#) [A2268](#) [A3CT7122](#) [SP12](#) [2S09-09.0](#) [2SS09-08.0](#) [3-1437627-5](#) [39C1008-2](#) [MHU27](#) [BP1440804](#) [HWNP-SPL](#) [C0312.5](#)  
[C0620](#) [C0810](#) [U10313](#) [U1676](#) [U369](#) [U916](#) [K36](#) [K39](#) [46W1133-1](#) [03-0023](#) [108565](#) [U3402](#) [W46](#) [VVA9CMD-100](#)