

DT225 series

Desktop Trackball



DISTINCTIVE FEATURES

- Non contacting optical encoders
- Ergonomic and ambidextrous desktop design
- 2.25" diameter thermoset phenolic ball
- USB 2.0 protocol
- Stainless steel shaft and bearings



ENVIRONMENTAL SPECIFICATIONS

- Operating Temperature: -25 °C to +70 °C (-13 °F to +158 °F)
- Storage Temperature: -32 °C to +75 °C (-25.6 °F to +167 °F)
- FCC approved: Class B, subpart J of part 15



ELECTRICAL SPECIFICATIONS

- USB: Input: 4.75 V - 5.25 V @ 25 mA max;
Output: USB 2.0



MECHANICAL SPECIFICATIONS

- Dimensions: 5.0" W x 5.5" D x 2.7" H
- Mechanical: 5,000,000 180° rotations with 6 ounces of vertical force
- Tracking force: 11 grams
- Mass/Weight: 460 g (16.23 oz)
- Ball diameter: 2.25" (57.15 mm)
- Ball rotation: 360°



MATERIALS

- Housing: High impact ABS
- Ball: Thermoset phenolic resin
- Shafts: Polished stainless steel
- Bearings: Encased stainless steel

The company reserves the right to change specifications without notice.



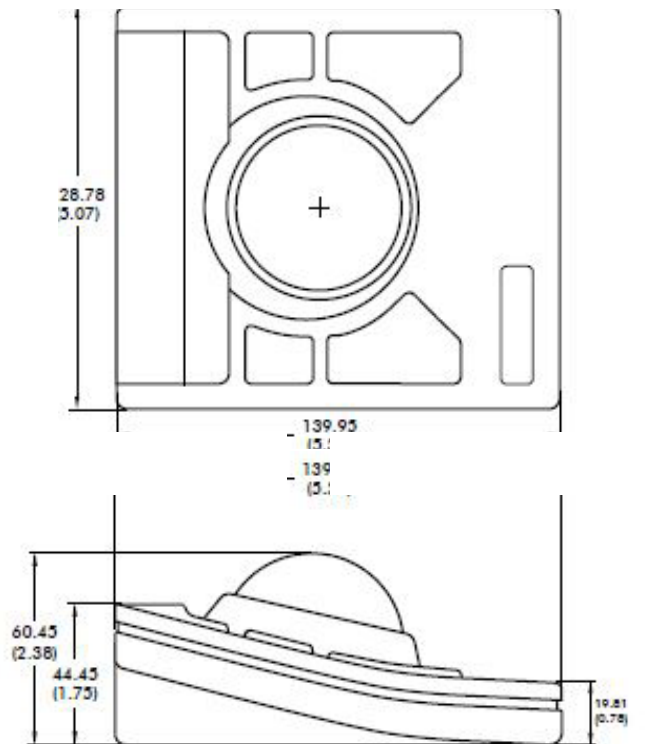
DT225 series

Desktop trackball

BUILD YOUR PART NUMBER

DT	225		X		V00	
SERIES	MODEL	PROTOCOL FORMAT	RESOLUTION	POWER REQUIREMENT	COLOR	
		7 USB 2.0	10 180 DPI 20 360 DPI 30 720 DPI		GRY Grey BLK Black	

DIMENSIONS



All dimensions are in mm /(inch).

X-ON Electronics

Largest Supplier of Electrical and Electronic Components

Click to view similar products for [Apem manufacturer](#):

Other Similar products are found below :

[48](#) [5D15F1534](#) [M11L0A1M](#) [M11L0C1M](#) [M21L0E1C](#) [M31L0M1M](#) [CW-A0BK1A00A0](#) [MAA6B](#) [MAB6B](#) [8436A](#) [A029301](#)
[A1PCA0X106J103](#) [Q22F1BXXY12E](#) [Q22F1CXXB24E](#) [Q8P1BXXY110E](#) [Q8R1BXXG28E](#) [Q8R3BXXG02E](#) [121442RA](#) [HF-33S10](#)
[HF44R11](#) [HF45R10](#) [HFX44S00](#) [12246X778](#) [DMR10](#) [DSR04T](#) [AV0830C900](#) [AV19810KMZB](#) [MSS22](#) [BD150A01RE0000](#) [HS1T24GA](#)
[1D09034](#) [1K11](#) [1Z03](#) [NZAB1475](#) [NZAB1477](#) [9433CDB](#) [9533NCDK4](#) [LP1503N20V00SHIM](#) [LPI3124G1K247XX](#) [A0212X](#) [A0273](#)
[FG2035](#) [1ZCS16LM118](#) [Q6F3CXXY12E](#) [Q6P5BXXSG24E](#) [QS81XXY24](#) [HF-11S10](#) [HF33S11](#) [HF45S40U](#) [HG-44MIS000-U-2655](#)