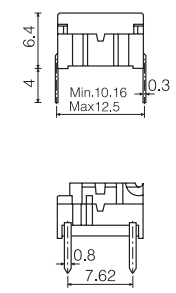
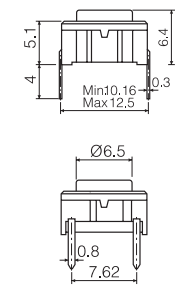
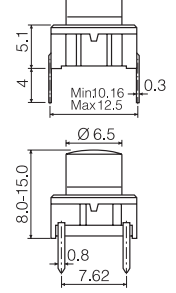
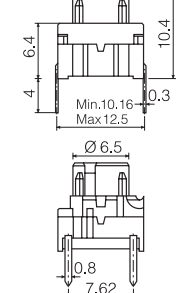
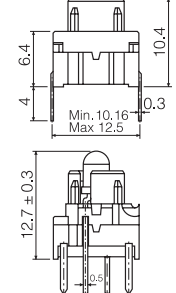
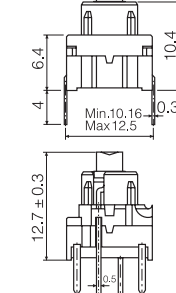
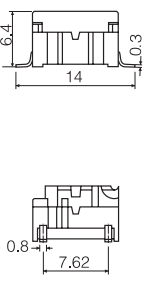
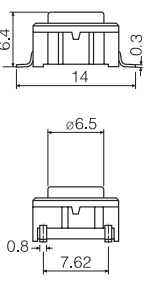
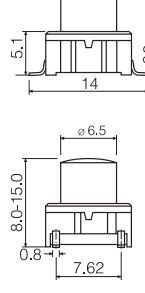
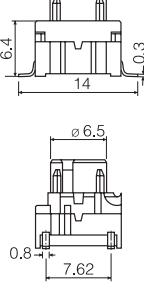
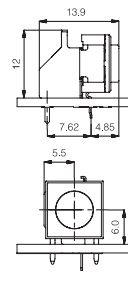
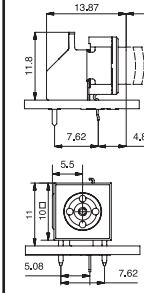
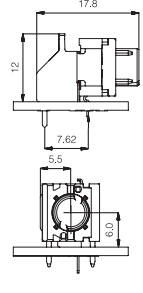
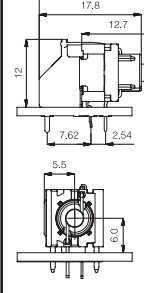
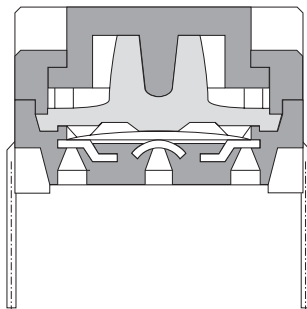


Through-hole Versions					
3A	3C	3E	3F		
For: 1A/1B/1M/1ZA/1ZB		For: 3E actuators/ Varimec	For:1D/1GA/1GC/1K/ 1N/1P/1S/1T/1U/1V/ 1WA/1WD/1WP/ 1X/ 1ZC	w/LED for 1D/1E/1F/ 1N/1Q/1R/1S/1X	w/LED for 1K/1KB/ 1KC/1T/1U/1V/ 1WA/1WD/1WP
					
Standard Version					
3ATL6 3ATH9	3CTL6/3CTL9 3CTH9	3ETLXX-H* 3ETHXX-H*	3FTL6 3FTH9	3FTL600/20/40/60/ 80/2040/8020/8040	3FTL623/45/88
* 3E available in 6 standard heights: 08.0, 09.5, 10.4, 11.0, 12.0, 15.0 mm. Other heights between 08.0 and 15.0 are available upon request.					
Specials: Gold contacts, quiet version and actuation force other than 3.0N					

Surface Mount Versions				Right Angle Versions			
3A	3C	3E	3F	3C	3E	3F	3F w/LED
For: 1A/1B/1M/1ZA/ 1ZB		For: 3E actuators/ Varimec	For: 1D/1K/1N/ 1P/1S/1T/1U/ 1V/1WA/1WD/ 1WP/1X/1ZC/ 1GA/1GC		For: 3E actuators/ Varimec	For: 1D/1K/1N/ 1P/1S/1T/1U/ 1V/1WA/1WD/ 1WP/1X/1ZC/ 1GA/1GC	For: 1D/1E/1F/ 1N/1Q/1R/1S
							
Standard Versions				Standard Versions			
3ASH9 3ASH9R	3CSH9 3CSH9R	3ESH9 3ESH9R	3FSH9 3FSH9R	3CTL6RAS	3ETXX-X.XRAS	3FTL6RAS	3FTL600/20/40/ 60/80/2040/ 8020/8040RAS

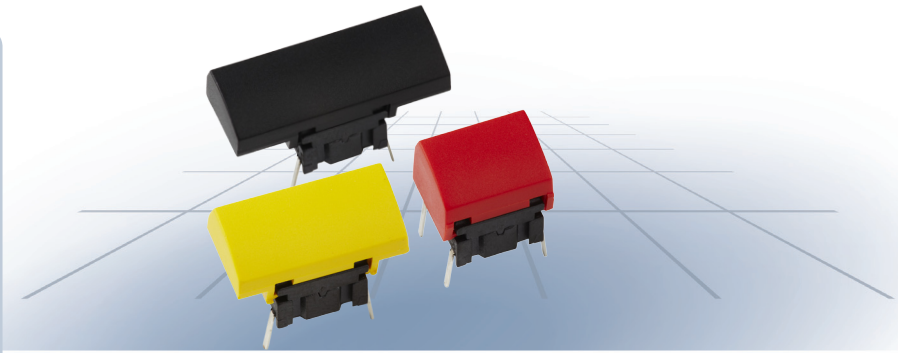
Co-planarity = ≤0.05 DIMENSIONS (mm) Unless otherwise specified, all tolerances ±0.2

multimec® Cross Sections

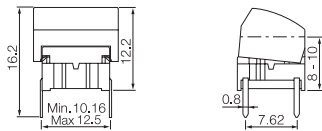


Technical Data

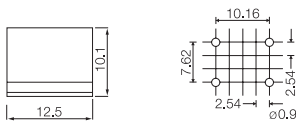
- through-hole or SMD
- 50mA/24VDC
- single pole/momentary
- 10.000.000 operations life time
- IP67 sealing
- temperature range:
 - low temp: -40/+115°C
 - high temp: -40/+160°C



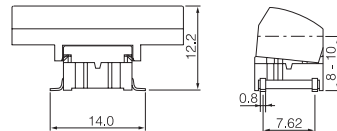
Dimensions (through-hole) 1A



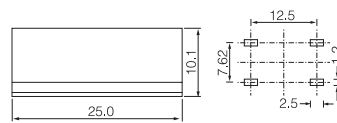
PCB layout



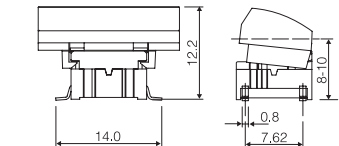
Dimensions (SMD) 1M



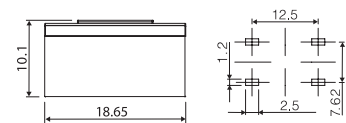
PCB layout



Dimensions (SMD) 1ZA



PCB layout



How to order

3 A

Switch

Mounting

T through-hole

S surface mount

L 6 low temp.
H 9 high temp.

+

1 A

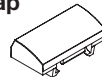
Cap



- 00 blue
- 02 green
- 03* grey
- 04 yellow
- 06* white
- 08 red
- 09* black

1 Z A

Cap



- 30* ultra blue
- 40* dusty blue
- 42* aqua blue
- 32 mint green
- 33 tele grey
- 34 melon
- 38 noble red

- 50* metal dark blue
- 53* metal light grey
- 57* metal dark grey
- 58* metal bordeaux

*) Colours for 1ZA

3 A

Switch

Mounting

T through-hole

S surface mount

L 6 low temp.
H 9 high temp.

+

1 M

Cap

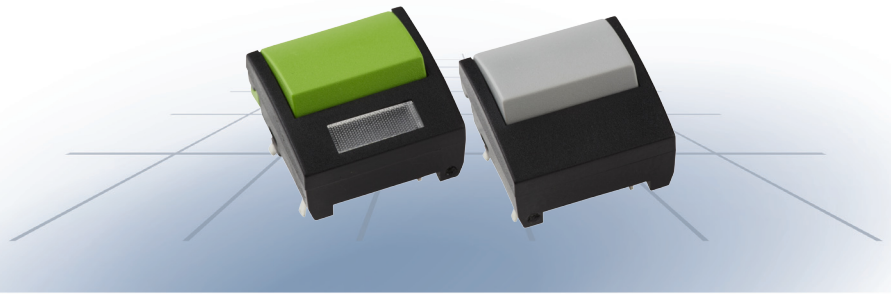


- 00 blue
- 02 green
- 03 grey
- 04 yellow
- 06 white
- 08 red
- 09 black

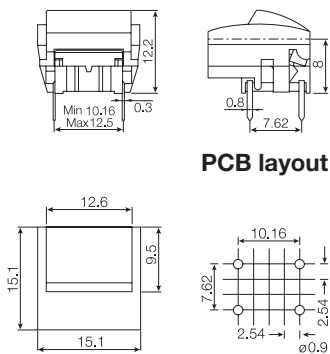
Ordering example: 3ATL6+1ZA40

Technical Data

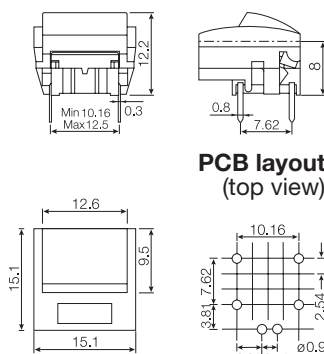
- through-hole or SMD
- 50mA/24VDC
- single pole/momentary
- 10.000.000 operations life time
- IP67 sealing
- temperature range:
 - low temp: -40/+115°C
 - high temp: -40/+160°C



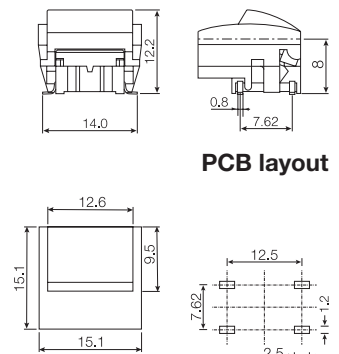
Dimensions (through-hole)



Dimensions w/LED PCB mounted (2D)



Dimensions (SMD)



How to order

3 A	<input type="checkbox"/>	<input type="checkbox"/>	+	1 B	<input type="checkbox"/>	+	2 C	<input type="checkbox"/>	For 1B and 2C only:	
Switch	Mounting	L 6 low temp. H 9 high temp.		Cap	00 blue 02 green 03 grey 04 yellow 06 white 08 red 09 black		Bezel	00 blue 02 green 03 grey 04 yellow 06 white 08 red 09 black	30 ultra blue 40 dusty blue 42 aqua blue 32 mint green 33 tele grey 34 melon 38 noble red	50 metal dark blue 53 metal light grey 57 metal dark grey 58 metal bordeaux

3 A	<input type="checkbox"/>	<input type="checkbox"/>	+	1 B	<input type="checkbox"/>	+	2 D	<input type="checkbox"/>	<input type="checkbox"/>
Switch	Mounting	L 6 low temp. H 9 high temp.		Cap	00 blue 02 green 03 grey 04 yellow 06 white 08 red 09 black		Bezel	00 blue 02 green 03 grey 04 yellow 06 white 08 red 09 black	Lens 1 transparent 2 green 4 yellow 6 frosted white 8 red
							+	2 D X X X	
								LED for 2B bezel	20 green 40 yellow 80 red

Ordering example: 3ATL6+1B02+2D091

X-ON Electronics

Largest Supplier of Electrical and Electronic Components

Click to view similar products for [Tactile Switches](#) category:

Click to view products by [Apem](#) manufacturer:

Other Similar products are found below :

[5GTH92001](#) [5GTH9202242](#) [1-1977120-4](#) [ADTSA62RV](#) [ADTSA63KV](#) [ADTSA644NV](#) [ADTSMW66NV](#) [ADTSMW67RV](#) [B3F-3123](#) [B3F-6055A](#) [B3F-B32-01-KIT](#) [1977177-8](#) [1977266-1](#) [ADTS644KV](#) [ADTSA61RV](#) [ADTSA62KV](#) [ADTSA63NV](#) [ADTSA63RV](#) [ADTSM21NSVTR](#) [ADTSM32NVTR](#) [ADTSM63SVTR](#) [ADTSM644KVTR](#) [ADTSMW64RV](#) [ADTSMW69NV](#) [FSMRA4JHA04](#) [GS4.70F300QP](#) [3ESH9R](#) [506E00201](#) [MJTP1164TR](#) [3FTL600RAS](#) [3FTL640RAS](#) [Y96K132V0FPLFS](#) [101-TS5022T1601-EV](#) [5GSH92001](#) [KSJ0A231](#) [80SH LFG](#) [EVQ-P1D05K](#) [MJTP1162TR](#) [ADTSM63KV](#) [2-1977120-7](#) [TSJW-5.2-260-TR](#) [KMT011MNGJLHS](#) [ADTSA648RV](#) [70-201.0](#) [ADTSM62KSVTR](#) [ATA600VTR](#) [ADTSG66RV](#) [ADTS61NV](#) [ADTSM62KVTR](#) [ADTSM25KSVB](#) [ADTS65RV](#)