

# 5000M series

Miniature toggle switches •  
threaded bushing Ø 11.9 mm



## DISTINCTIVE FEATURES

Bushing Ø 11.9 (15/32)

Panel mounting and PCB terminal combination available

1 to 4 pole configurations

UL and CSA approved



## ELECTRICAL SPECIFICATIONS

- Current/voltage rating with resistive load :

Contact	Maximum	Minimum	Level*
Silver (A)	4 A 30 VDC	50 mA 10 VDC	III and IV
Silver, gold plated (AD)	4 A 30 VDC Gold plating withstands up to 100 mA 30 VDC	10 mA 50 mV 10 µA 5 V	I to IV
Brass, gold plated (CD)	0.4 VA at 20 VAC or DC	10 mA 50 mV 10 µA 5 V	I and II

\*For details, see Technical Information on website.

- For inductive, lamp or capacitive load, consult factory.
- Initial contact resistance : 10 mΩ max.
- Insulation resistance : 1,000 MΩ min. at 500 VDC
- Dielectric strength :  
1,000 Vrms 50 Hz min. between terminals  
1,500 Vrms 50 Hz min. between poles  
1,500 Vrms 50 Hz min. between terminals and frame
- Contact bounce : 2 ms max.
- Electrical life at full load :  
50,000 cycles for single and double pole  
40,000 cycles for 3 pole  
30,000 cycles for 4 pole
- Low level or mechanical life : 100,000 cycles



## GENERAL SPECIFICATIONS

- Torque : 1.25 Nm (.922 Ft.lb) max. applied to nut
- Panel thickness : up to 6 mm (.236)
- Operating temperature : -40 °C to +85 °C (-40 °F to +185 °F)

The company reserves the right to change specifications without notice.



# 5000M series

Miniature toggle switches • threaded bushing Ø 11.9 mm



## MATERIALS

- Case : diallyphthalate (DAP) or high temperature plastic material (UL94-V0)
- Actuator : brass, nickel plated
- Bushing : brass, nickel plated
- Housing : stainless steel or steel tin plated
- Contacts
  - A : silver
  - AD : silver, gold plated
  - CD : brass, gold plated
  - X814 : for peak currents, see "Special options".
- Terminal seal : epoxy

## AGENCY APPROVALS



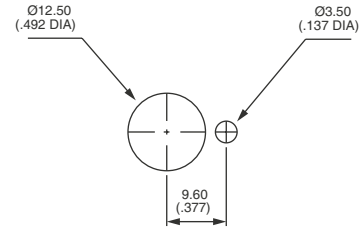
3 A 250 VAC, 6 A 125 VAC

**Availability** : consult factory for details of approved models.

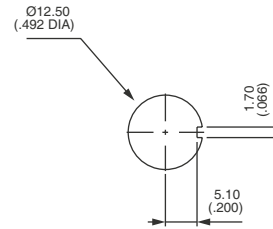
**Marking** : to order switches marked UL or CSA, complete appropriate box of ordering format. The preferential list does not appear on the switches.



## PANEL CUT-OUT



Standard

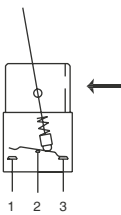


With K sealing option

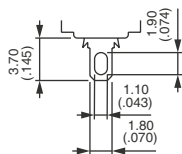


## ELECTRICAL FUNCTION

→ KEYWAY



## TERMINALS



# 5000M series

Miniature toggle switches • threaded bushing Ø 11.9 mm



## BUILD YOUR PART NUMBER

**BASIC PART NUMBER**

<div style="border: 1px solid black; padding: 5px; width: 40px; margin: 0 auto;">5</div> <p>SERIES</p>	<div style="border: 1px solid black; padding: 5px; width: 40px; margin: 0 auto;"> </div> <p>TERMINALS</p>	<div style="border: 1px solid black; padding: 5px; width: 40px; margin: 0 auto;"> </div> <p>NUMBER OF POLES</p>	<div style="border: 1px solid black; padding: 5px; width: 40px; margin: 0 auto;"> </div> <p>TERMINALS</p>	<div style="border: 1px solid black; padding: 5px; width: 40px; margin: 0 auto;"> </div> <p>MOMENTARY FOR FUNCTION 4</p>										
<p>2 Straight PC terminals, 4.70 (.185) terminal spacing - On request.</p> <p>6 Solder lug terminals</p>	<p>3 Single pole</p> <p>4 Double pole</p> <p>5 Three pole</p> <p>6 Four pole</p>	<p>M Solder lugs with Ø 11.9 (15/32) bushing</p>	<p>1R ON ON MOM</p> <p>2R MOM ON MOM</p> <p>Leave blank for other functions.</p>											
<p><b>ELECTRICAL FUNCTIONS</b></p> <table border="0" style="width: 100%;"> <tr> <td style="width: 25%;">6 ON - ON</td> <td style="width: 25%;">8 ON OFF MOM</td> </tr> <tr> <td>9 ON OFF ON</td> <td>2 ON - MOM</td> </tr> <tr> <td>7 MOM OFF MOM</td> <td>4 ON ON ON MOM ▲ ON ON MOM ▲</td> </tr> </table>			6 ON - ON	8 ON OFF MOM	9 ON OFF ON	2 ON - MOM	7 MOM OFF MOM	4 ON ON ON MOM ▲ ON ON MOM ▲	<p><b>CONNECTIONS FOR FUNCTION 4</b></p> <table border="0" style="width: 100%;"> <tr> <td style="width: 20%;">TH Standard</td> <td></td> </tr> <tr> <td>CT Reversed</td> <td></td> </tr> </table> <p>For functions 4, 4-1R, 4-2R (leave blank for all other functions). Wiring diagrams, see Technical information on website.</p>		TH Standard		CT Reversed	
6 ON - ON	8 ON OFF MOM													
9 ON OFF ON	2 ON - MOM													
7 MOM OFF MOM	4 ON ON ON MOM ▲ ON ON MOM ▲													
TH Standard														
CT Reversed														
<p><b>Function 4</b> ▲ Must not have blank in «momentary» box. Wiring diagrams, see Technical information, on website.</p>														

**OPTIONS**

<div style="border: 1px solid black; padding: 5px; width: 40px; margin: 0 auto;"> </div> <p>CONTACT MATERIALS</p>	<div style="border: 1px solid black; padding: 5px; width: 40px; margin: 0 auto;"> </div> <p>FINISH</p>	<div style="border: 1px solid black; padding: 5px; width: 40px; margin: 0 auto;"> </div> <p>SEALING</p>	<div style="border: 1px solid black; padding: 5px; width: 40px; margin: 0 auto;"> </div> <p>LEVERS</p>	<div style="border: 1px solid black; padding: 5px; width: 40px; margin: 0 auto;"> </div> <p>AGENCY APPROVALS</p>
<p>A Silver</p> <p>AD Silver, gold plated</p> <p>CD Brass, gold plated</p>	<p>Blank Nickel plated</p> <p>G Black finish on bushing, actuator and hardware.</p>	<p>Blank No sealing</p> <p>K Front panel sealing by one O-ring and sealing washer</p> <p>B Epoxy sealed terminals</p>	<p>Blank (std) Length 17.5 (.688)</p> <p>-27 Length 11.7 (.460)</p>	<p>UL, CSA Availability : Consult factory for details of approved models.</p>



## ABOUT THIS SERIES

On the following pages, you will find successively basic part numbers of switches and options in the same order as in above chart.

⚠ **Notice:** please note that not all combinations of above numbers are available. Refer to the following pages for further information.

🔧 Mounting accessories : standard hardware supplied with all models : 2 hex nuts 14 mm (.551) across flats and 1 locking ring. Standard and special hardware is presented in the "Hardware" section of website.

# 5000M series

Miniature toggle switches • threaded bushing Ø 11.9 mm

## SOLDER LUG TERMINALS SINGLE POLE



5636M	III	-	I
5639M	2-3	II	1-2
5637M	ON	-	ON
5638M	MOM	OFF	MOM
5632M	ON	OFF	MOM
	ON	-	MOM

## SOLDER LUG TERMINALS DOUBLE POLE



5646M	III	-	I
5649M	2-3	II	1-2
5647M	5-6	-	4-5
5648M	ON	OFF	ON
5642M	MOM	OFF	MOM
5644M	ON	OFF	MOM
5644 M*	ON	-	MOM
5644M 1R*	ON	ON	ON
5644M 2R*	ON	ON	MOM
	MOM	ON	MOM

## SOLDER LUG TERMINALS THREE POLE



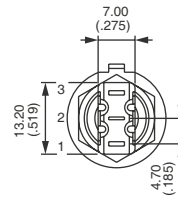
5656M	III	-	I
5659M	2-3	II	1-2
5657M	5-6	-	4-5
5658M	8-9	II	7-8
5652M	ON	-	ON
	ON	OFF	ON
	MOM	OFF	MOM
	ON	OFF	MOM
	ON	-	MOM

## SOLDER LUG TERMINALS FOUR POLE

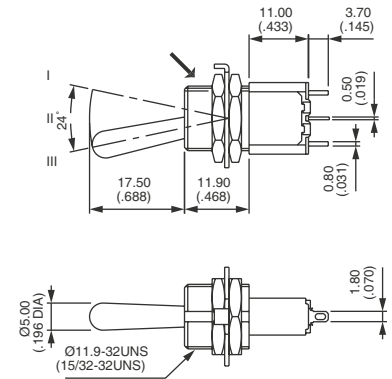


5666M	III	-	I
5669M	2-3	II	1-2
5667M	5-6	-	4-5
5668M	8-9	II	7-8
5662M	11-12	-	10-11
5664 M*	ON	-	ON
5664M 1R*	ON	ON	ON
5664M 2R*	ON	ON	MOM
	MOM	ON	MOM

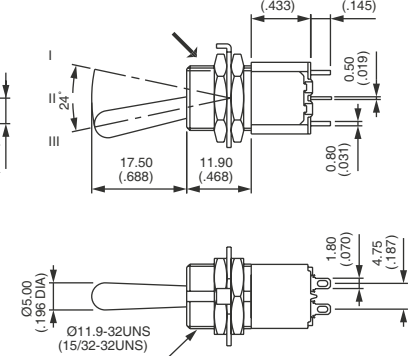
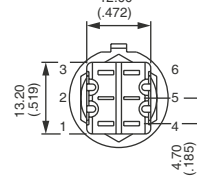
### KEYWAY



### Shown with standard lever

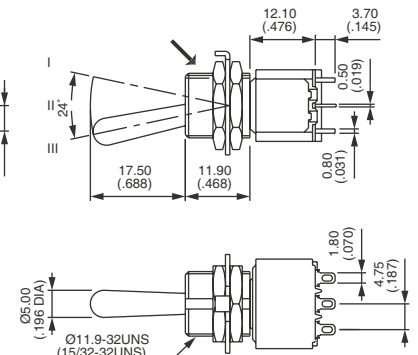
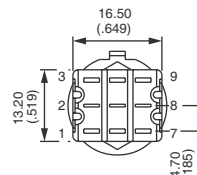


### KEYWAY

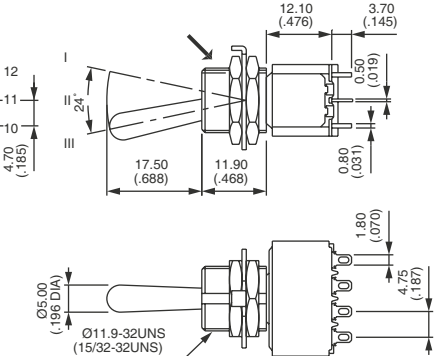
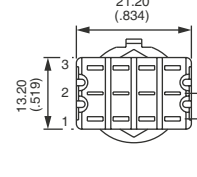


\*Function 4 : DP in 4P case - specify CT or TH connections, see "Technical information" on website.

### KEYWAY



### KEYWAY



\*Function 4 : DP in 4P case - specify CT or TH connections, see "Technical information" on website.

# 5000M series

Miniature toggle switches • threaded bushing Ø 11.9 mm

## CONTACT MATERIAL



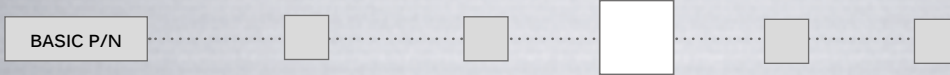
- A Silver
- AD Silver, gold plated
- CD Brass, gold plated

## FINISH

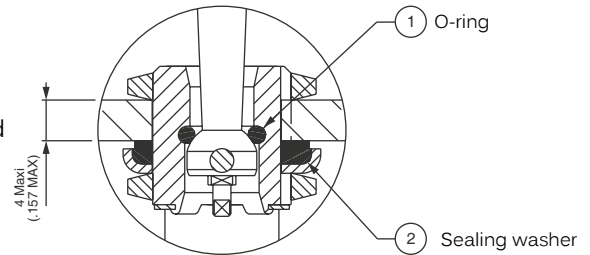


- Blank Nickel plated
- G Black finish on bushing, actuator and hardware

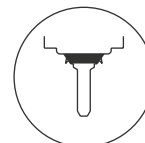
## SEALING



- Blank No sealing required
- K Keyway bushing, Includes washer **U60**  
Front panel sealing by one O-ring and sealing washer.  
Protects the switch against water and dust.  
Panel seal withstands 1 bar pressure and remains sealed even when switch is operated.
- B Epoxy sealed terminals
- KB Combined sealings

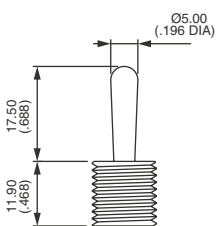


K

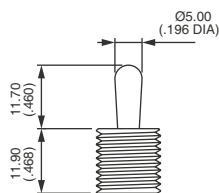


B

## LEVERS



Blank  
Standard



-27

# 5000M series

Miniature toggle switches •  
threaded bushing Ø 11.9 mm

## AGENCY APPROVALS



UL

CSA

Blank No agency approval required.

**Availability** : consult factory for details of approved combinations or options.

**Marking** : to order switches marked UL or CSA, complete above box with desired approvals, in this order & without space (ex. : ULCSA).

## X-ON Electronics

Largest Supplier of Electrical and Electronic Components

*Click to view similar products for [Toggle Switches](#) category:*

*Click to view products by [Apem](#) manufacturer:*

Other Similar products are found below :

[8928K478](#) [020017-13](#) [60012L](#) [6006L](#) [CS115W](#) [CS120W](#) [637H/25](#) [6663](#) [7101SPDV30BE](#) [7103SDV30BE](#) [7105D](#) [7108P3YAV2BE](#)  
[71YY50282](#) [7300K36](#) [7301K38](#) [7306K36](#) [7310K36](#) [7506K4](#) [7592K6](#) [7660K12](#) [7691K14](#) [7700K1](#) [8391K108](#) [8396K108](#) [8824K14](#)  
[8828K13](#) [8835K3](#) [8858K44](#) [PS83-121G](#) [1-1825192-0](#) [A201SCWZB04](#) [A207SYCB04](#) [A208J61ZQ0004](#) [A221T1TCQ](#) [A232M1YCQ](#)  
[A323S1CWZQ](#) [A423S1CWZG-M8](#) [1201W](#) [12156AX408](#) [12147AGKX679](#) [12246X778](#) [12TW49-3D](#) [130312](#) [13037L](#) [13001X](#)  
[AE101MD1W4B04](#) [AE208SD1W4B04](#) [MS24659-22D](#) [MS27407-5](#) [1520230-9](#)