

# 55000 series

VDE approved miniature toggle switches •  
threaded or plain bushing



## DISTINCTIVE FEATURES

VDE marked as standard

UL and CSA approvals also available

Single and double pole configurations



## ELECTRICAL SPECIFICATIONS

- Class I (normal insulation)
- Small contact opening :  $\mu$  (< 3 mm (.118))
- Current/voltage rating with resistive load : 3 A 250 VAC - 6 A 125 VAC
- Dielectric strength :  
2,000 Vrms 50 Hz min. between poles and between terminals and frame  
1,000 Vrms 50 Hz min. between terminals
- Special case for increased creepage distance and air gap : 3 mm (.118)



## GENERAL SPECIFICATIONS

- Insulating cap, compulsory, supplied glued on the lever :  
U270 for models 55600A, 55200A and 55200ZA  
U1040 for models 55200WA and 55200WA X433
- Ground connector : U721 compulsory if the panel is not metallic or not connected to ground
- Epoxy sealed terminals standard



## MATERIALS

- Contacts : silver
- Case : diallylphthalate (DAP)
- Actuator : brass, chrome plated with insulating vinyl cap
- Bushing : brass, nickel plated
- Housing : stainless steel
- Terminal seal : epoxy

**FURTHER SPECIFICATIONS : see 5000 series.**

The company reserves the right to change specifications without notice.



# 55000 series

VDE approved miniature toggle switches • threaded or plain bushing

## AGENCY APPROVALS



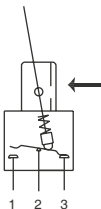
EN 61058-1

Complete appropriate box of ordering format.

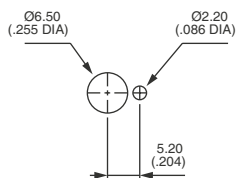


## ELECTRICAL FUNCTIONS

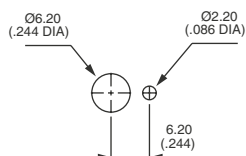
→ KEYWAY



## PANEL CUT-OUT



Bushing Ø 6.35 (1/4)



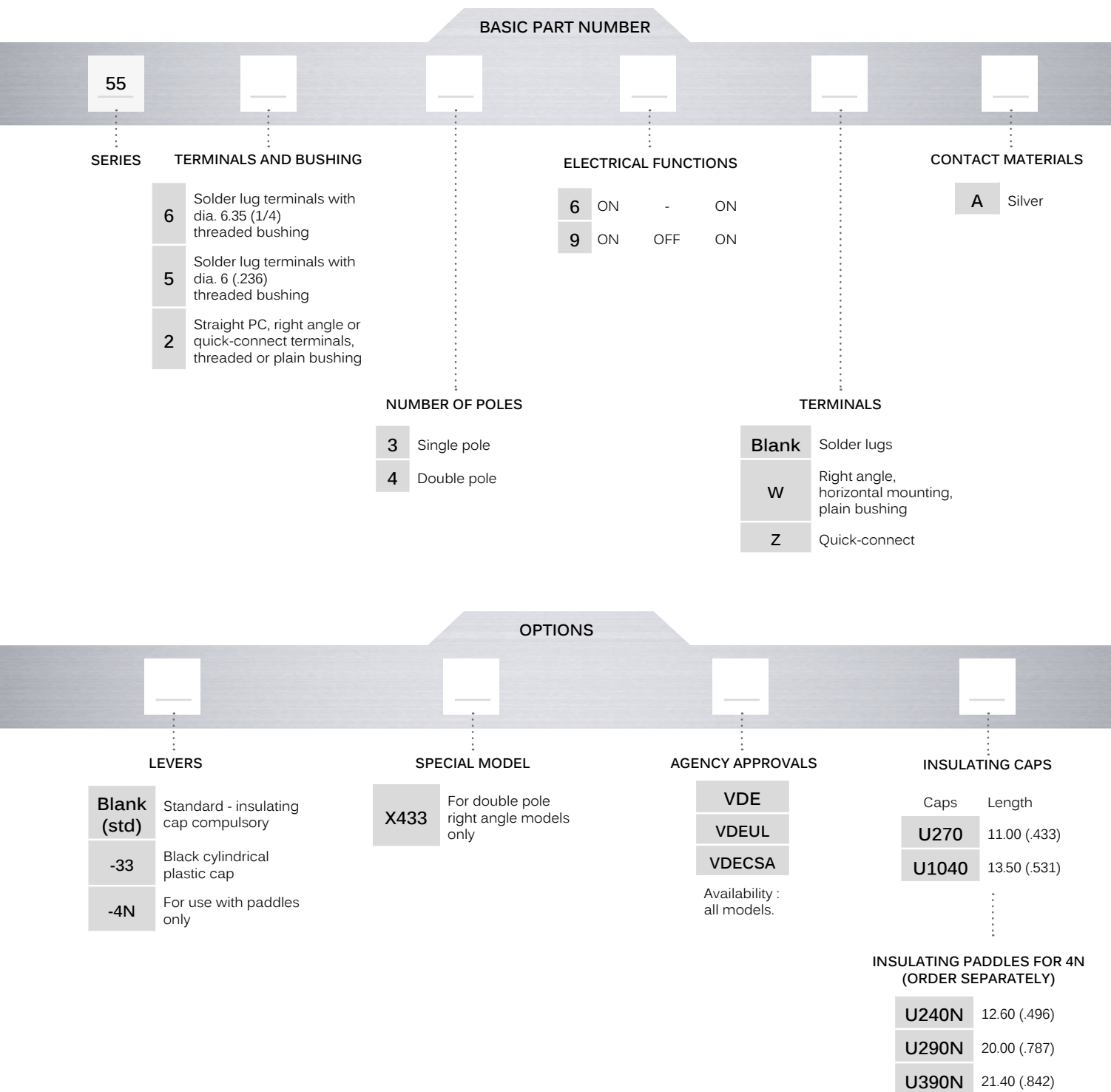
Bushing Ø 6 (.236)

# 55000 series

VDE approved miniature toggle switches • threaded or plain bushing



## BUILD YOUR PART NUMBER



## ABOUT THIS SERIES

On the following pages, you will find successively basic part numbers of switches and options in the same order as in above chart.

- ⚠ **Notice:** please note that not all combinations of above numbers are available. Refer to the following pages for further information.
- ⚙ **Mounting accessories:** standard hardware supplied with all threaded bushing models : 2 hex nuts 8 mm (.314) across flats, 1 locking ring and 1 lockwasher. Standard and special hardware is presented in the "Hardware" section of website.

# 55000 series

VDE approved miniature toggle switches • threaded or plain bushing

## THREADED BUSHING SOLDER LUG TERMINALS



	III	II	I	
Single pole	2-3		1-2	
Double pole	5-6		4-5	
<b>55636A</b>	<b>55646A</b>	ON	-	ON
<b>55639A</b>	<b>55649A</b>	ON	OFF	ON

Also available with Ø 6 mm (.236) bushing : 55500.

## THREADED BUSHING STRAIGHT PC TERMINALS



	III	II	I	
Single pole	2-3		1-2	
Double pole	5-6		4-5	
<b>55236A</b>	<b>55246A</b>	ON	-	ON
<b>55239A</b>	<b>55249A</b>	ON	OFF	ON

Also available with Ø 6 mm (.236) bushing : 55100.

## PLAIN BUSHING RIGHT ANGLE TERMINALS - HORIZONTAL



	III	II	I	
Single pole	2-3		1-2	
Double pole*	5-6		4-5	
<b>55236WA</b>	<b>55246WA X433</b>	ON	-	ON
<b>55239WA</b>	<b>55249WA X433</b>	ON	OFF	ON

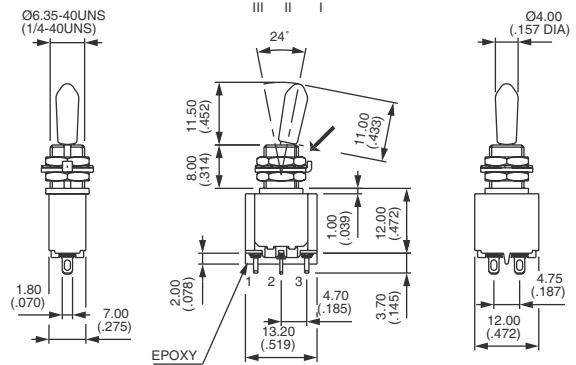
\* In double pole W models, spacing between poles on PCB is different from standard : 4,7 mm (.185) instead of 3,81 mm (.150)  
Also available for VERTICAL mounting (on request).

## THREADED BUSHING QUICK-CONNECT TERMINALS

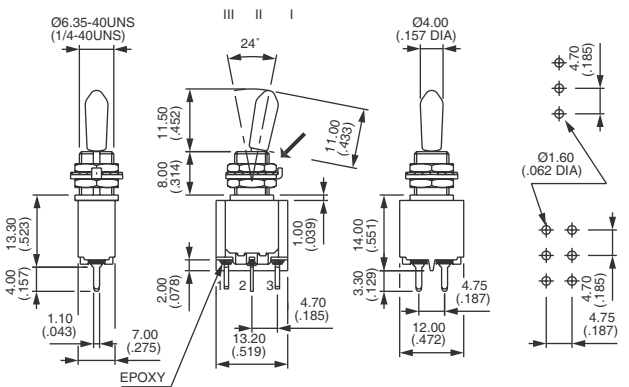


	III	II	I
Single pole	2-3		1-2
	5-6		4-5
<b>55236ZA</b>	ON	-	ON
<b>55239ZA</b>	ON	OFF	ON

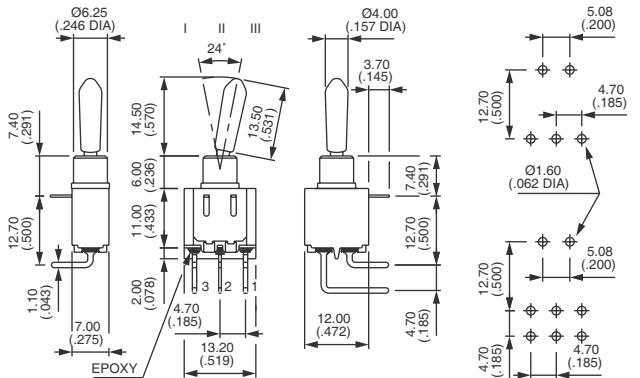
### KEYWAY



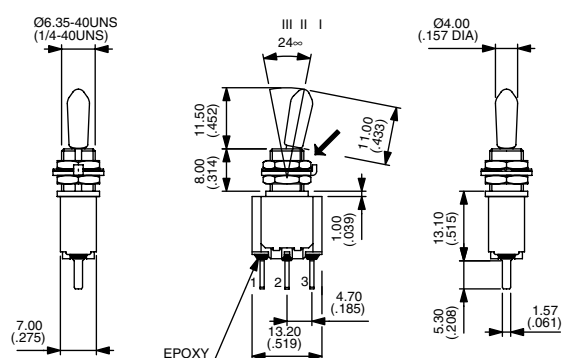
### KEYWAY



### KEYWAY



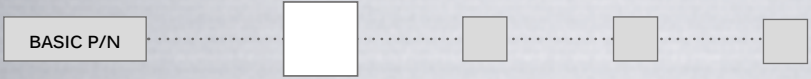
### KEYWAY



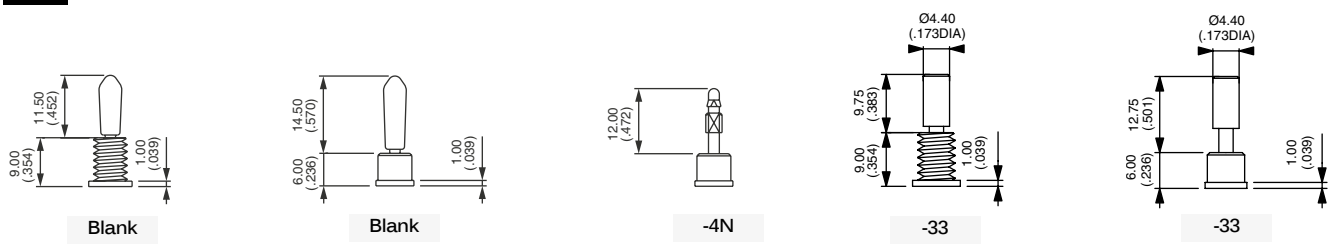
# 55000 series

VDE approved miniature toggle switches • threaded or plain bushing

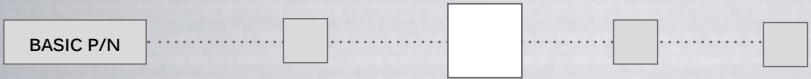
## LEVERS



- Blank** For threaded bushing models - Cap U270 compulsory
- Blank** For plain bushing models - Cap U1040 compulsory
- 4N** For use with paddles only
- 33** Black cylindrical plastic cap - For threaded bushing models
- 33** Black cylindrical plastic cap - For plain bushing models

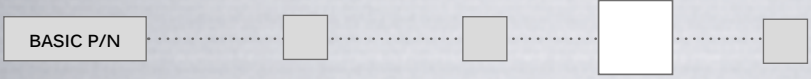


## SPECIAL MODEL



**X433** For double pole right angle models only.

## AGENCY APPROVALS



VDE  
VDEUL  
VDEULCSA

Complete above box with desired approvals.

## INSULATING CAPS

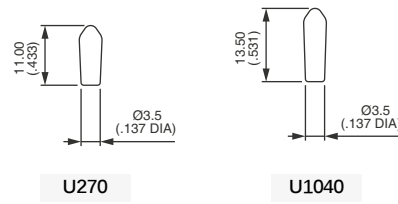


Compulsory - delivered assembled on the lever

- U270** For threaded bushing models
- U1040** For plain bushing models

For cap colors, replace "0" with number :

- 1 Blue
- 1/4 Dark blue
- 2 Black
- 3 Green
- 4 Grey
- 5 Yellow
- 7/1 White
- 9 Orange

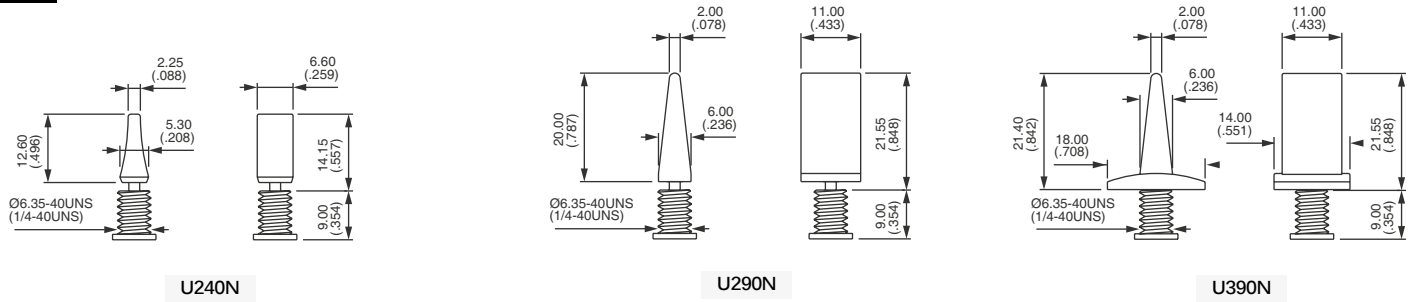


# 55000 series

VDE approved miniature toggle switches • threaded or plain bushing

## PADDLES

For use with lever 4N only. Shown with standard threaded bushing. Order separately.

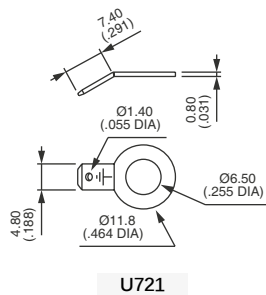


For cap colors, replace «0» with number :

- 1 Blue
- 1/4 Dark blue
- 2 Black
- 3 Green
- 4 Grey
- 5 Yellow
- 6 Red
- 7 Ivory
- 7/1 White
- 9 Orange

## GROUND CONNECTOR

IMPORTANT : compulsory on models with threaded bushing if the panel is not metallic or not connected to ground. Order separately.



U721

## X-ON Electronics

Largest Supplier of Electrical and Electronic Components

*Click to view similar products for [Toggle Switches](#) category:*

*Click to view products by [Apem](#) manufacturer:*

Other Similar products are found below :

[8928K478](#) [020017-13](#) [60012L](#) [6006L](#) [CS115W](#) [CS120W](#) [637H/25](#) [6663](#) [7101SPDV30BE](#) [7103SDV30BE](#) [7105D](#) [7108P3YAV2BE](#)  
[71YY50282](#) [7300K36](#) [7301K38](#) [7306K36](#) [7310K36](#) [7506K4](#) [7592K6](#) [7660K12](#) [7691K14](#) [7700K1](#) [8391K108](#) [8396K108](#) [8824K14](#)  
[8828K13](#) [8835K3](#) [8858K44](#) [PS83-121G](#) [1-1825192-0](#) [A201SCWZB04](#) [A207SYCB04](#) [A208J61ZQ0004](#) [A221T1TCQ](#) [A232M1YCQ](#)  
[A323S1CWZQ](#) [A423S1CWZG-M8](#) [1201W](#) [12156AX408](#) [12147AGKX679](#) [12246X778](#) [12TW49-3D](#) [130312](#) [13037L](#) [13001X](#)  
[AE101MD1W4B04](#) [AE208SD1W4B04](#) [MS24659-22D](#) [MS27407-5](#) [1520230-9](#)