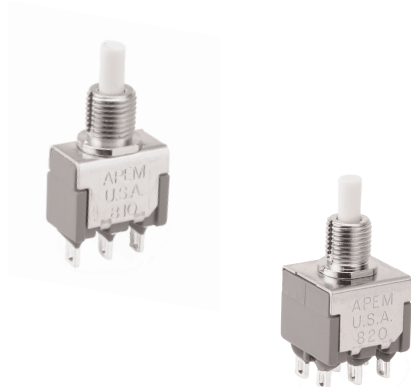


# 800 series

## Snap-action momentary pushbutton switches

*Distinctive features and specifications*



- Panel and PC mount models
- Snap-in panel mounting version
- Tactile feedback

### ELECTRICAL SPECIFICATIONS

- Max. current/voltage rating with resistive load :
  - gold over nickel plated brass contacts : 0.4VA - 20V max.
  - coin silver contacts : 6A 125VAC, 3A 250VAC, 7A 30VDC
- Initial contact resistance : 20 mΩ max.
- Insulation resistance : 2,000 MΩ min. between terminals & case ground.
- Dielectric strength : 1,500 VAC for 1 minute between terminals & case ground.
- Electrical life : 60.000 cycles at full load

### MATERIALS

- Case : DAP
- Actuator : polyamide, glass filled
- Bushing : brass, nickel plated
- Strap : stainless steel
- Bracket : tin plated steel or brass
- Contacts
  - B**: Gold
  - Q**: Coin Silver
- Terminal seal : epoxy

### GENERAL SPECIFICATIONS

- Total travel : 0.9mm (.035)
- Actuation force:
  - Single pole: 290+/- 75g
  - Double pole: 550+/- 75g
- Operating temperature : -30°C to +85°C
- Soldering : 300°C, 3 sec. max.

### AGENCY APPROVAL



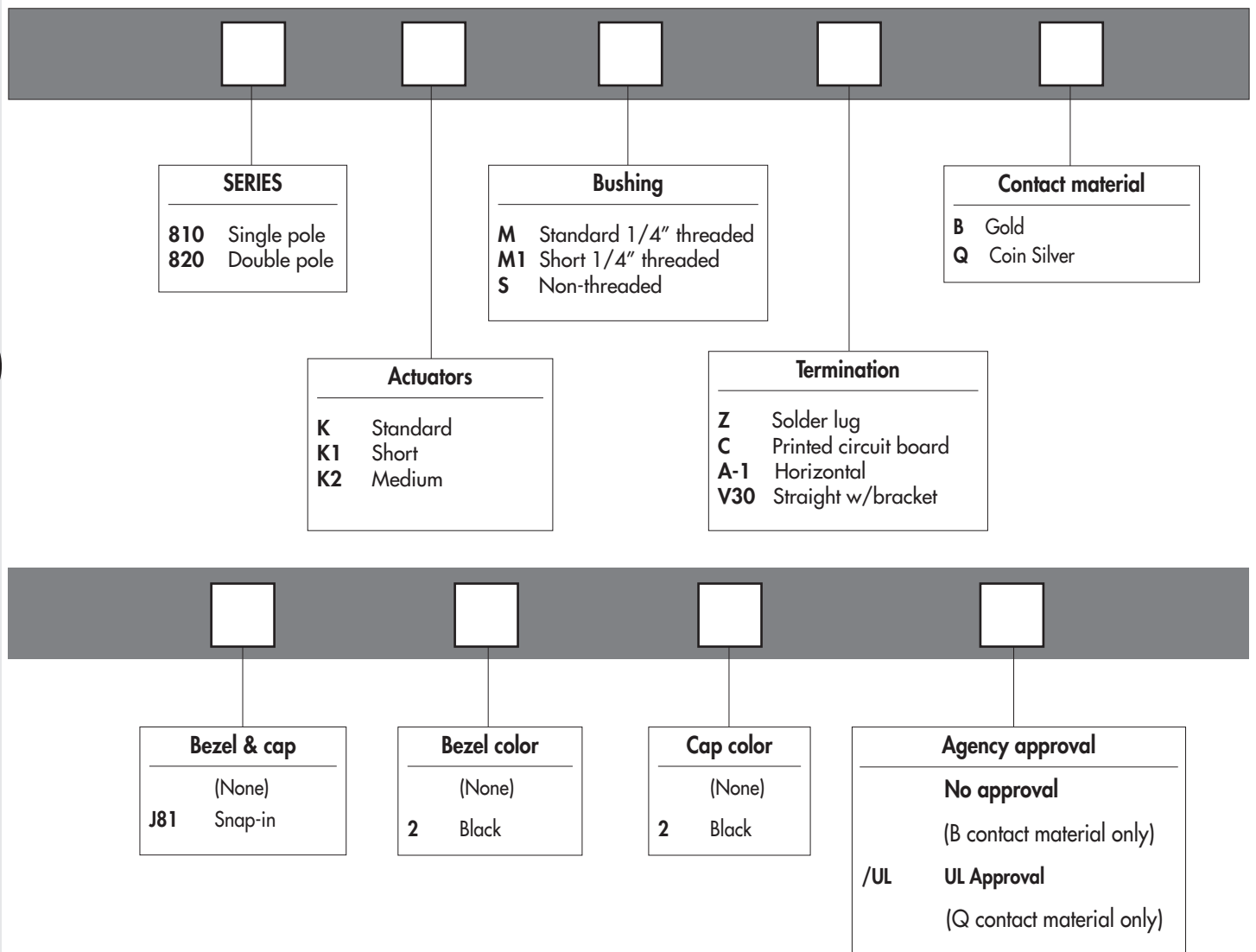
**Availability:** All models with coin silver contacts (Q) only.

**Marking:** To order switches marked UL, complete appropriate box on ordering format.

# 800 series

## Snap-action momentary pushbutton switches

B



### ABOUT THIS SERIES

On the following pages, you will find successively :

- model structure of switches
- options in the same order as in above chart

**Dimensions** : first dimensions are in mm while inches are shown as bracketed numbers.



**Sealing boots** are available to protect the switches against dust and water. They are presented in section H.



**Mounting accessories** : standard hardware supplied with all models with  $\varnothing 6,35$  (1/4) threaded bushing : 2 - 5/16" hex nuts , 1 locking ring and 1 lockwasher. Standard and special hardware available are presented in section I.



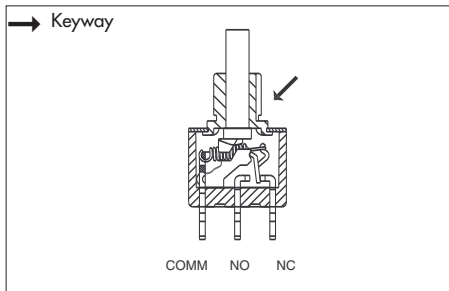
**Packaging unit** : 25 pieces for double pole  
50 pieces for single pole



**NOTICE** : please note that not all combinations of above numbers are available. Refer to the following pages for further information.

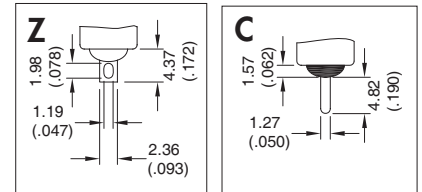
# 800 series

## Snap-action momentary pushbutton switches



### Terminations

- Solder lug or straight PC terminals
- Epoxy sealed terminals standard

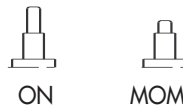


Shown with standard plunger (K)

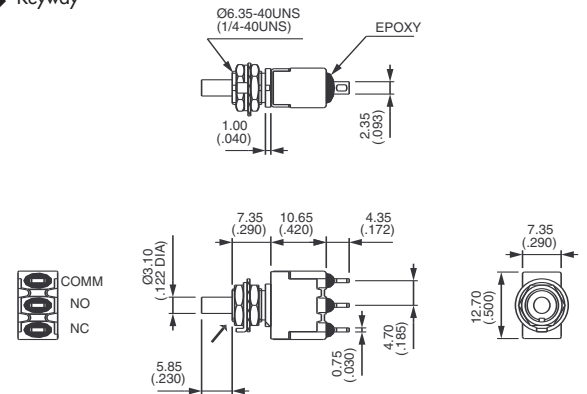
### Solder lug terminals



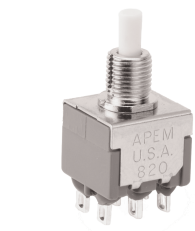
810KMZ



→ Keyway



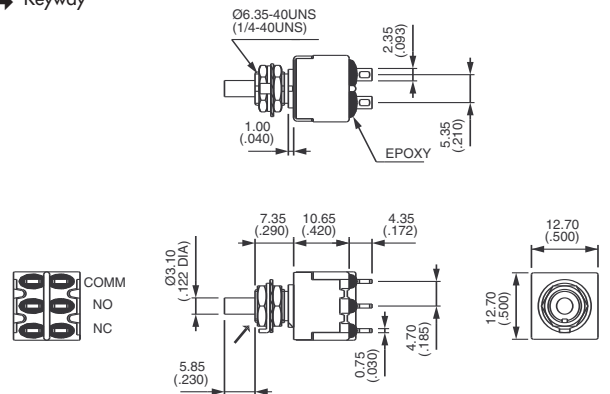
### Solder lug terminals



820KMZ



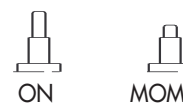
→ Keyway



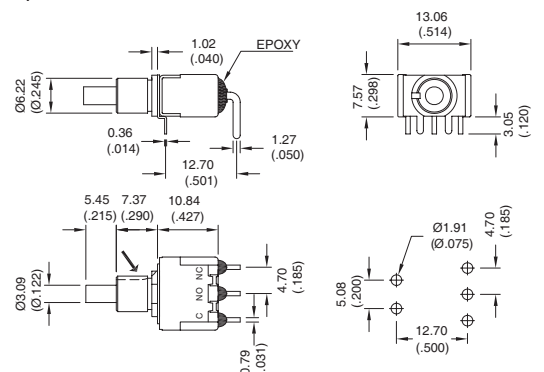
### Horizontal right angle



810KSA-1



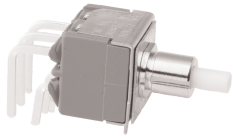
→ Keyway



# 800 series

## Snap-action momentary pushbutton switches

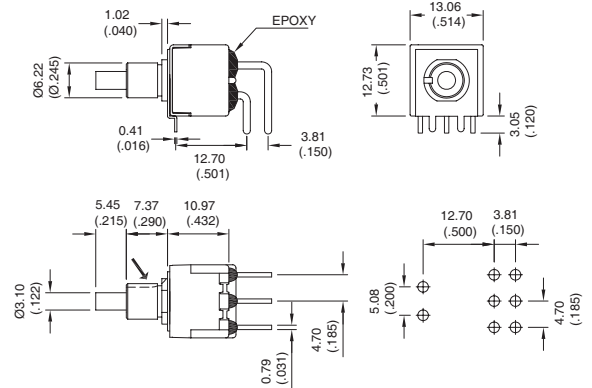
### Horizontal angle



820KSA-1



→ Keyway



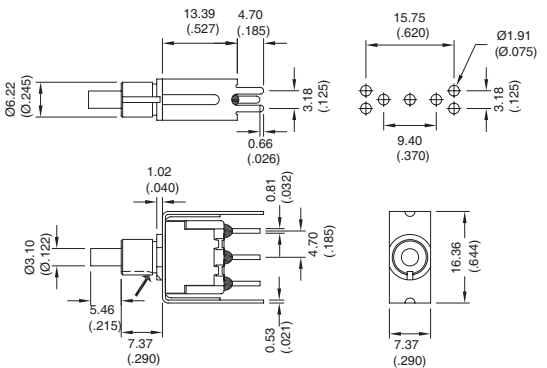
### Straight PC terminals with bracket



810KSV30



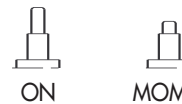
→ Keyway



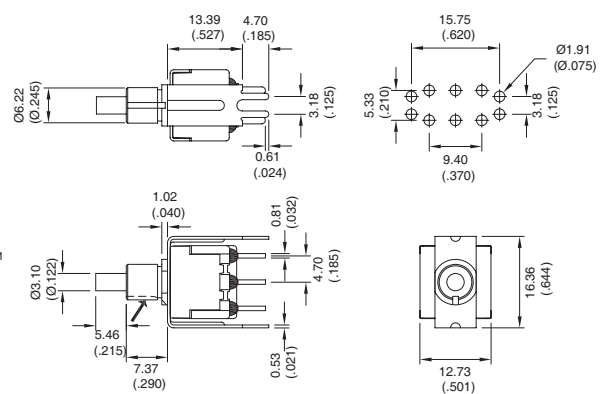
### Straight PC terminals with bracket



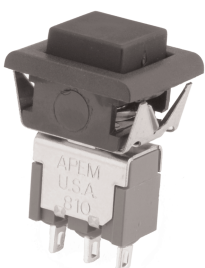
820KSV30



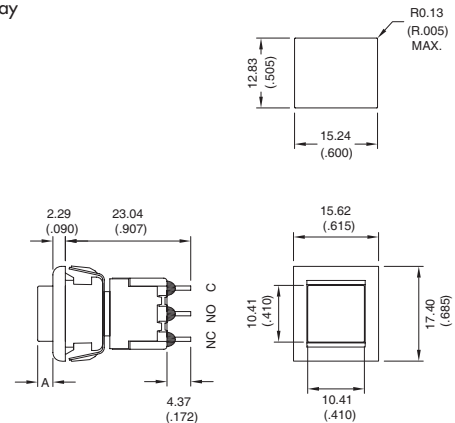
→ Keyway



### Solder lug terminals with snap-in bezel



→ Keyway



MODEL NUMBER	DIM. A
810K2M1ZQJ8122	2.54 [.100]
810K1M1ZQJ8122	0.25 [.010]

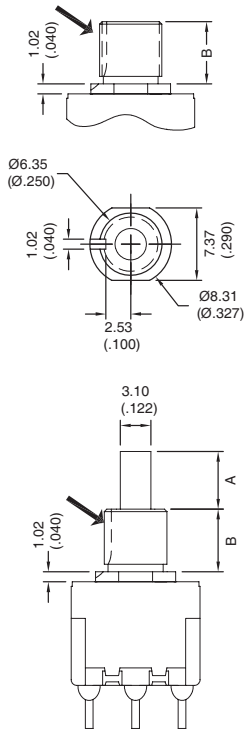
B

# 800 series

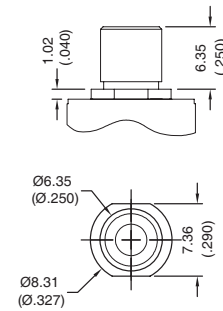
## Snap-action momentary pushbutton switches

### Actuator & bushing options

#### M & M1



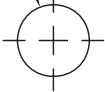
#### S



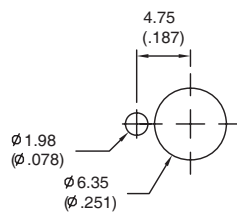
BUSHING OPTION	DIM. B	DIMENSION A ACTUATOR OPTION		
		K	K1	K2
M	6.35 (.250)	5.84 (.230)	.069 (1.75)	4.27 (.168)
S	6.35 (.250)	5.84 (.230)	.069 (1.75)	4.27 (.168)
M1	3.91 (.154)	8.18 (.322)	4.91 (.165)	6.70 (.264)

### Panel cut-outs

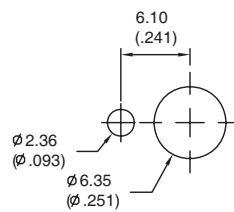
Ø 6.35  
(Ø .251)



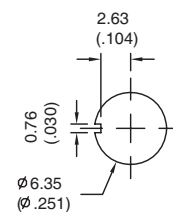
Without keying



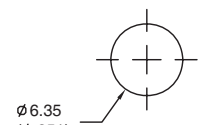
With A107 anti-rotating ring



With A158 anti-rotating ring



With slotted keyway



Accepts all 1/4" non-threaded bushings

### Contact materials

**B**

Dry circuit - gold over nickel over brass.

RATING: 0.4 Volt-Amps (VA) max. at 20 V max.

ELECTRIC LIFE: 60,000 cycles minimum. MECHANICAL LIFE: 500,000 cycles minimum.

**Q**

Power circuit - coin silver.

RATING: 6 Amps at 125 VAC, 3 Amps at 250 VAC or 7 Amps at 30 VDC (resistive loads).

ELECTRIC LIFE: 60,000 cycles minimum at full load.

# 800 series

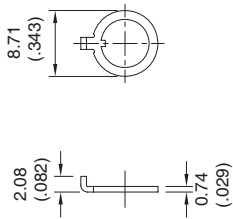
## Snap-action momentary pushbutton switches

### Approvals

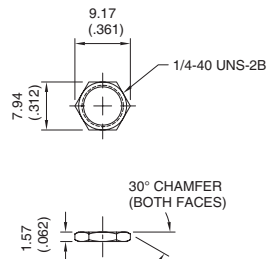
**/UL** For power circuits - coin silver  
RATING: 6 Amps at 125 VAC or 3 Amps at 250 VAC (75% power factor).  
Underwriter Laboratories file no. E66367. Note - applicable only to terminations with coin silver contacts (Q option).

### Hardware

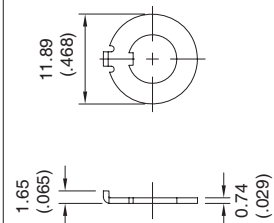
Anti-rotate ring A107  
Nickel plated brass 1/4



5/16" Hex nut A112  
Nickel plated brass 1/4-40



Anti-rotate ring A158  
Nickel plated brass 1/4



## X-ON Electronics

Largest Supplier of Electrical and Electronic Components

*Click to view similar products for [Pushbutton Switches](#) category:*

*Click to view products by [Apem](#) manufacturer:*

Other Similar products are found below :

[8940K2012](#) [LW1L-M1C10V-A](#) [LW1L-M1C70-A](#) [LW2L-A1C20M-GD](#) [LW2L-M1C20M-A](#) [60324L](#) [M22-D-R-GB0/K11](#) [M7E-HRN2](#)  
[67021K512](#) [67081K512X](#) [701PB580](#) [7190K101](#) [7199K101](#) [810K12910](#) [810KSV30B](#) [MML21EA2ADK](#) [MML21KA3ABK](#)  
[MML23KA3AC05K-001](#) [MML23KW3AA01W](#) [8418K2](#) [8442K3](#) [8450K1](#) [860K11911T01A](#) [861901](#) [861K11911T01A07](#)  
[861K13810T00A14](#) [861K13911](#) [8646AB6X718UL](#) [8646ABUL](#) [9001KXRK](#) [907AYY100](#) [PMHD155A1](#) [95-313.000](#)  
[9533CD4+U574+U4922](#) [95-414.000](#) [99-450.837](#) [99-453.837](#) [PV3H2B0NN-341](#) [1203MRA](#) [A22NZBGANGA](#) [A22NZBMMNGA](#)  
[A22NZBNANGA](#) [A22NZMPATRA](#) [A2PMA1X03EC56](#) [A3A-5123-02](#) [A3A-7140](#) [A3A-7310](#) [A3A-7340](#) [A3U-TMW-A2C-5M](#) [A595](#)