

9000 series

Momentary pushbutton switches

Distinctive features and specifications

UG1006-A



- Two case lengths
- Three electrical functions
- Sealing options
- Model X1146 with \varnothing 16 (.630) bushing

ELECTRICAL SPECIFICATIONS

- Max. current/voltage rating with resistive load :
 - silver contact (A) : 0,3A 250VAC - 0,6A 125VAC - 1A 30VDC
 - gold plated contacts (CD) : 100mA 30VDC
- Initial contact resistance : 50 m Ω max.
- Insulation resistance : 1.000 M Ω min. at 500VDC
- Dielectric strength :
 - 1.000 Vrms 50 Hz min. between terminals
 - 1.500 Vrms 50 Hz min. between terminals and frame
- Electrical life : 250.000 cycles

MATERIALS

- Case : thermoplastique UL94-V0
- Actuator : polyamide, glass filled
- Bushing : brass, nickel plated
- Contacts :
 - A : silver
 - CD : brass, gold plated
- Terminal seal : epoxy

GENERAL SPECIFICATIONS

- Total travel :

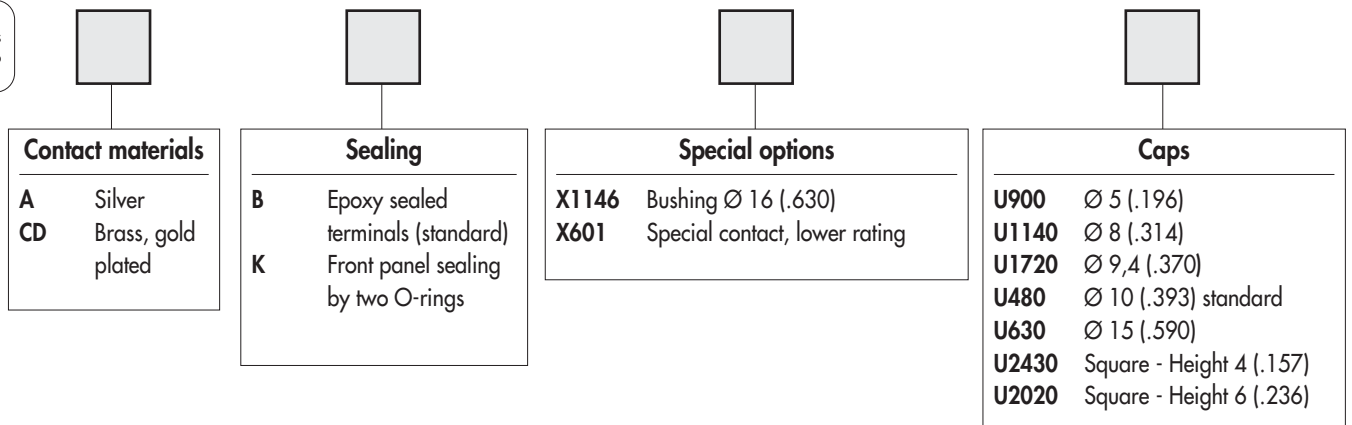
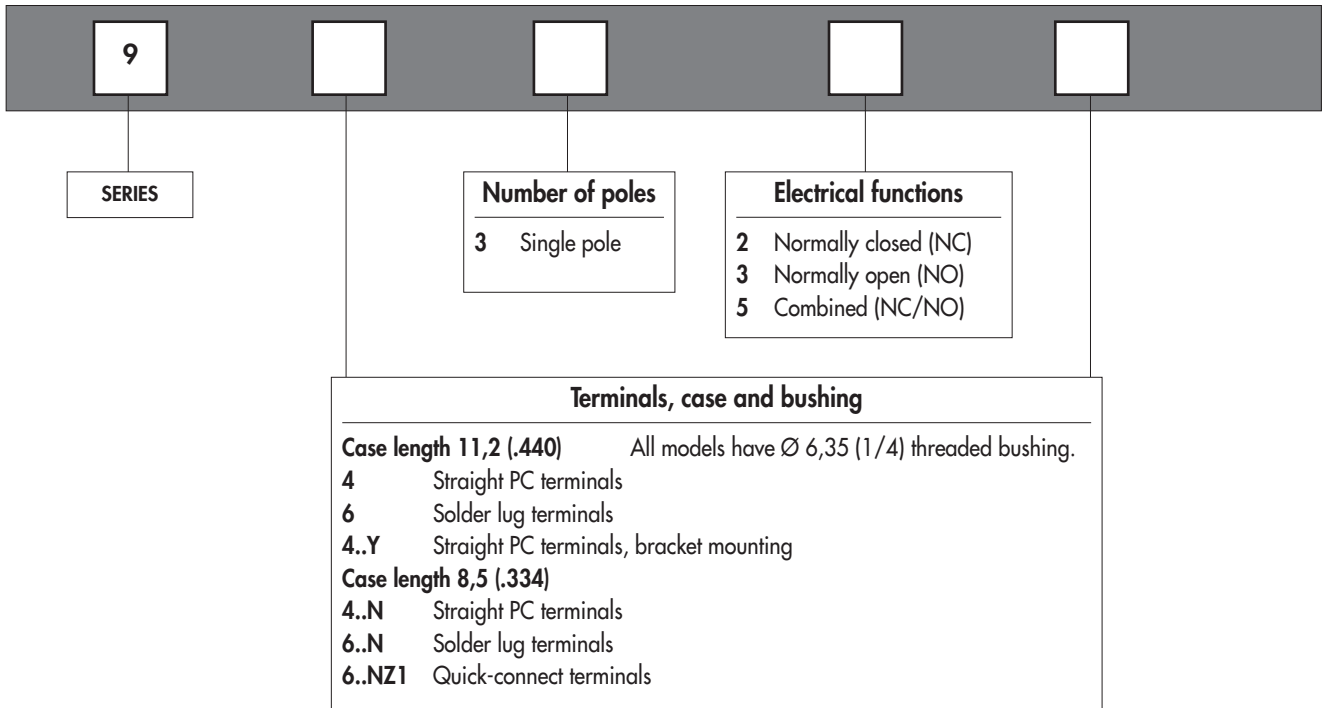
| 9600-9400-9400Y | | 9600N-9400N |
|-------------------|------------|-------------|
| Functions 3 and 5 | Function 2 | Function 3 |
| 1,3 mm | 2 mm | 0,9 mm |

- Torque : 1,25 Nm (.922 Ft.lb) max. applied to nut
- Operating temperature : -30°C to +65°C

9000 series

Momentary pushbutton switches

Overview



ABOUT THIS SERIES

On the following pages, you will find successively :
- model structure of switches
- their options in the same order as in above chart

Dimensions : first dimensions are in mm while inches are shown as bracketted numbers.



NOTICE : please note that not all combinations of above numbers are available. Refer to the following pages for further information.



Sealing boots are available to protect the switches against dust and water. They are presented in section H.



Mounting accessories : standard hardware supplied with all switches : 2 hex nuts 8 mm (.314) across flats and 1 lockwasher. Standard and special hardware available are presented in section I.



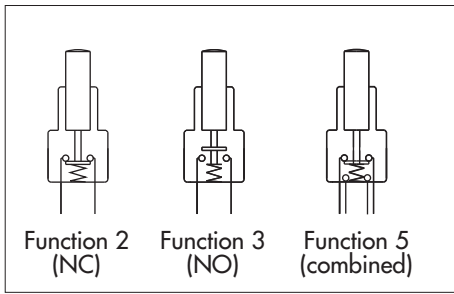
Packaging unit : 50 pieces, except for 9400Y (25 pieces)



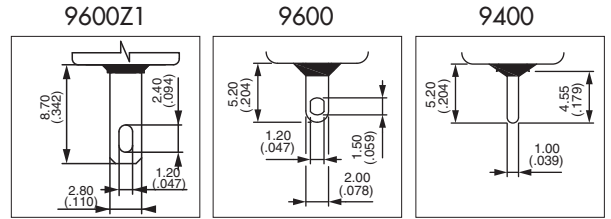
9000 series

Momentary pushbutton switches

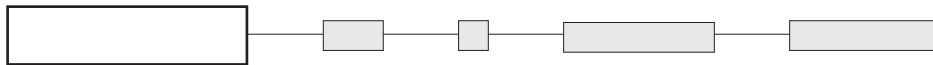
9600 - 9400 - 9400Y



- Single pole
- Solder lug or straight PC terminals
- Epoxy sealed terminals



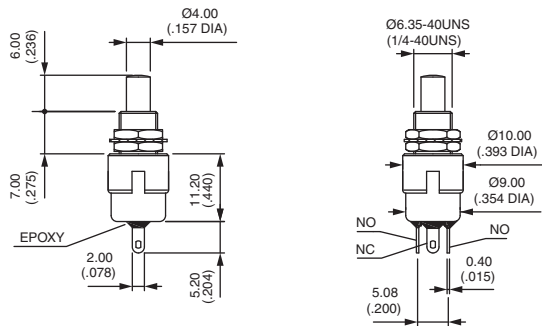
MODEL STRUCTURE



Solder lug terminals - case length 11,2 (.440) : 9600



- | | | |
|--------------|--|-------------------|
| 9632B | | Normally Closed |
| 9635B | | Combined function |

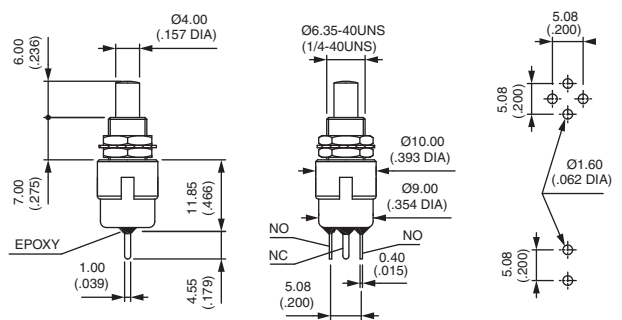


For Normally Open (function 3), see next page.

Straight PC terminals - case length 11,2 (.440) : 9400



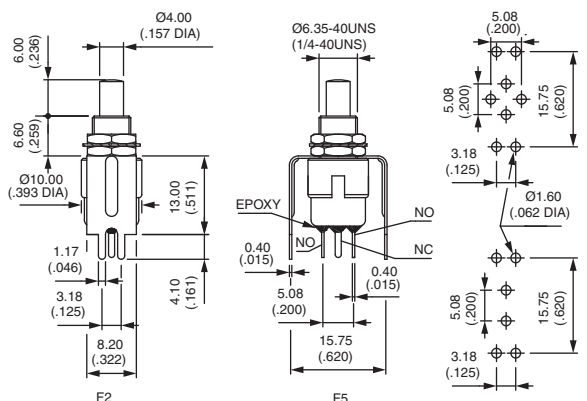
- | | | |
|--------------|--|-------------------|
| 9432B | | Normally Closed |
| 9433B | | Normally Open |
| 9435B | | Combined function |



Bracket mounting - case length 11,2 (.440) : 9400Y



- | | | |
|---------------|--|-------------------|
| 9432YB | | Normally Closed |
| 9433YB | | Normally Open |
| 9435YB | | Combined function |



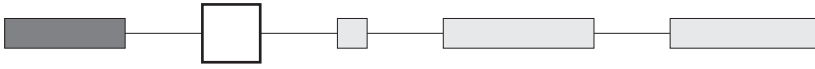
The bracket is not fastened to the switch.



9000 series

Momentary pushbutton switches

CONTACT MATERIALS



- A Silver
- CD Brass, gold plated

Special contact, lower rating : see X601 under "Special options".

SEALING

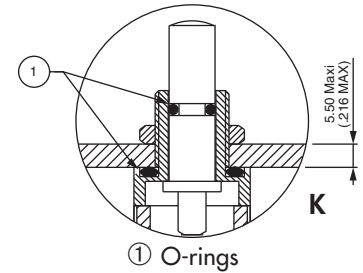
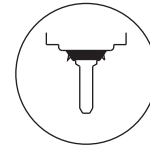


- B Epoxy sealed terminals

- K Front panel sealing by two O-rings. Protects the switch against water and dust. Panel seal withstands 0,1 bar pressure and remains tight even when switch is operated.

- KB Combined sealings

Sealing boots : see section H.



SPECIAL OPTIONS



- X601 **Silver plated brass contacts**
Current/voltage rating for an electrical life of 20.000 cycles :
0,2A 250VAC - 0,4A 125VAC - 0,5A 30VDC.
Minimum quantity : 5.000 pieces per model and shipment.

- X1146 **Model with dia. 16 (.630) bushing and metal plunger**
See previous page.

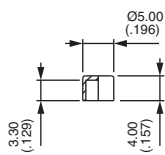
9000 series

Momentary pushbutton switches

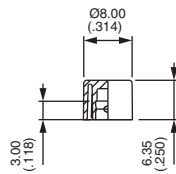
OPTIONS



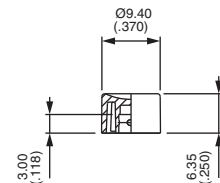
CAPS



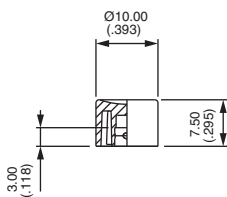
U900



U1140

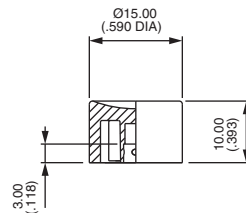


U1720

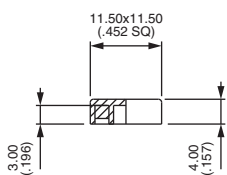


U480

Standard

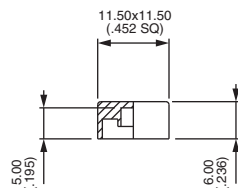


U630



U2430

Square



U2020

Square

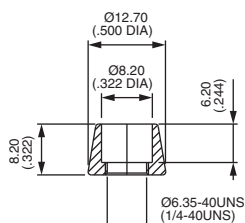
Cap colours

Replace last "0" by number

- | | |
|-----|-----------|
| 1 | blue |
| 1/4 | dark blue |
| 2 | black |
| 3 | green |
| 4 | grey |
| 5 | yellow |
| 6 | red |
| 7 | ivory |
| 7/1 | white |
| 9 | orange |

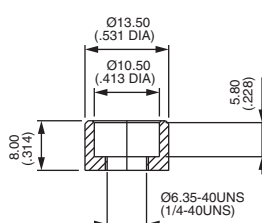
DRESS NUTS

Chrome plated. Order separately.



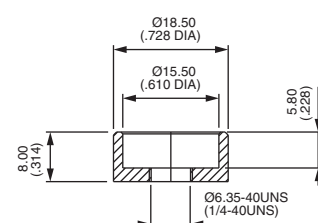
U1636

For cap U1140



U840

For cap U480



U825

For cap U630

9000 series

Alternate action or momentary pushbutton switches

Distinctive features and specifications

□ Bushing Ø 6,35 (1/4) and 11,9 (15/32)

□ Two electrical functions

ELECTRICAL SPECIFICATIONS

- Max. current/voltage rating with resistive load and electrical life :
 - silver contacts (A) : 0,5A 250VAC - 1A 28VDC - 250.000 cycles
1,5A 250VAC - 3A 28VDC - 10.000 cycles
 - gold plated contacts (CD) : 0,4VA 20V max. AC or DC
- Initial contact resistance : 10 mΩ max. at 0,1A 3VDC
- Insulation resistance : 10.000 MΩ min.
- Dielectric strength :
1.000 Vrms 50 Hz min.

MATERIALS

- Case : diallylphthalate
- Actuator : nylon
black for series 9630M
white for series 9631
- Bushing : brass, nickel plated
- Contacts :
 - A** : silver
 - CD** : brass, gold plated
- Terminal seal : epoxy

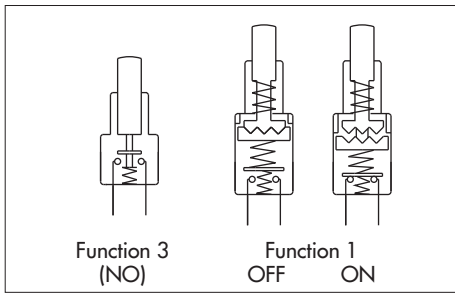
GENERAL SPECIFICATIONS

- Operating temperature : -30°C to +85°C
- Travels : see table below.

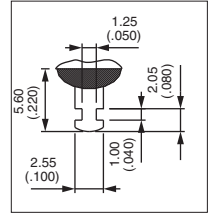
| MODELS | 9631 | 9633M |
|--------------|-------------|-------------|
| Total travel | 3,48 (.137) | 2,79 (.110) |
| Pre-travel | 0,66 (.026) | - |
| Over travel | 2,69 (.106) | 0,51 (.020) |

9000 series

Alternate action or momentary pushbutton switches



- Single pole
- Solder lug terminals
- Epoxy sealed terminals



B

Bushing Ø 6,35 (1/4) - Alternate action - tactile feedback

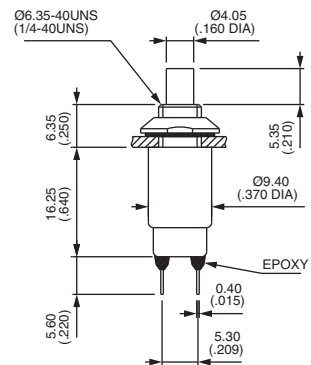


Gold plated contacts
9631CDB

ON - OFF

Silver contacts
9631AB

ON - OFF



Standard hardware : 1 conic nut and 1 lockwasher

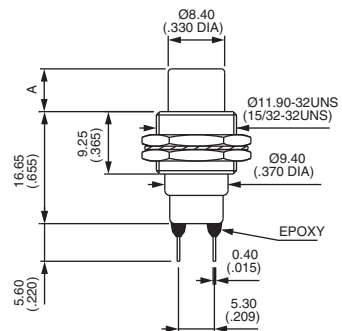
Bushing Ø 11,9 (15/32) - front or rear mounting - NO



9633MCDB



Normally open



| MODEL | A |
|-------|-------------|
| 9633M | 6.35 (.250) |

Standard hardware : 2 hex nuts 14 mm (.551) across flats and 1 lockwasher

X-ON Electronics

Largest Supplier of Electrical and Electronic Components

Click to view similar products for [Pushbutton Switches](#) category:

Click to view products by [Apem](#) manufacturer:

Other Similar products are found below :

[8940K2012](#) [LW1L-M1C10V-A](#) [LW1L-M1C70-A](#) [LW2L-A1C20M-GD](#) [LW2L-M1C20M-A](#) [60324L](#) [M22-D-R-GB0/K11](#) [M7E-HRN2](#)
[67021K512](#) [67081K512X](#) [701PB580](#) [7190K101](#) [7199K101](#) [810K12910](#) [810KSV30B](#) [MML21EA2ADK](#) [MML21KA3ABK](#)
[MML23KA3AC05K-001](#) [MML23KW3AA01W](#) [8418K2](#) [8442K3](#) [8450K1](#) [860K11911T01A](#) [861901](#) [861K11911T01A07](#)
[861K13810T00A14](#) [861K13911](#) [8646AB6X718UL](#) [8646ABUL](#) [9001KXRK](#) [907AYY100](#) [PMHD155A1](#) [95-313.000](#)
[9533CD4+U574+U4922](#) [95-414.000](#) [99-450.837](#) [99-453.837](#) [PV3H2B0NN-341](#) [1203MRA](#) [A22NZBGANGA](#) [A22NZBMMNGA](#)
[A22NZBNANGA](#) [A22NZMPATRA](#) [A2PMA1X03EC56](#) [A3A-5123-02](#) [A3A-7140](#) [A3A-7310](#) [A3A-7340](#) [A3U-TMW-A2C-5M](#) [A595](#)