

A01 series

Pushbutton switches & indicators

Distinctive features and specifications

A01_AX1607USR1



- ❑ Panel Sealed to IP65
- ❑ Single pole to four pole changeover
- ❑ Custom engraving or film legends options
- ❑ Push on tab terminals
- ❑ 6A 250VAC

ELECTRICAL SPECIFICATIONS

- **Current/Voltage Rating** : 10mA 5VAC min, 6A 250VAC, 6Amp 12VDC
- **Initial Contact Resistance** : 10mΩ max at 1A 4VDC
- **Insulation Resistance** : 50MΩ min
- **Dielectric Strength** : 750V between open contacts, 5KV live to accessible
- **Electrical Life** : 50,000 cycles min
- **Contact Gap** : >1mm (0.039)
- **Insulation** : Class 2
- **Lamp Life** : LED, 60,000 hours to 75% relative luminosity filament, approx. 5000 hours neon, approx. 10,000 hours

MECHANICAL SPECIFICATIONS

- **Mechanical Life** : (operator) Momentary, 1 million cycles, maintained 100,000 cycles
- **Lamp** : Midget grove T1 ¾ filament, neon or LED
- **Terminals** : Solder/quick connect 2.8mm (0.110)

GENERAL SPECIFICATIONS

- **Operating Temperature** : -20°C to +55°C
- **Solder Heat Resistance** : 350°C for 5 seconds
- **Sealing** : Panel sealed to IP65, rear of panel IP40

AGENCY APPROVALS

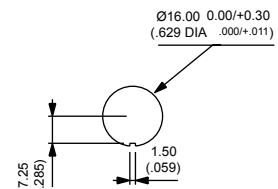


MATERIALS

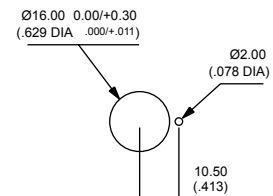
- **Screens** : PC
- **Reflector Assembly** : PC
- **Operator** : PBT
- **Nut** : ABS
- **Camtrack Momentary** : PPE
- **Camtrack Maintained** : PPSU
- **Switch Block 1 & 2 Pole** : PBT
- **Switch Block 3 & 4 Pole** : PEI
- **Contacts** : Gold plated silver

PANEL CUT OUT

Round & Square bezel operators only

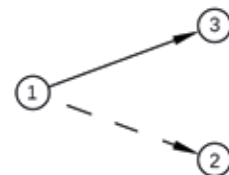


Rectangular bezel operators only



Max panel thickness 8mm (0.314)

CIRCUIT



Dimensions : first dimensions are in mm while inches are shown in brackets. Refer to the following pages for further information.



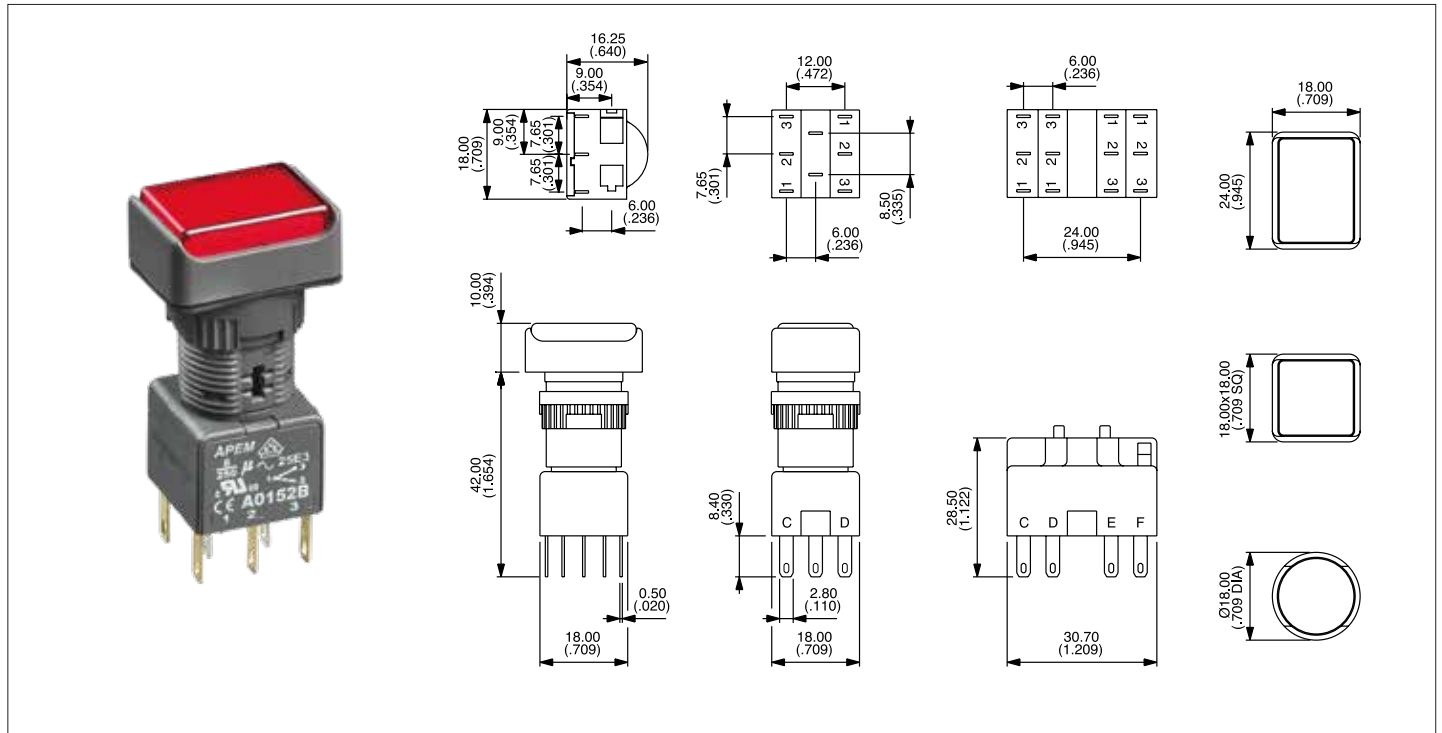
Mounting accessories : standard hardware 1 nut and 1 sealing washer.

A01 series

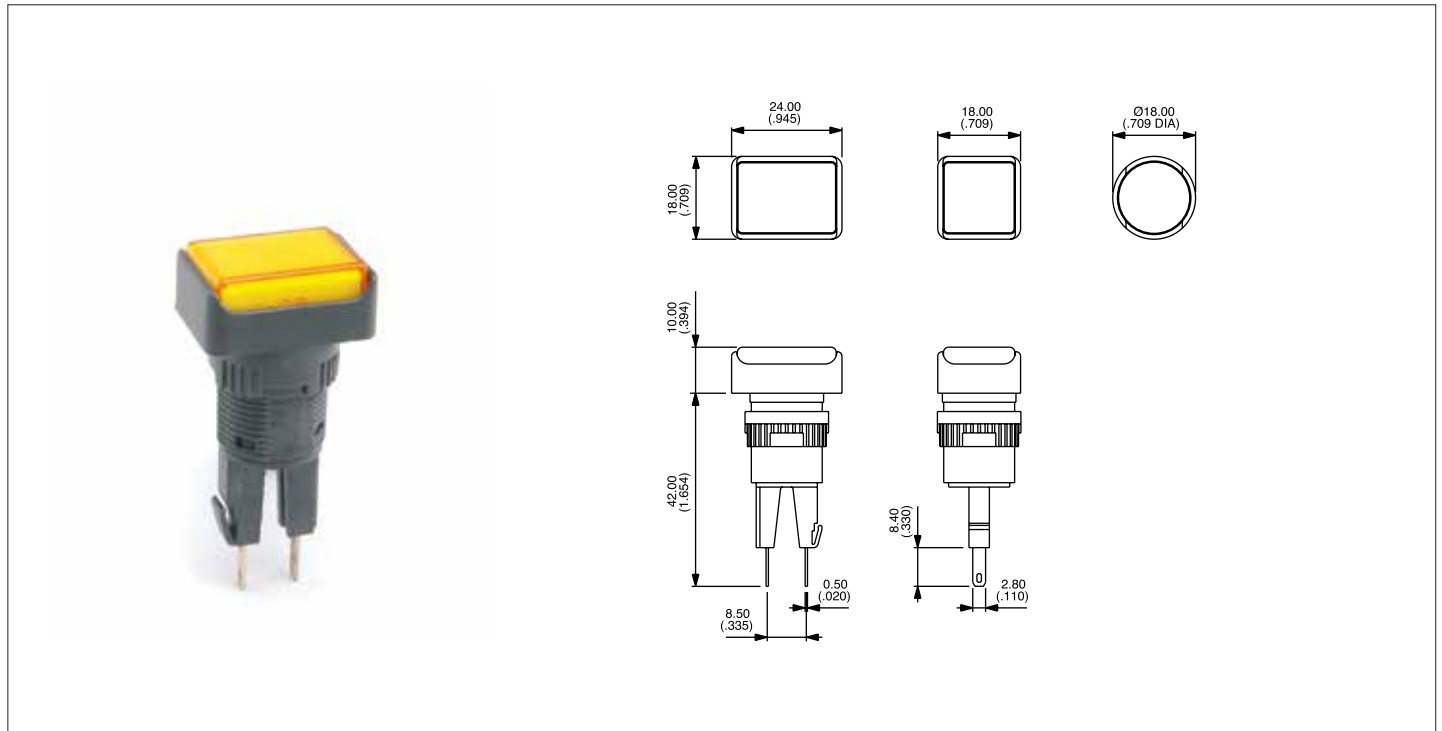
Pushbutton switches & indicators

Panel cut-out Ø16 (0.755)

Pushbutton



Indicator



A01 series

Pushbutton switches & indicators

Overview

Pushbutton

| Screen | | | + | Lamp <small>(if required)</small> | | | + | Operator | | + | Switch block | |
|--------|--------|---------|----------|-----------------------------------|---------|--------|-------|-----------------------|---------|-------------|--------------|--|
| Bezel | Colour | Part No | Lamp | Voltage | Part No | Pole | Bezel | Description | Part No | No of poles | Part No | |
| | black | A0161A | Filament | 6.3V | A0141A | 1 or 2 | | Illum, momentary | A0101Y | Single pole | A0151B | |
| | red | A0161B | Filament | 14V | A0141B | 1 or 2 | | Illum, maintained | A0101X | Double pole | A0152B | |
| | amber | A0161C | Filament | 28V | A0141C | 1 or 2 | | Non-illum, momentary | A0102Y | Three pole | A0155B | |
| | yellow | A0161D | Filament | 36V | A0141D | 1 or 2 | | Non-illum, maintained | A0102X | Four pole | A0153B | |
| | green | A0161E | Filament | 48V | A0141E | 3 or 4 | | Illum, momentary | A0103Y | | | |
| | blue | A0161F | Filament | 60V | A0141F | 3 or 4 | | Illum, maintained | A0103X | | | |
| | clear | A0161G | Neon | 110V | A0143G | 3 or 4 | | Non-illum, momentary | A0104Y | | | |
| | white | A0161J | Neon | 220V | A0143H | 3 or 4 | | Non-illum, maintained | A0104X | | | |
| | black | A0162A | LED | 6V red | A0142L1 | 1 or 2 | | Illum, momentary | A0105Y | | | |
| | red | A0162B | LED | 6V green | A0142L2 | 1 or 2 | | Illum, maintained | A0105X | | | |
| | amber | A0162C | LED | 6V amber | A0142L3 | 1 or 2 | | Non-illum, momentary | A0106Y | | | |
| | yellow | A0162D | LED | 12V red | A0142M1 | 1 or 2 | | Non-illum, maintained | A0106X | | | |
| | green | A0162E | LED | 12V green | A0142M2 | 3 or 4 | | Illum, momentary | A0107Y | | | |
| | blue | A0162F | LED | 12V amber | A0142M3 | 3 or 4 | | Illum, maintained | A0107X | | | |
| | clear | A0162G | LED | 12V blue | A0142M4 | 3 or 4 | | Non-illum, momentary | A0108Y | | | |
| | white | A0162J | LED | 12V white | A0142M5 | 3 or 4 | | Non-illum, maintained | A0108X | | | |
| | black | A0163A | LED | 24V red | A0142N1 | 1 or 2 | | Illum, momentary | A0109Y | | | |
| | red | A0163B | LED | 24V green | A0142N2 | 1 or 2 | | Illum, maintained | A0109X | | | |
| | amber | A0163C | LED | 24V amber | A0142N3 | 1 or 2 | | Non-illum, momentary | A0110Y | | | |
| | yellow | A0163D | LED | 24V blue | A0142N4 | 1 or 2 | | Non-illum, maintained | A0110X | | | |
| | green | A0163E | LED | 24V white | A0142N5 | 3 or 4 | | Illum, momentary | A0111Y | | | |
| | blue | A0163F | LED | 48V red | A0142P1 | 3 or 4 | | Illum, maintained | A0111X | | | |
| | clear | A0163G | LED | 48V green | A0142P2 | 3 or 4 | | Non-illum, momentary | A0112Y | | | |
| | white | A0163J | LED | 48V amber | A0142P3 | 3 or 4 | | Non-illum, maintained | A0112X | | | |

Bezel: rectangular square round. 'Illum' - illuminated, 'Non-illum' - non illuminated

Indicator

| Screen | | | + | Lamp | | | + | Operator | |
|--------|--------|---------|----------|-----------|---------|-------|-------------|----------|--|
| Bezel | Colour | Part No | Lamp | Voltage | Part No | Bezel | Description | Part No | |
| | black | A0161A | Filament | 6.3V | A0141A | | Indicator | A0171 | |
| | red | A0161B | Filament | 14V | A0141B | | Indicator | A0172 | |
| | amber | A0161C | Filament | 28V | A0141C | | Indicator | A0173 | |
| | yellow | A0161D | Filament | 36V | A0141D | | | | |
| | green | A0161E | Filament | 48V | A0141E | | | | |
| | blue | A0161F | Filament | 60V | A0141F | | | | |
| | clear | A0161G | Neon | 110V | A0143G | | | | |
| | white | A0161J | Neon | 220V | A0143H | | | | |
| | black | A0162A | LED | 6V red | A0142L1 | | | | |
| | red | A0162B | LED | 6V green | A0142L2 | | | | |
| | amber | A0162C | LED | 6V amber | A0142L3 | | | | |
| | yellow | A0162D | LED | 12V red | A0142M1 | | | | |
| | green | A0162E | LED | 12V green | A0142M2 | | | | |
| | blue | A0162F | LED | 12V amber | A0142M3 | | | | |
| | clear | A0162G | LED | 12V blue | A0142M4 | | | | |
| | white | A0162J | LED | 12V white | A0142M5 | | | | |
| | black | A0163A | LED | 24V red | A0142N1 | | | | |
| | red | A0163B | LED | 24V green | A0142N2 | | | | |
| | amber | A0163C | LED | 24V amber | A0142N3 | | | | |
| | yellow | A0163D | LED | 24V blue | A0142N4 | | | | |
| | green | A0163E | LED | 24V white | A0142N5 | | | | |
| | blue | A0163F | LED | 48V red | A0142P1 | | | | |
| | clear | A0163G | LED | 48V green | A0142P2 | | | | |
| | white | A0163J | LED | 48V amber | A0142P3 | | | | |

Bezel: rectangular square round.



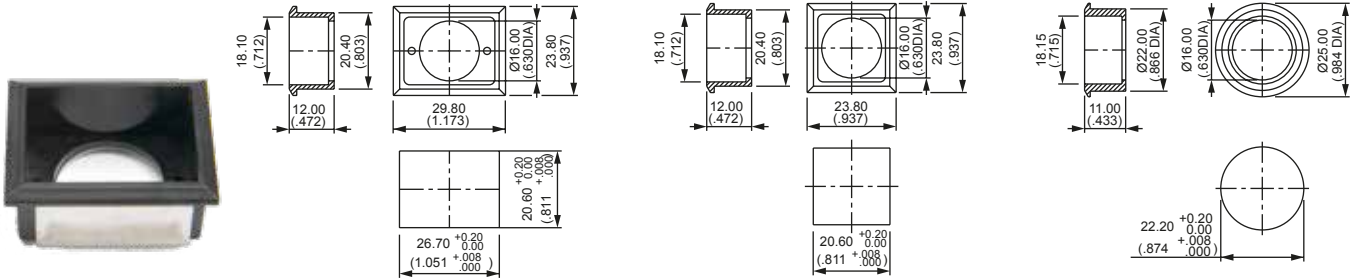
Unsealed switches & indicators (IP40) suffix 01 to the end of the part number.
Screen engraving insertable legends, & bi-color LED's please contact APEM

A01 series Pushbutton switches & indicators

Accessories

Flush mount bezels

Dark grey plastic material – supplied with sealing washer

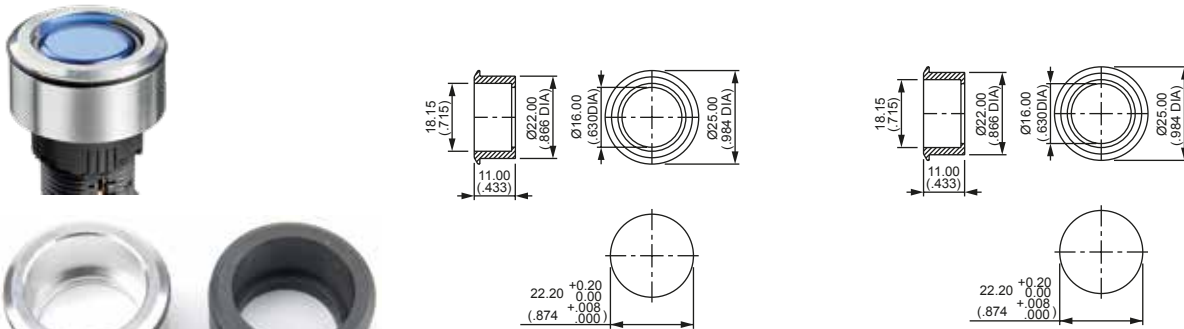


Rectangular : A01FM1

Square : A01FM

Round : A01FM2

Anodised aluminium/matt black



Round natural anodised : A01FMM

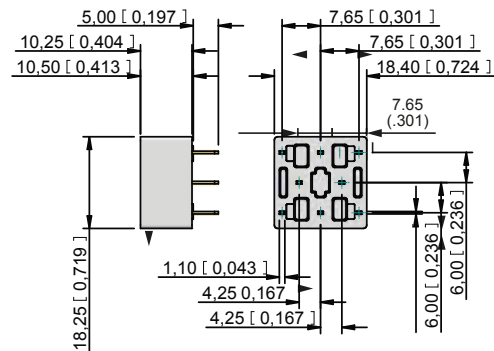
Round matt black : A01FMMG

PCB Sockets

Number of Poles

Part No.

| | |
|--------------------------------|--------|
| Single pole, non illuminated : | A01PC1 |
| Double pole, non illuminated : | A01PC2 |
| Single pole, illuminated : | A01PC3 |
| Double pole, illuminated : | A01PC4 |
| Indicator : | A01PC5 |



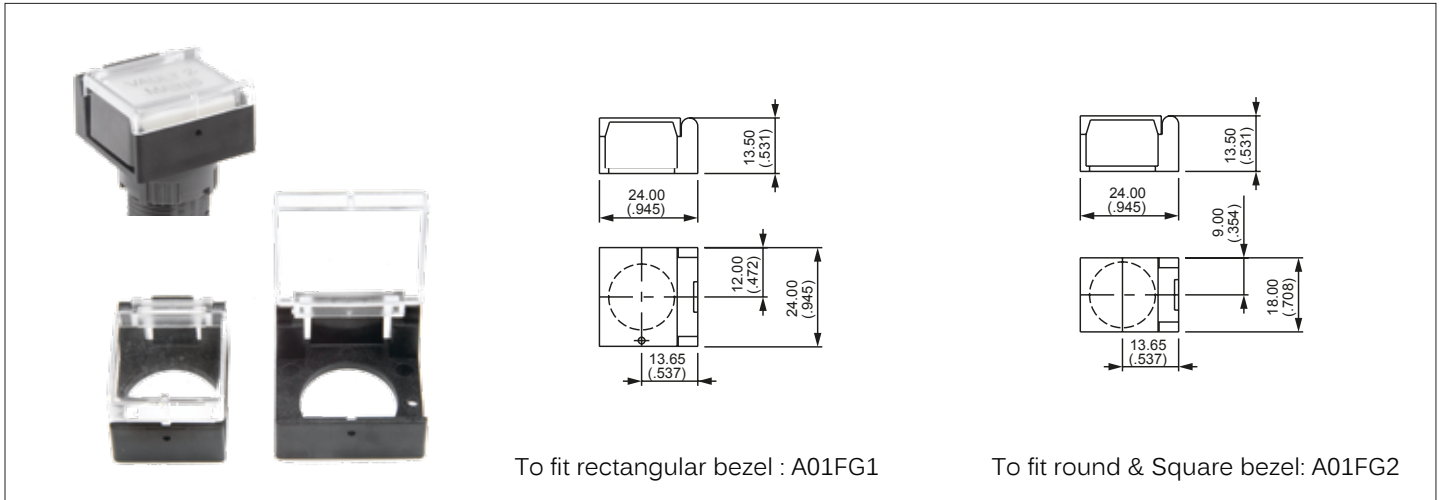
Dimensions : first dimensions are in mm while inches are shown in brackets.
Refer to the following pages for further information.

A01 series

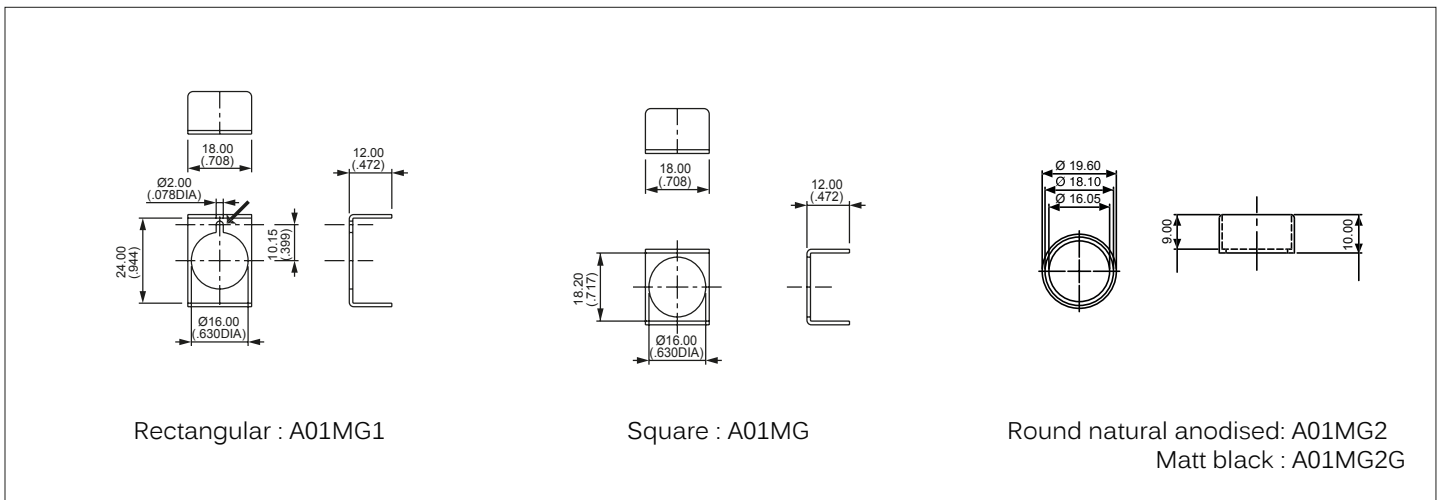
Pushbutton switches & indicators

Accessories

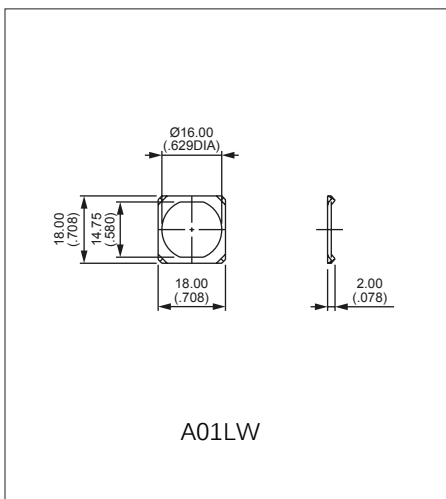
Flap guards



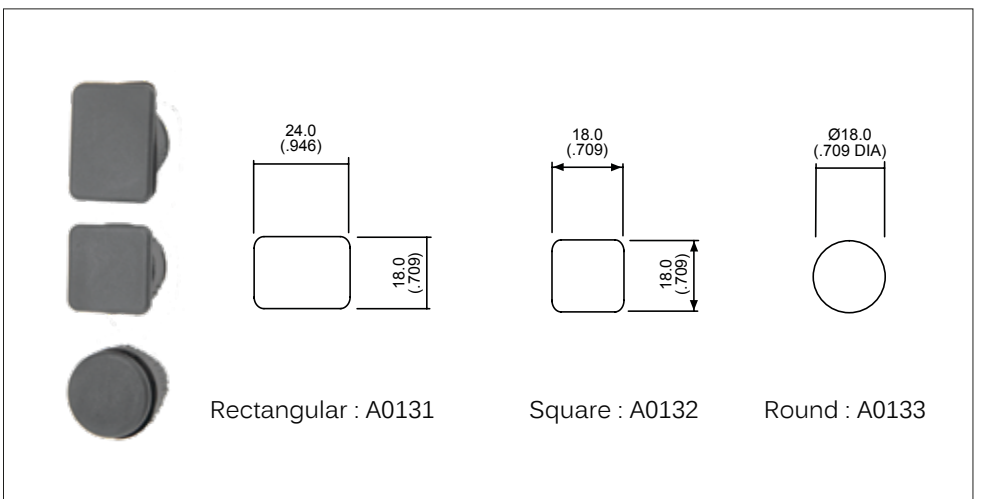
Aluminium bezel protection guards



Anti rotation ring



Blanking plugs



A01 series

Pushbutton switches & indicators

Installation & tools

Installation guide

The diagrams illustrate the assembly of various switch types onto a panel. On the left, 'ROTARY LEVER SWITCHES' and 'KEYLOCK SWITCHES' are shown. The central 'PUSHBUTTONS & INDICATORS' diagram shows a cross-section of the assembly with labels: SCREEN, LEGEND, REFLECTOR, LOCATING SLOT, BULB, POLARISING DOT, PANEL SEAL, FIXING NUT, OPERATOR, LATCH, and SWITCH BLOCK. A dimension line indicates a distance of 8.00 max (31.4 max) between the top of the operator and the bottom of the panel seal. Below this, a 'SWITCH BLOCK ASSEMBLY' diagram shows the switch block being inserted into the back of the operator.

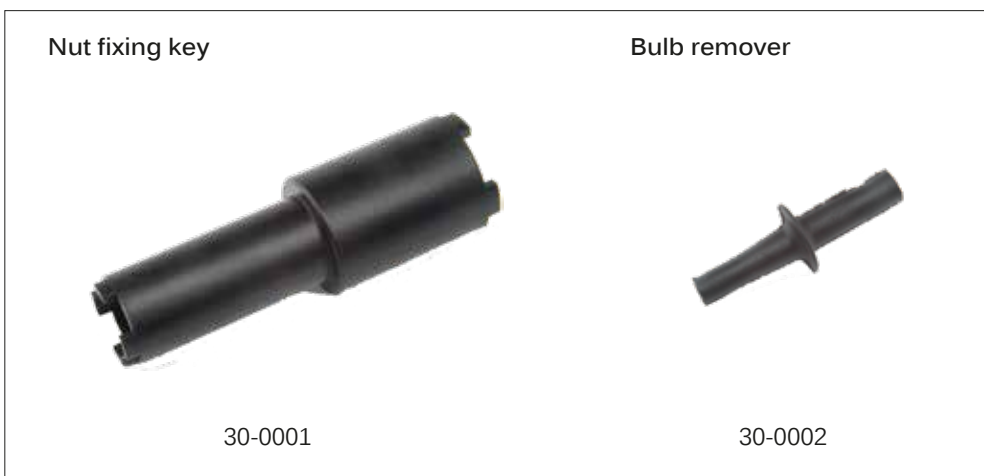
PANEL MOUNTING ASSEMBLY

- Drill/punch hole shaped as shown on page one.
- Assemble front operator through hole, fit fixing nut and tighten to a maximum torque of 0.8Nm using tool No. 30-0001.
- Wire chosen switch block as required and slide onto operator until latch engages.
- Fit bulb if required using tool No. 30-0002.
- Snap screen onto reflector assembly with legend in between if required and snap onto front operator, take care to line up the locating slot with the polarising dot and not to damage the internal seal
- To place/remove the bulb use the bulb extractor 30-0002.

SWITCH BLOCK ASSEMBLY

To assemble switch block to the operator, firstly, take care to line up the switch block with the back of the operator. Once in position slide on to the back of the operator. N.B. Ensure latch is fully engaged correctly onto the switch block. To remove switch block, depress the latch and slide the switch block off the operator.

Tools



X-ON Electronics

Largest Supplier of Electrical and Electronic Components

Click to view similar products for [Switch Actuators](#) category:

Click to view products by [Apem](#) manufacturer:

Other Similar products are found below :

[LW1B-A0L](#) [LW1B-M0](#) [680-4000-00](#) [704.012.618](#) [704.412.0](#) [862.8102](#) [G6083](#) [9PA24](#) [A019307](#) [14-415.036K](#) [ASDHHY-B](#) [HW1F-3G](#)
[HW4L-M0](#) [200-.704-00](#) [JS-10008](#) [JS-10083](#) [JS-10118](#) [JS-10133](#) [JS-10277](#) [JS-10389](#) [JS-150](#) [JS-552](#) [JS-555](#) [JS-68](#) [JS-6-B](#) [JS-91](#) [JS-94](#) [22-](#)
[211.011](#) [92-458.500](#) [SAPT654133](#) [SW53AA2](#) [LW2L-A0](#) [3E-12.0](#) [468-10243-001](#) [51-030.002](#) [51-030.005](#) [JM-13](#) [JS-10120](#) [JS-138-B](#) [JS-](#)
[143-B](#) [JS-551](#) [JS-5-C](#) [KRR12](#) [LLDPZ00-000](#) [030-2196-006](#) [110164](#) [704.062.718](#) [704.075.218](#) [704.093.0](#) [704.095.018](#)