

# A01ES-D

## Emergency stop switches

*Distinctive features and specifications*



A01ESD1701A-R1

- ❑ Approved to EN 60947-5-5
- ❑ 5 prominent red actuator styles
- ❑ Locked/unlocked status indicator
- ❑ AC15 1,5A 250VAC, 6A 250VAC
- ❑ Panel sealed to IP65

### ENVIRONMENTAL SPECIFICATIONS

- Sealing options : front panel IP65, rear panel IP40 according to EN60947-5-5
- Operating temperature : -20°C to +55°C

### ELECTRICAL SPECIFICATIONS

- Electrical function : push to shut off, twist to release
- Current/voltage rating : AC-15 1,5A 250VAC, 6A 250VAC
- Electrical life : 6.050 cycles
- Contact gap : > 3mm
- Insulation resistance : 50MΩ min
- Dielectric test voltage : 2900V

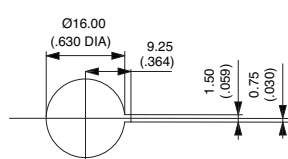
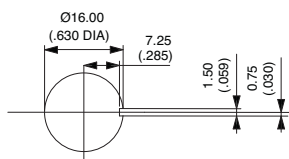
### GENERAL SPECIFICATIONS

- Panel thickness : 6mm (.236) max.
- Mechanical life : 6050 cycles
- Operating force : 18 to 20N
- Torque : 0.8Nm
- Soldering : 350C, 5 seconds (IEC 68-2-2-20Tb, method 2)
- Switch terminals : solder/ quick-connect 2.8mm (.110) (IEC 68-2-20)

### PANEL CUT-OUT

A01ES-DM - A01ES-DSP3

A01ES-D - A01ES-DF1 - A01ES-DF2



### MATERIALS

- Operator case : polyetherimide
- Actuator : polycarbonate
- Switch block : PBT
- Panel seal : neoprene

### AGENCY APPROVAL

Switch block approved to  
UL 1054 / VDE / EN 61058-1

The company reserves the right to change specifications without notice.

# A01ES-D

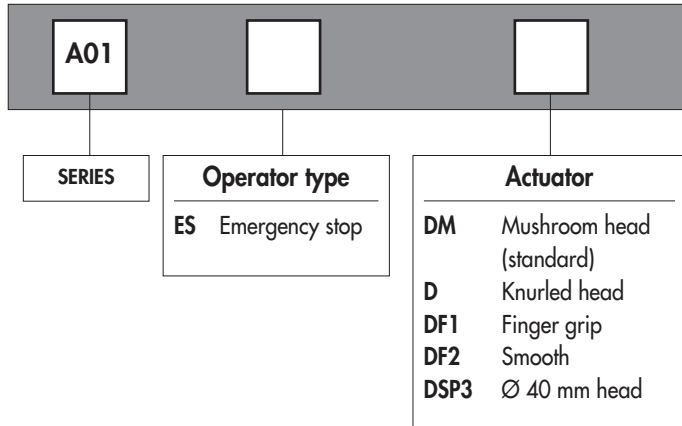
## Emergency stop switches

### Overview

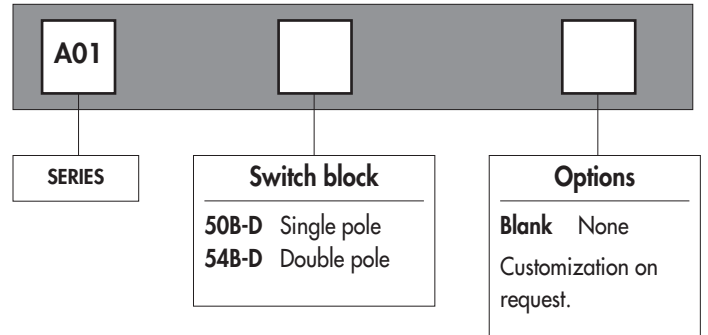
#### HOW TO ORDER

An emergency stop switch assembly requires : 1 operator + 1 switch block.

#### OPERATOR



#### SWITCH BLOCK



#### Example A01ES-D + A0154B-D

Ø 16 mm red twist to reset, standard actuator with double pole positive break switch block.



**Dimensions** : first dimensions are in mm while inches are shown as bracketed numbers.

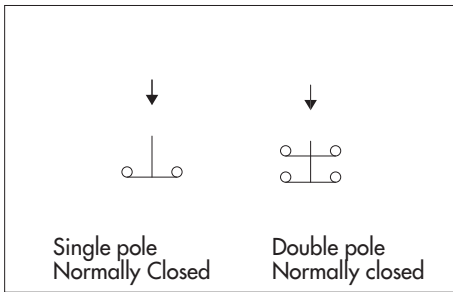


**Mounting accessories** : Standard hardware supplied : 1 nut and 1 flat panel seal.

# A01ES-D

Emergency stop switches

Panel cut-out  $\varnothing$  16 mm (.629)



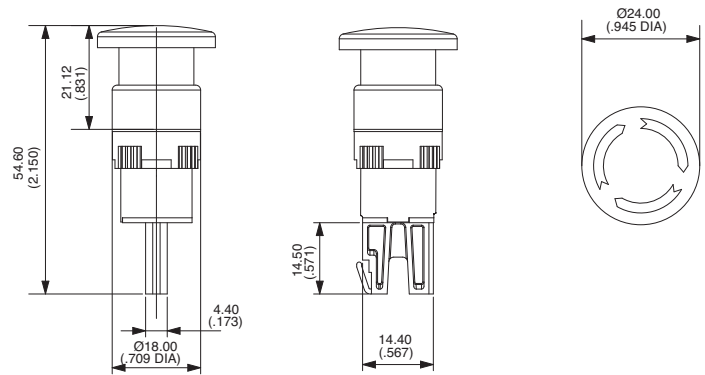
OPERATOR



## Mushroom head actuator - standard



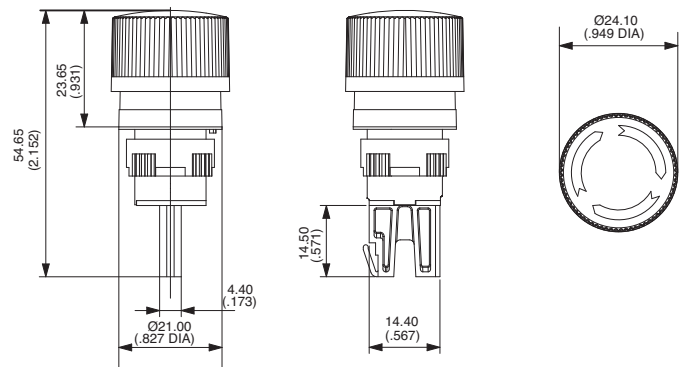
A01ES-DM



## Knurled head actuator



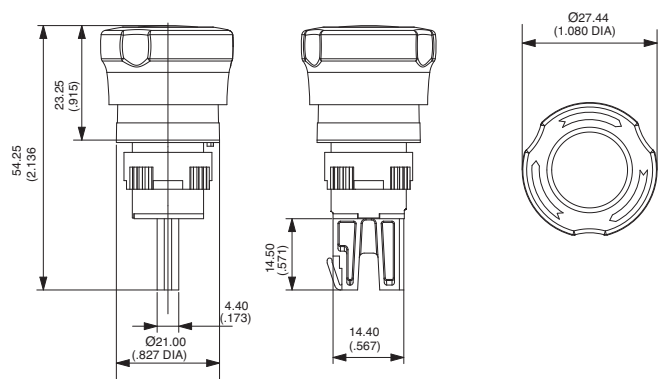
A01ES-D



## Finger grip actuator



A01ES-DF1



# A01ES-D

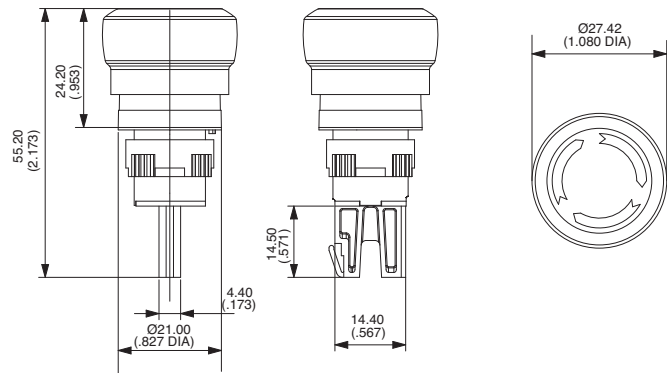
## Emergency stop switches

Panel cut-out  $\varnothing$  16 mm (.629)

### Smooth actuator



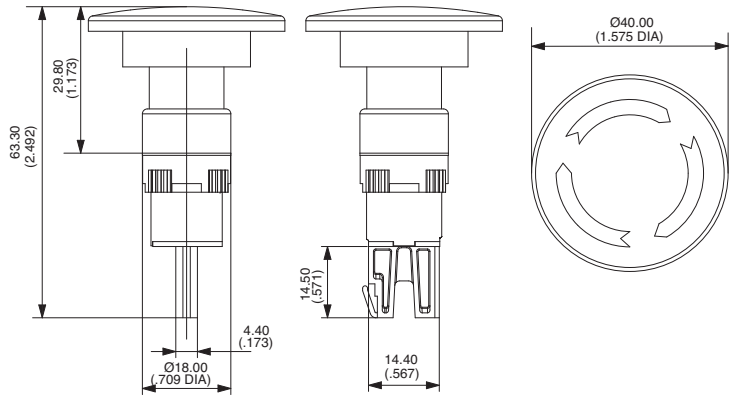
A01ES-DF2



### $\varnothing$ 40 mm head actuator



A01ES-DSP3

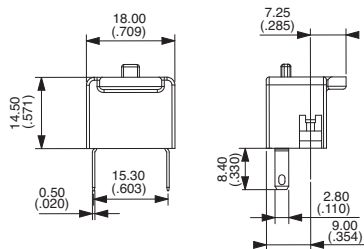


SWITCH  
BLOCK

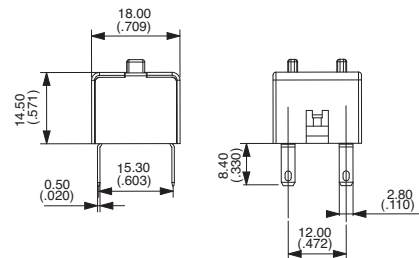


Customization on request, please contact APEM.

### Single pole : A0150B-D



### Double pole : A0154B-D



### Accessory : $\varnothing$ 60 mm self adhesive Label



English text      A01YL1  
Without text      A01YL2  
French text        A01YL3  
Italian text        A01YL4  
Other languages on request.

### Accessory : nut tool



Part number : 30-0001

## X-ON Electronics

Largest Supplier of Electrical and Electronic Components

*Click to view similar products for [Switch Actuators](#) category:*

*Click to view products by [Apem](#) manufacturer:*

Other Similar products are found below :

[LW1B-A0L](#) [LW1B-M0](#) [680-4000-00](#) [704.012.618](#) [704.411.018I](#) [704.412.0](#) [704.633.1](#) [704.730.1](#) [704.733.0](#) [84-1221.7](#) [862.8102](#) [G6083](#)  
[9PA24](#) [A0107X](#) [A019307](#) [ADC-418G](#) [12MA7](#) [ASDHYY-B](#) [HW1F-3G](#) [HW1M-L2222](#) [HW4S-31L](#) [200-.704-00](#) [JS-10008](#) [JS-10083](#) [JS-10118](#) [JS-10133](#) [JS-10277](#) [JS-10389](#) [JS-150](#) [JS-552](#) [JS-555](#) [JS-68](#) [JS-6-B](#) [JS-91](#) [JS-94](#) [22-211.011](#) [9001KXSDC](#) [92-458.500](#) [SAPT654133](#)  
[2PA3](#) [SW53AA2](#) [302561](#) [LW2L-A0](#) [3E-12.0](#) [468-10243-001](#) [51-030.005](#) [JM-13](#) [JS-10120](#) [JS-138-B](#) [JS-143-B](#)