

A01ES-D

Emergency stop switches

Distinctive features and specifications



A01ESD1701A-R1

- ❑ Approved to EN 60947-5-5
- ❑ 5 prominent red actuator styles
- ❑ Locked/unlocked status indicator
- ❑ AC15 1,5A 250VAC, 6A 250VAC
- ❑ Panel sealed to IP65

ENVIRONMENTAL SPECIFICATIONS

- Sealing options : front panel IP65, rear panel IP40 according to EN60947-5-5
- Operating temperature : -20°C to +55°C

ELECTRICAL SPECIFICATIONS

- Electrical function : push to shut off, twist to release
- Current/voltage rating : AC-15 1,5A 250VAC, 6A 250VAC
- Electrical life : 6.050 cycles
- Contact gap : > 3mm
- Insulation resistance : 50MΩ min
- Dielectric test voltage : 2900V

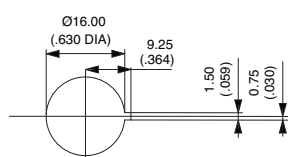
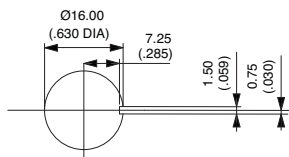
GENERAL SPECIFICATIONS

- Panel thickness : 6mm (.236) max.
- Mechanical life : 6050 cycles
- Operating force : 18 to 20N
- Torque : 0.8Nm
- Soldering : 350C, 5 seconds (IEC 68-2-2-20Tb, method 2)
- Switch terminals : solder/ quick-connect 2.8mm (.110) (IEC 68-2-20)

PANEL CUT-OUT

A01ES-DM - A01ES-DSP3

A01ES-D - A01ES-DF1 - A01ES-DF2



MATERIALS

- Operator case : polyetherimide
- Actuator : polycarbonate
- Switch block : PBT
- Panel seal : neoprene

AGENCY APPROVAL

Switch block approved to
UL 1054 / VDE / EN 61058-1

The company reserves the right to change specifications without notice.

A01ES-D

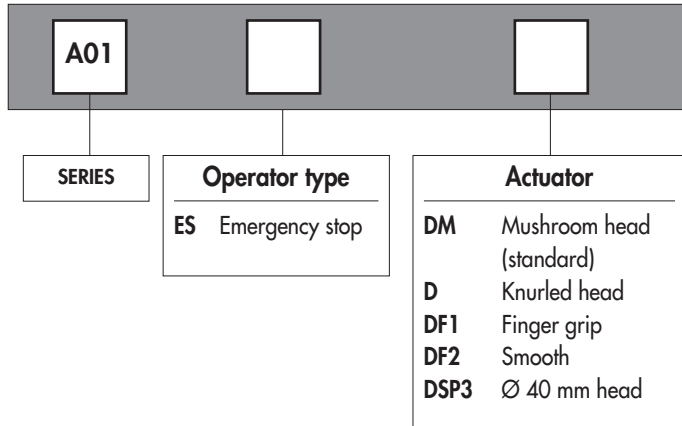
Emergency stop switches

Overview

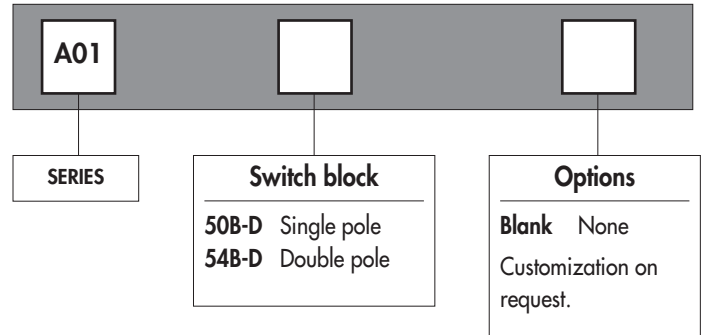
HOW TO ORDER

An emergency stop switch assembly requires : 1 operator + 1 switch block.

OPERATOR



SWITCH BLOCK



Example A01ES-D + A0154B-D

Ø 16 mm red twist to reset, standard actuator with double pole positive break switch block.



Dimensions : first dimensions are in mm while inches are shown as bracketed numbers.

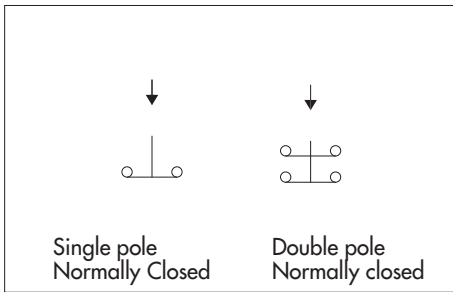


Mounting accessories : Standard hardware supplied : 1 nut and 1 flat panel seal.

A01ES-D

Emergency stop switches

Panel cut-out \varnothing 16 mm (.629)



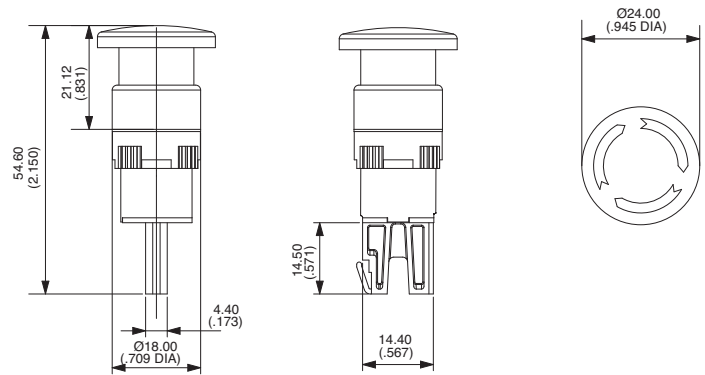
OPERATOR



Mushroom head actuator - standard



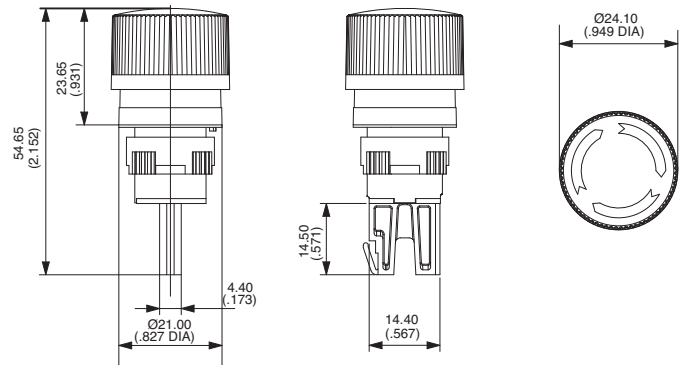
A01ES-DM



Knurled head actuator



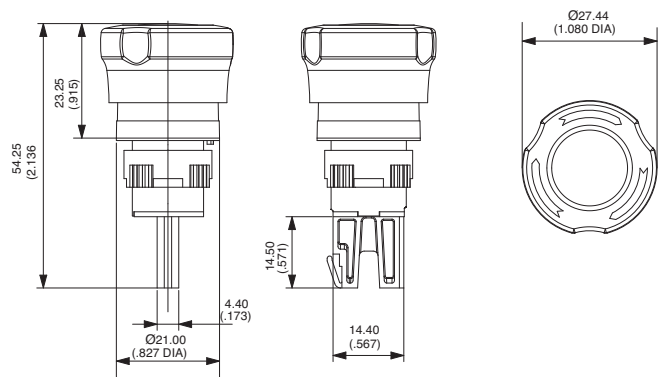
A01ES-D



Finger grip actuator



A01ES-DF1



A01ES-D

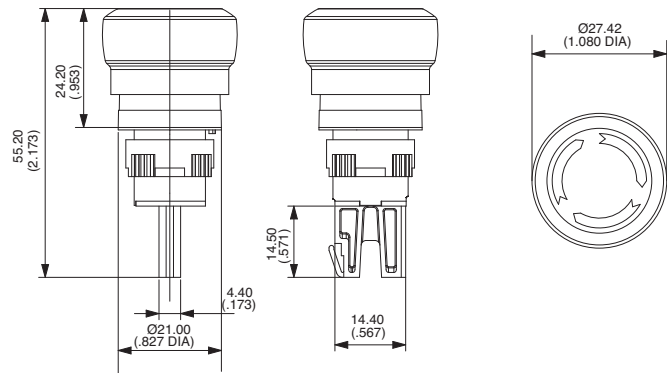
Emergency stop switches

Panel cut-out Ø 16 mm (.629)

Smooth actuator



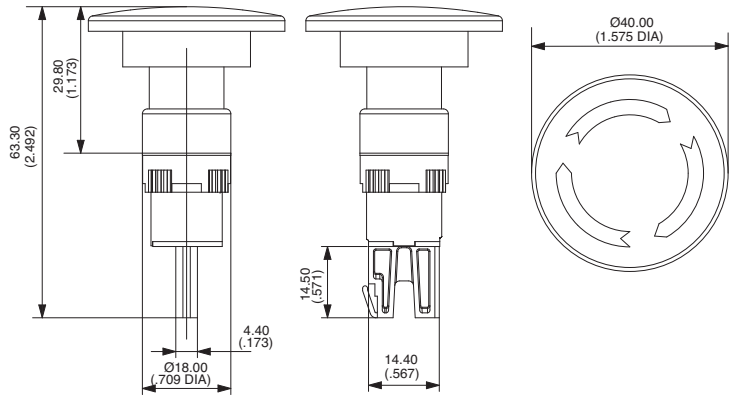
A01ES-DF2



Ø 40 mm head actuator



A01ES-DSP3

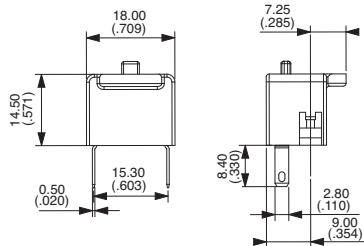


SWITCH BLOCK

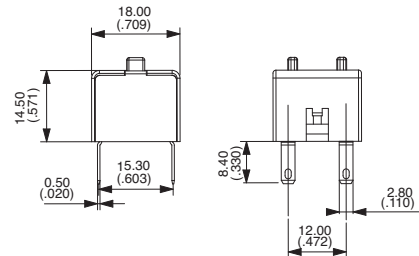


Customization on request, please contact APEM.

Single pole : A0150B-D



Double pole : A0154B-D



Accessory : Ø 60 mm self adhesive Label



English text A01YL1
 Without text A01YL2
 French text A01YL3
 Italian text A01YL4
 Other languages on request.

Accessory : nut tool



Part number : 30-0001

X-ON Electronics

Largest Supplier of Electrical and Electronic Components

Click to view similar products for [Emergency Stop Switches / E-Stop Switches](#) category:

Click to view products by [Apem](#) manufacturer:

Other Similar products are found below :

[84-6830.0020](#) [AVN302N-R](#) [3050.1302Y](#) [44-710](#) [ZA2BV05](#) [951FY000-WO](#) [ER6022-022N](#) [952+2000-00](#) [ES3S51653001](#) [601+0000-OP](#)
[E100-A2A22S05A](#) [FD 593-M2](#) [SR AL40ALK](#) [XCSA802](#) [XCSB502](#) [AZM 161SK-12/12RIA-024-B1](#) [84-5141-2B40](#) [84-6820.0020A](#) [84-](#)
[6820.0040](#) [XY2CH13250H29](#) [XCSDMR590L01M12](#) [XCSTA892](#) [XCSMP80L5](#) [FB1W-HW1B-M220B](#) [FB1W-HW1B-X401R](#) [84-](#)
[5221.2B20](#) [AYD311NUS](#) [AZM KEY \(M5\)](#) [AZ 17/170-B15](#) [TESZ1102/S](#) [AZM 161SK-12/12RKA-110/230](#) [AZM 415-11/11ZPK 24VAC/DC](#)
[AZM 161-B1S](#) [AZ 15/16-B1-2245](#) [AZ 17/170-B11](#) [AZ 17-11ZI B5](#) [BNS 40S-12Z 10,0M](#) [AZ 16-02ZVRK-ST](#) [AZ/AZM 415-B2](#) [AZ/AZM](#)
[415-B3](#) [BNS 260-02Z-L](#) [MZM 100-B1.1](#) [A-K8P-M12-S-G-5M-BK-2-X-A-4-69](#) [A-K8P-M12-S-G-10M-BK-2-X-A-4-69](#) [A-K5P-M12-S-G-](#)
[10M-BK-2-X-A-4-69](#) [A-K4P-M12-S-G-2M-BK-2-X-A-4-69](#) [AZ/AZM201-B30-LTAG1P1](#) [SK-BETÄTIGER M3](#) [SK-BET.M4 KPL. M.KAP.](#)
[BETÄTIGER A1 KPL.](#)