

# A01ES-D series

Emergency stop switches •  
panel cut-out Ø 16 mm



## DISTINCTIVE FEATURES

Approved to EN 60947-5-5

5 prominent red actuator styles

Locked/unlocked status indicator option

AC15 1.5 A 250 VAC, 6 A 250 VAC

Panel sealed to IP65



## ENVIRONMENTAL SPECIFICATIONS

- Sealing options : front panel IP65, rear panel IP40 according to EN60947-5-5
- Operating temperature : -20 °C to +55 °C (-4 °F to +131 °F)



## ELECTRICAL SPECIFICATIONS

- Electrical function : push to shut off, twist to release
- Current/voltage rating : AC-15 1.5 A 250 VAC, 6 A 250 VAC
- Electrical life : 6,050 cycles
- Contact gap : > 3 mm
- Insulation resistance : 50 MΩ min
- Dielectric test voltage : 2,900 V



## GENERAL SPECIFICATIONS

- Panel thickness : 6 mm (.236) max.
- Mechanical life : 6,050 cycles
- Operating force : 18 to 20 N
- Torque : 0.8 Nm
- Soldering : 350 °C (662 °F) , 5 seconds (IEC 68-2-2-20Tb, method 2)
- Switch terminals : solder/ quick-connect 2.8 mm (.110) (IEC 68-2-20)

The company reserves the right to change specifications without notice.



# A01ES-D series

Emergency stop switches •  
panel cut-out Ø 16 mm



## MATERIALS

- Operator case : polyetherimide
- Actuator : polycarbonate
- Switch block : PBT
- Panel seal : neoprene

APEM products may be recycled at end-of-life for the re-claiming of valuable metal components.

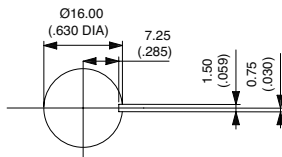
## AGENCY APPROVAL

Switch block approved to  
UL 1054 / VDE (EN 61058-1) and DEMKO (60947-5-5)

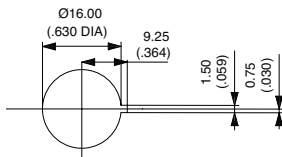


## PANEL CUT-OUT

A01ES-DM - A01ES-DSP3



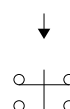
A01ES-D - A01ES-DF1- A01ES-DF2



## ELECTRICAL FUNCTIONS



Single pole  
Normally Closed



Double pole  
Normally Closed

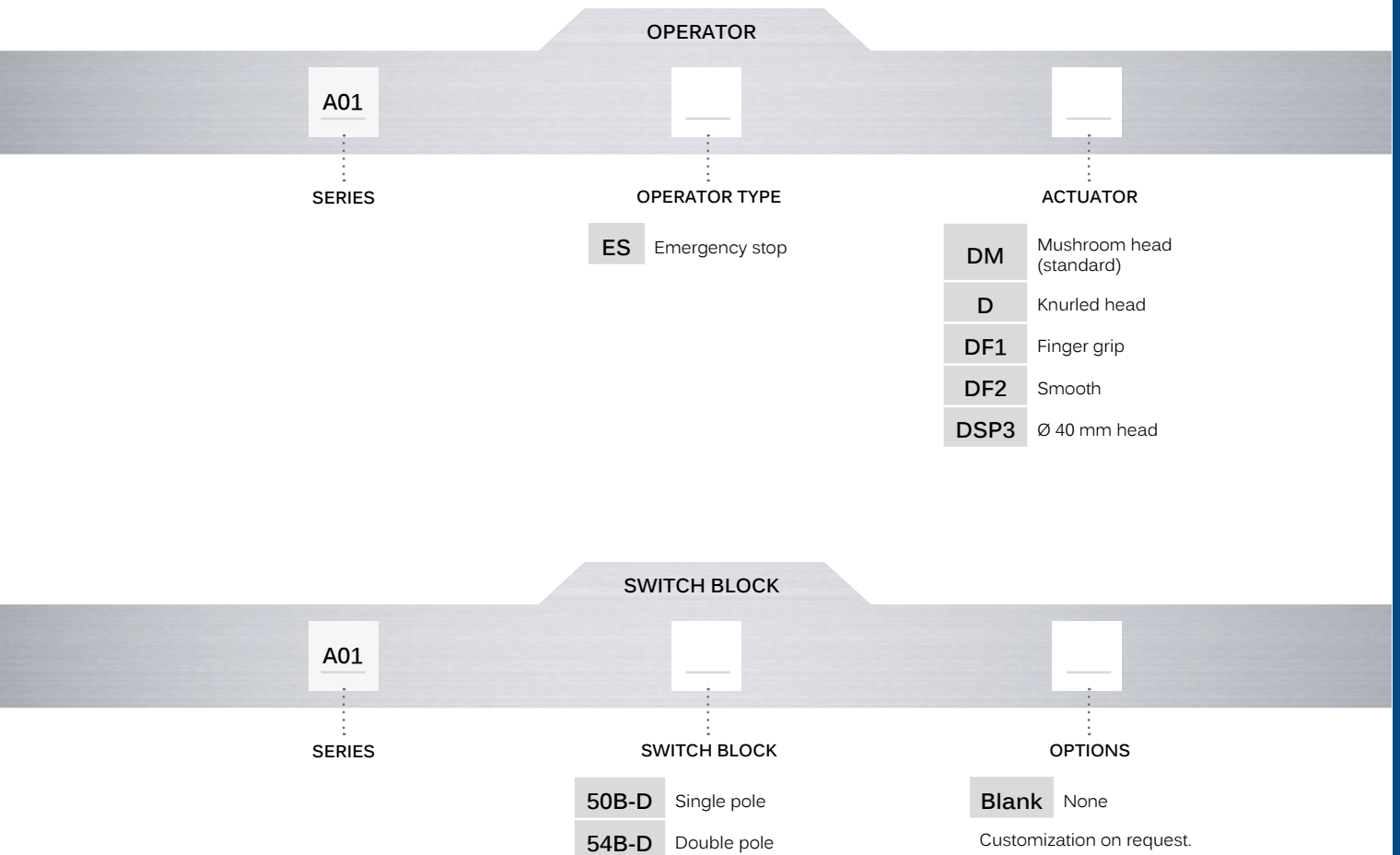
# A01ES-D series

Emergency stop switches •  
panel cut-out Ø 16 mm




## BUILD YOUR PART NUMBER

An emergency stop switch assembly requires : 1 operator + 1 switch block. Example : Ø 16 mm red twist to reset, knurled head actuator with double pole positive break switch block = A01ES-D + A0154B-D



## ABOUT THIS SERIES

 **Mounting accessories :** standard hardware supplied : 1 nut and 1 flat seal

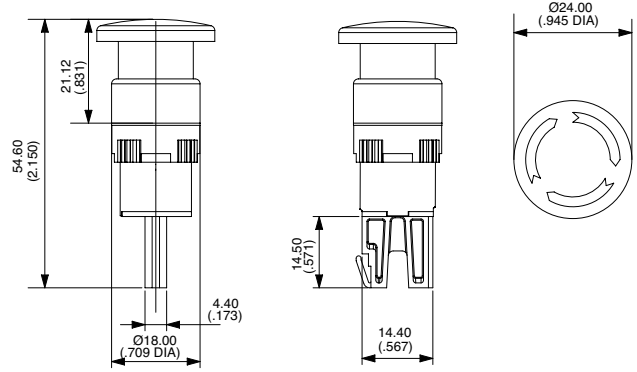
# A01ES-D series

Emergency stop switches •  
panel cut-out Ø 16 mm

## MUSHROOM HEAD ACTUATOR - STANDARD



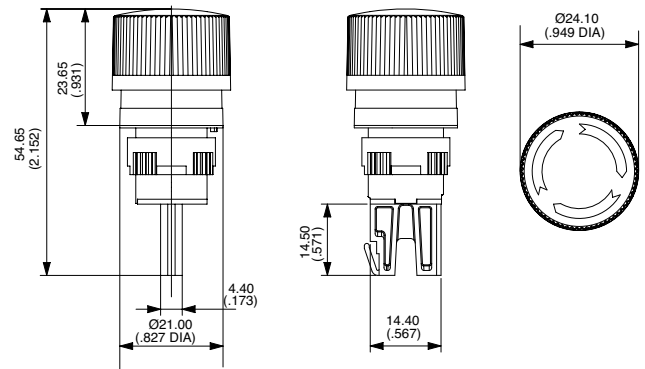
A01ES-DM



## KNURLED HEAD ACTUATOR



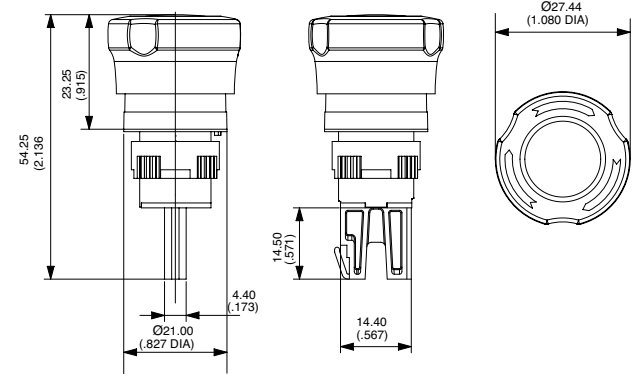
A01ES-D



## FINGER GRIP ACTUATOR



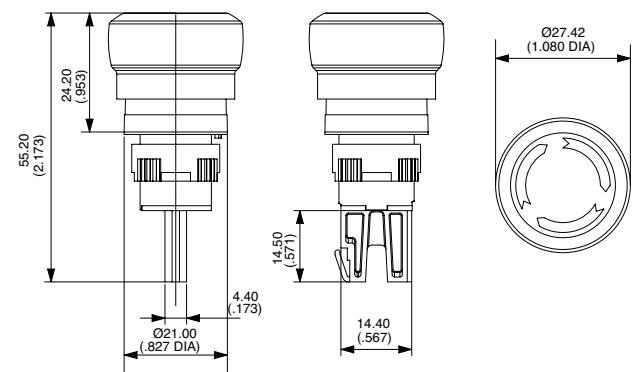
A01ES-DF1



## SMOOTH ACTUATOR



A01ES-DF2



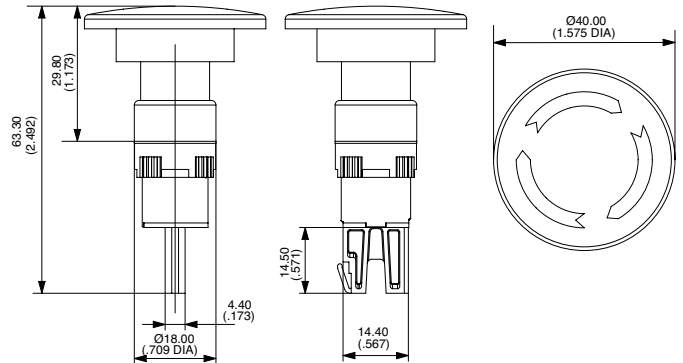
# A01ES-D series

Emergency stop switches •  
panel cut-out Ø 16 mm

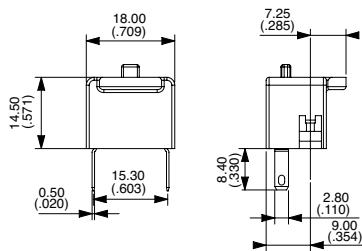
## Ø 40 MM HEAD ACTUATOR



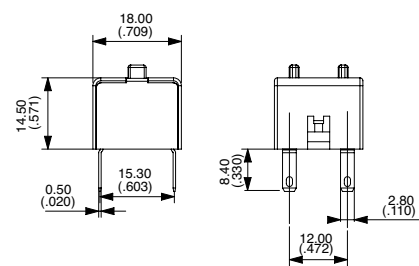
A01ES-DSP3



## SINGLE POLE SWITCH BLOCK: A0150B-D



## DOUBLE POLE SWITCH BLOCK: A0154B-D



## ACCESSORIES

Order separately.

### Ø 60 MM SELF-ADHESIVE LABEL

- A01YL1 English text
- A01YL2 Without text
- A01YL3 French text
- A01YL4 Italian text
- Other languages on request.



### NUT TOOL

30-0001 Nut tool



## X-ON Electronics

Largest Supplier of Electrical and Electronic Components

*Click to view similar products for [Emergency Stop Switches / E-Stop Switches](#) category:*

*Click to view products by [Apem](#) manufacturer:*

Other Similar products are found below :

[84-6830.0020](#) [AVN302N-R](#) [3050.1302Y](#) [44-710](#) [ZA2BV05](#) [951FY000-WO](#) [ER6022-022N](#) [952+2000-00](#) [ES3S51653001](#) [601+0000-OP](#)  
[E100-A2A22S05A](#) [FD 593-M2](#) [SR AL40ALK](#) [XCSA802](#) [XCSB502](#) [AZM 161SK-12/12RIA-024-B1](#) [84-5141-2B40](#) [84-6820.0020A](#) [84-](#)  
[6820.0040](#) [XY2CH13250H29](#) [XCSDMR590L01M12](#) [XCSTA892](#) [XCSMP80L5](#) [FB1W-HW1B-M220B](#) [FB1W-HW1B-X401R](#) [84-](#)  
[5221.2B20](#) [AYD311NUS](#) [AZM KEY \(M5\)](#) [AZ 17/170-B15](#) [TESZ1102/S](#) [AZM 161SK-12/12RKA-110/230](#) [AZM 415-11/11ZPK 24VAC/DC](#)  
[AZM 161-B1S](#) [AZ 15/16-B1-2245](#) [AZ 17/170-B11](#) [AZ 17-11ZI B5](#) [BNS 40S-12Z 10,0M](#) [AZ 16-02ZVRK-ST](#) [AZ/AZM 415-B2](#) [AZ/AZM](#)  
[415-B3](#) [BNS 260-02Z-L](#) [MZM 100-B1.1](#) [A-K8P-M12-S-G-5M-BK-2-X-A-4-69](#) [A-K8P-M12-S-G-10M-BK-2-X-A-4-69](#) [A-K5P-M12-S-G-](#)  
[10M-BK-2-X-A-4-69](#) [A-K4P-M12-S-G-2M-BK-2-X-A-4-69](#) [AZ/AZM201-B30-LTAG1P1](#) [SK-BETÄTIGER M3](#) [SK-BET.M4 KPL. M.KAP.](#)  
[BETÄTIGER A1 KPL.](#)