

A1 series

Pushbutton switches & indicators

Distinctive features and specifications

A1_AX1609US



- Panel Sealed to IP65
- Single pole to four pole changeover
- Custom chemically etched actuator
- Push on tab terminals
- 6A 250VAC

ELECTRICAL SPECIFICATIONS

- **Current/Voltage Rating** : 10mA 5VAC min, 6A 250VAC, 6A 12VDC
- **Initial Contact Resistance** : 10mΩ max at 1A 4VDC
- **Insulation Resistance** : 50MΩ min
- **Dielectric Strength** : 750V between open contacts, 5KV live to accessible
- **Electrical Life** : 50,000 cycles min
- **Contact Gap** : >1mm (0.039)
- **Insulation** : Class 2
- **Lamp Life** : LED, 60,000 hours to 75% relative luminosity filament, approx. 5000 hours neon, approx. 10,000 hours

MECHANICAL SPECIFICATIONS

- **Mechanical Life (operator)**: Momentary, 1 million cycles, maintained 100,000 cycles
- **Lamp** : Midget grove T1 ¼ filament, neon or LED
- **Terminals** : Solder/quick connect 2.8mm (0.110)

GENERAL SPECIFICATIONS

- **Operating Temperature** : -20°C to +55°C
- **Solder Heat resistance** : 350°C for 5 seconds
- **Sealing** : Panel sealed to IP65, rear of panel IP40

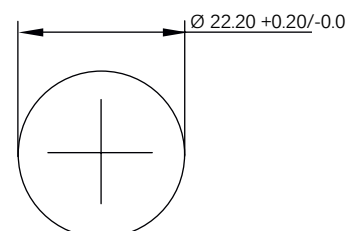
AGENCY APPROVALS



MATERIALS

- **Screens** : Anodised aluminium
- **Reflector Assembly** : Polycarbonate
- **Operator** : PBT
- **Bezel** : Anodised aluminium
- **Nut** : ABS
- **Camtrack Momentary** : PPE
- **Camtrack Maintained** : PPSU
- **Switch Block 1 & 2 Pole** : PBT
- **Switch Block 3 & 4 Pole** : PEI
- **Contacts** : Gold plated silver

PANEL CUT OUT



Dimensions : first dimensions are in mm while inches are shown in brackets. Refer to the following pages for further information.



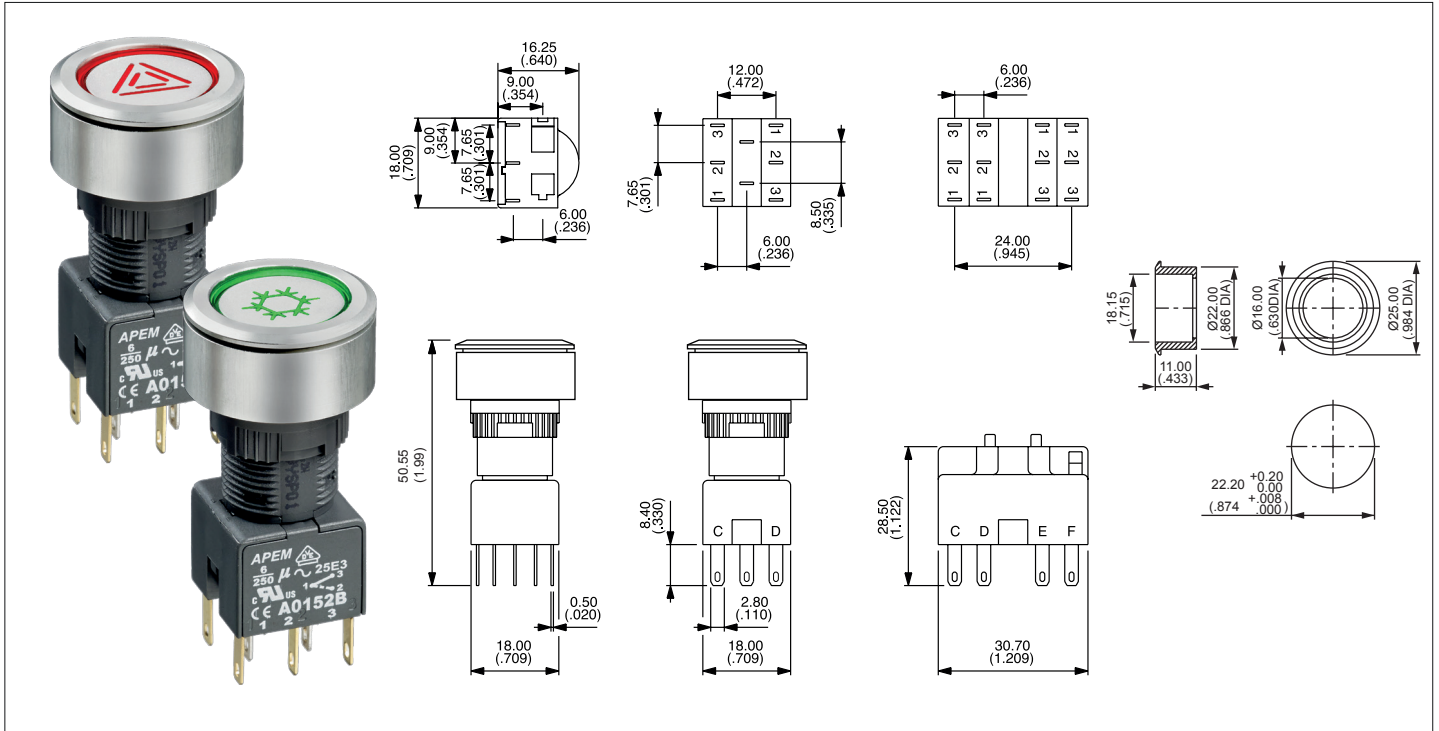
Mounting accessories : standard hardware 1 nut and 1 sealing washer.

A1 series

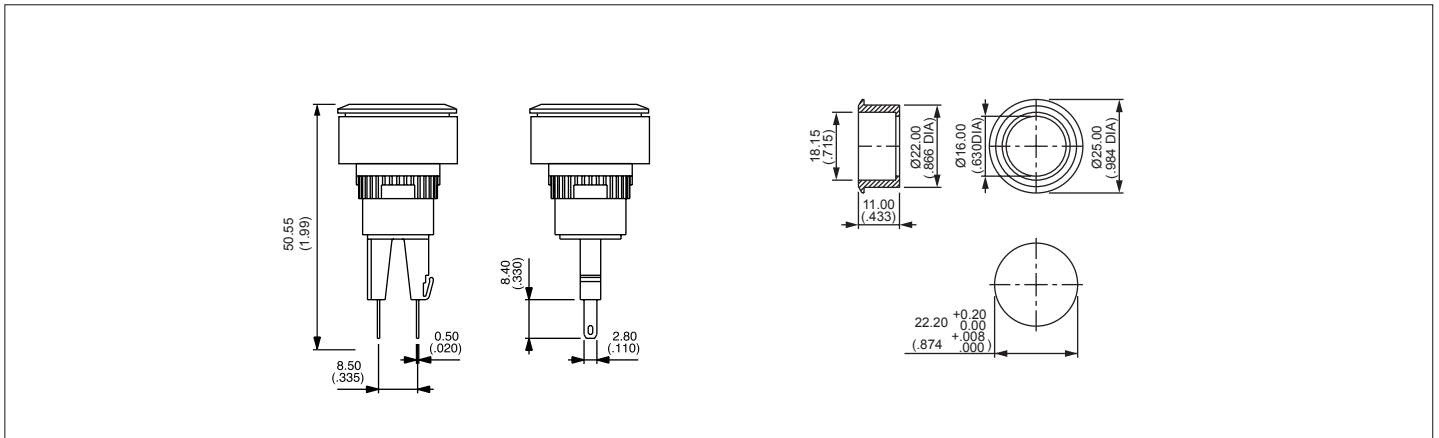
Pushbutton switches & indicators

Panel cut-out $\varnothing 22$ (0.866)

Pushbutton



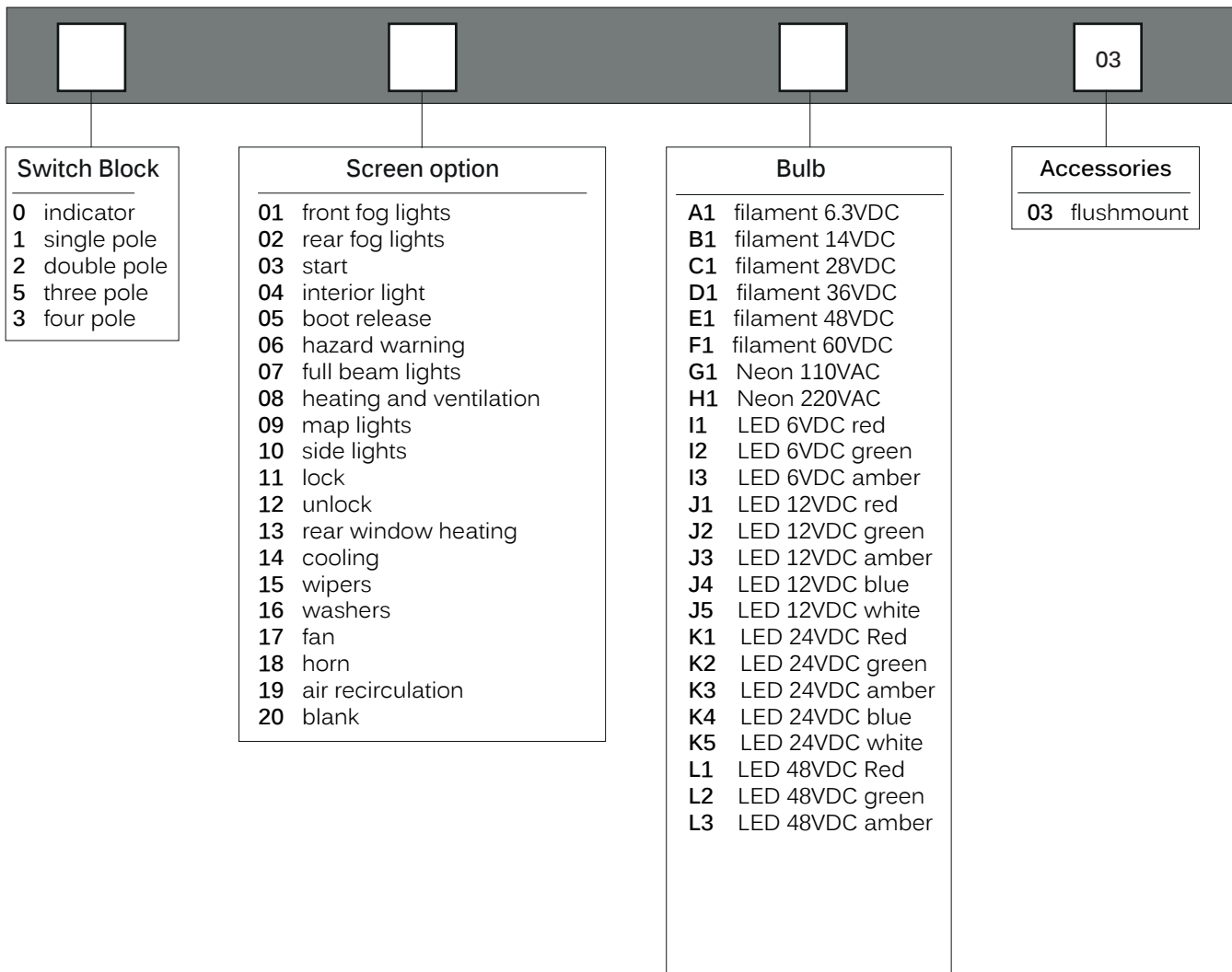
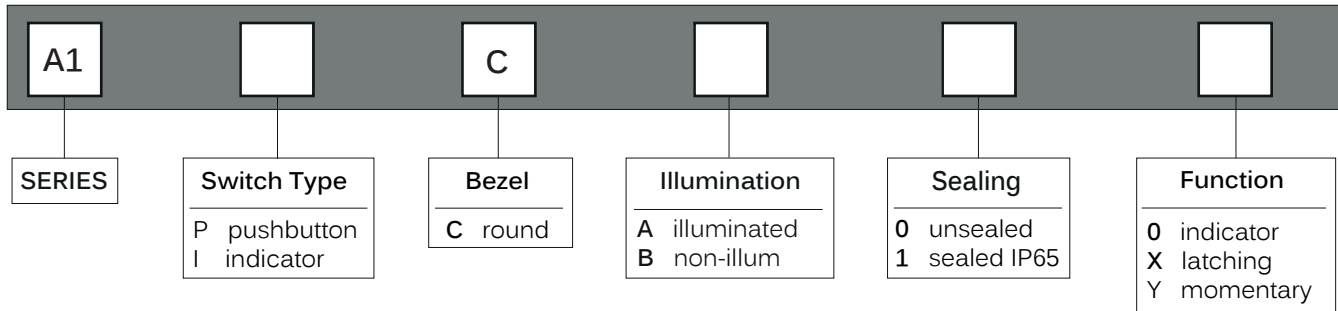
Indicator



A1 series

Pushbutton switches & indicators

Overview



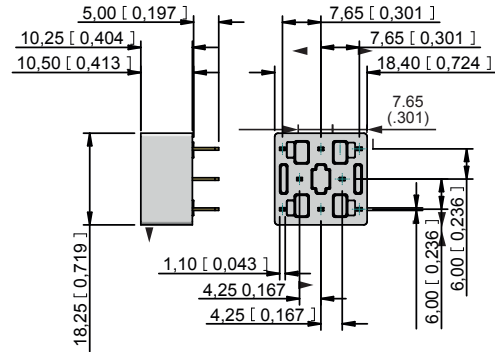
A1 series

Pushbutton switches & indicators

Accessories

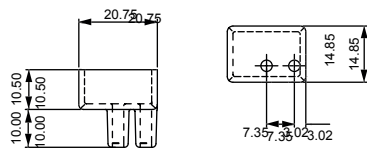
PCB Sockets

Number of Poles	Part No.
Single pole, non illuminated :	A01PC1
Double pole, non illuminated :	A01PC2
Single pole, illuminated :	A01PC3
Double pole, illuminated :	A01PC4
Indicator :	A01PC5



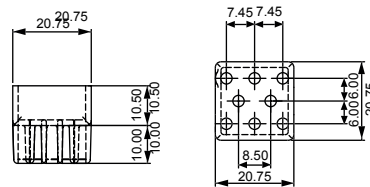
Terminal guards

Two way



Part number A01RTC2

Eight way



Part number A01RTC8

Tools

Nut fixing key



30-0001

Bulb remover



30-0002

X-ON Electronics

Largest Supplier of Electrical and Electronic Components

Click to view similar products for [Pushbutton Switches](#) category:

Click to view products by [Apem](#) manufacturer:

Other Similar products are found below :

[8940K2012](#) [LW1L-M1C10V-A](#) [LW1L-M1C70-A](#) [LW2L-A1C20M-GD](#) [LW2L-M1C20M-A](#) [60324L](#) [M22-D-R-GB0/K11](#) [M7E-HRN2](#)
[67021K512](#) [67081K512X](#) [701PB580](#) [7190K101](#) [7199K101](#) [810K12910](#) [810KSV30B](#) [MML21EA2ADK](#) [MML21KA3ABK](#)
[MML23KA3AC05K-001](#) [MML23KW3AA01W](#) [8418K2](#) [8442K3](#) [8450K1](#) [860K11911T01A](#) [861901](#) [861K11911T01A07](#)
[861K13810T00A14](#) [861K13911](#) [8646AB6X718UL](#) [8646ABUL](#) [9001KXRK](#) [907AYY100](#) [PMHD155A1](#) [95-313.000](#)
[9533CD4+U574+U4922](#) [95-414.000](#) [99-450.837](#) [99-453.837](#) [PV3H2B0NN-341](#) [1203MRA](#) [A22NZBGANGA](#) [A22NZBMMNGA](#)
[A22NZBNANGA](#) [A22NZMPATRA](#) [A2PMA1X03EC56](#) [A3A-5123-02](#) [A3A-7140](#) [A3A-7310](#) [A3A-7340](#) [A3U-TMW-A2C-5M](#) [A595](#)