

# A1 series

## Pushbutton switches & indicators

Distinctive features and specifications

A1\_AX1609US



- Panel Sealed to IP65
- Single pole to four pole changeover
- Custom chemically etched actuator
- Push on tab terminals
- 6A 250VAC

### ELECTRICAL SPECIFICATIONS

- **Current/Voltage Rating** : 10mA 5VAC min, 6A 250VAC, 6A 12VDC
- **Initial Contact Resistance** : 10mΩ max at 1A 4VDC
- **Insulation Resistance** : 50MΩ min
- **Dielectric Strength** : 750V between open contacts, 5KV live to accessible
- **Electrical Life** : 50,000 cycles min
- **Contact Gap** : >1mm (0.039)
- **Insulation** : Class 2
- **Lamp Life** : LED, 60,000 hours to 75% relative luminosity filament, approx. 5000 hours neon, approx. 10,000 hours

### MECHANICAL SPECIFICATIONS

- **Mechanical Life (operator)**: Momentary, 1 million cycles, maintained 100,000 cycles
- **Lamp** : Midget grove T1 ¼ filament, neon or LED
- **Terminals** : Solder/quick connect 2.8mm (0.110)

### GENERAL SPECIFICATIONS

- **Operating Temperature** : -20°C to +55°C
- **Solder Heat resistance** : 350°C for 5 seconds
- **Sealing** : Panel sealed to IP65, rear of panel IP40

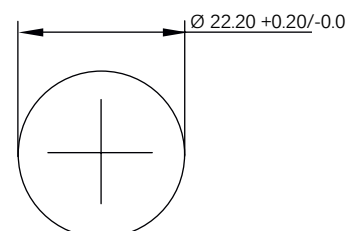
### AGENCY APPROVALS



### MATERIALS

- **Screens** : Anodised aluminium
- **Reflector Assembly** : Polycarbonate
- **Operator** : PBT
- **Bezel** : Anodised aluminium
- **Nut** : ABS
- **Camtrack Momentary** : PPE
- **Camtrack Maintained** : PPSU
- **Switch Block 1 & 2 Pole** : PBT
- **Switch Block 3 & 4 Pole** : PEI
- **Contacts** : Gold plated silver

### PANEL CUT OUT



Dimensions : first dimensions are in mm while inches are shown in brackets. Refer to the following pages for further information.



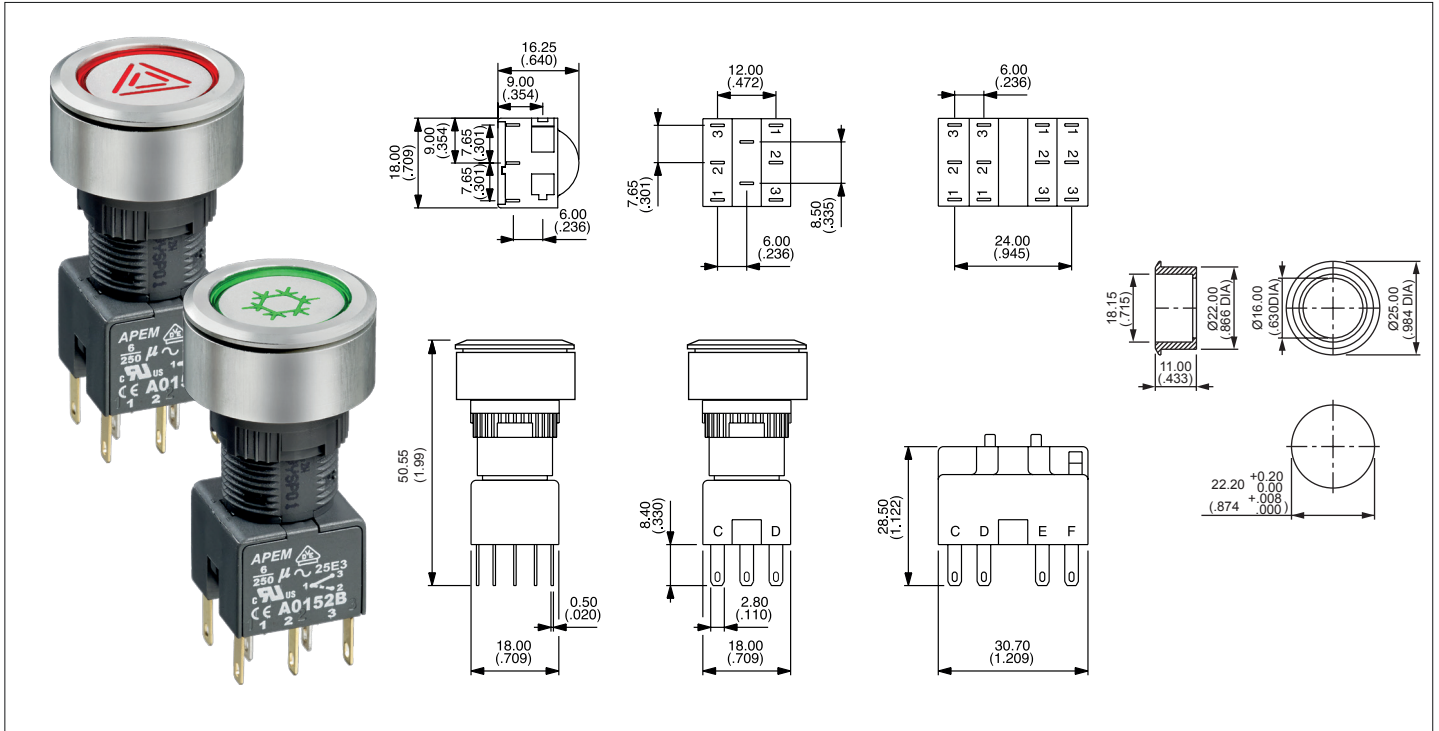
Mounting accessories : standard hardware 1 nut and 1 sealing washer.

# A1 series

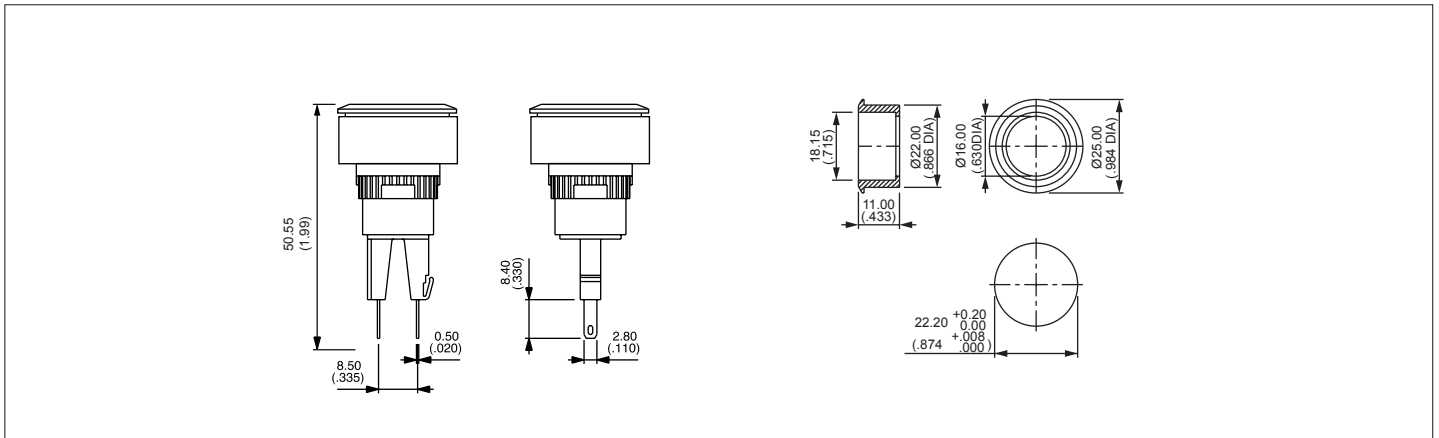
## Pushbutton switches & indicators

Panel cut-out Ø22 (0.866)

### Pushbutton



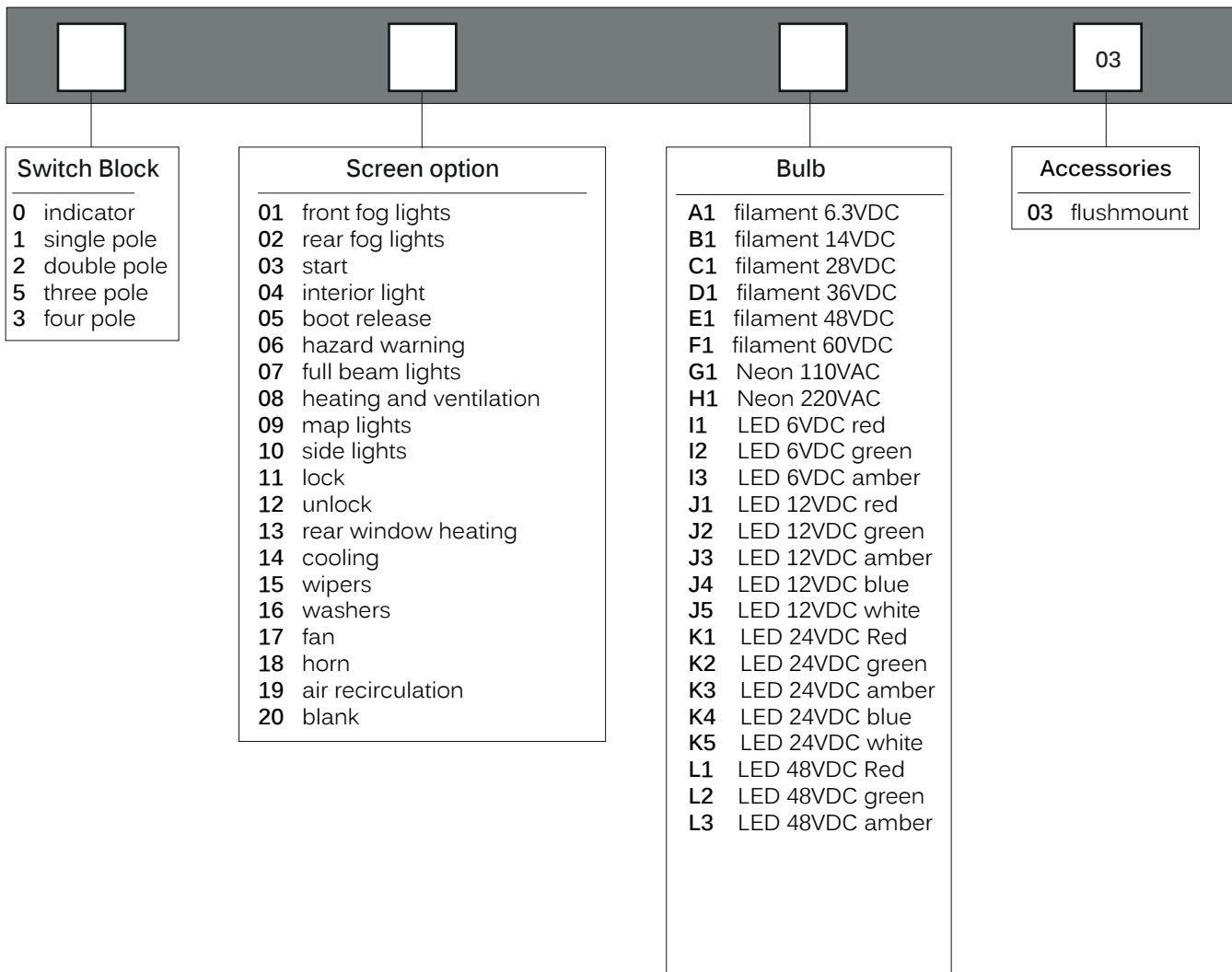
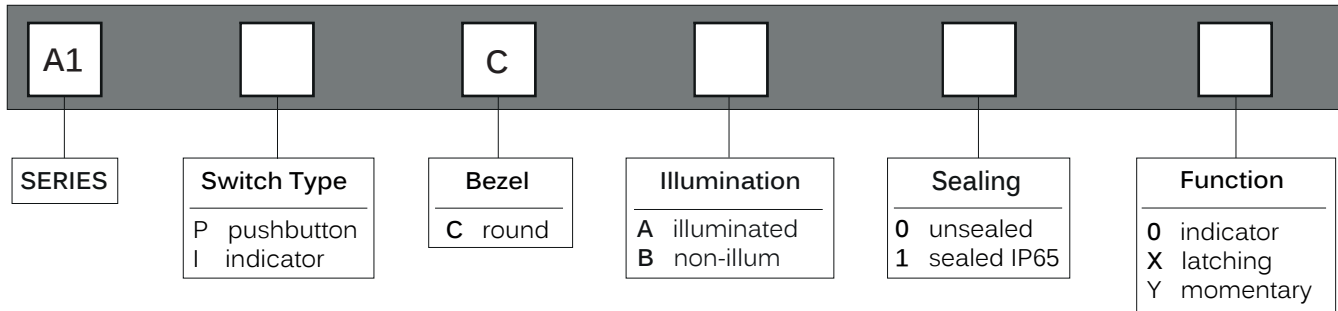
### Indicator



# A1 series

## Pushbutton switches & indicators

Overview



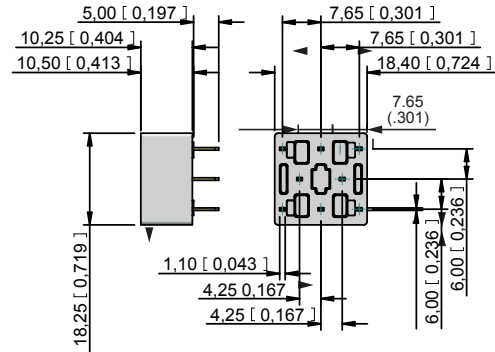
# A1 series

## Pushbutton switches & indicators

Accessories

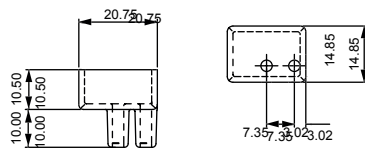
### PCB Sockets

Number of Poles	Part No.
Single pole, non illuminated :	A01PC1
Double pole, non illuminated :	A01PC2
Single pole, illuminated :	A01PC3
Double pole, illuminated :	A01PC4
Indicator :	A01PC5



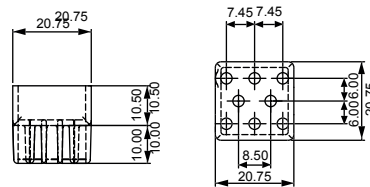
### Terminal guards

Two way



Part number A01RTC2

Eight way



Part number A01RTC8

### Tools

Nut fixing key



30-0001

Bulb remover



30-0002

## X-ON Electronics

Largest Supplier of Electrical and Electronic Components

*Click to view similar products for [Switch Fixings](#) category:*

*Click to view products by [Apem](#) manufacturer:*

Other Similar products are found below :

[893102000](#) [00-5150](#) [LZZ1A](#) [0098.9234](#) [M2PA-5011](#) [630155](#) [635401](#) [6PA113](#) [6PA147-E6](#) [6PA148-E6](#) [6PA32](#) [6PA9](#) [700106](#) [700109](#)  
[700303A56](#) [700C1GRY](#) [700C2GRN](#) [704-6001](#) [704.960.9](#) [704.965.2](#) [704.965.6](#) [704.966.0](#) [7089-3](#) [710082-B11](#) [71M1048](#) [757200264](#)  
[764300000](#) [MHU35](#) [MHU37](#) [807039-1](#) [825.003.011](#) [825.005.011](#) [825.053.011](#) [825.055.011](#) [826.000.071](#) [827.020.011](#) [827.400.021](#)  
[835.900.023](#) [MML52C10C](#) [MML52E10C](#) [MML92HGH](#) [MML93K](#) [84211M02CNNS](#) [84212M02CNNS](#) [842.500.011](#) [843.000.011](#) [843187-000](#) [843487-000](#) [84-901](#) [84-902](#)