

# A1 series

## Pushbutton switches & indicators

Distinctive features and specifications

A1\_AX1609US



- Panel Sealed to IP65
- Single pole to four pole changeover
- Custom chemically etched actuator
- Push on tab terminals
- 6A 250VAC

### ELECTRICAL SPECIFICATIONS

- **Current/Voltage Rating** : 10mA 5VAC min, 6A 250VAC, 6A 12VDC
- **Initial Contact Resistance** : 10mΩ max at 1A 4VDC
- **Insulation Resistance** : 50MΩ min
- **Dielectric Strength** : 750V between open contacts, 5KV live to accessible
- **Electrical Life** : 50,000 cycles min
- **Contact Gap** : >1mm (0.039)
- **Insulation** : Class 2
- **Lamp Life** : LED, 60,000 hours to 75% relative luminosity filament, approx. 5000 hours neon, approx. 10,000 hours

### MECHANICAL SPECIFICATIONS

- **Mechanical Life (operator)**: Momentary, 1 million cycles, maintained 100,000 cycles
- **Lamp** : Midget grove T1 ¼ filament, neon or LED
- **Terminals** : Solder/quick connect 2.8mm (0.110)

### GENERAL SPECIFICATIONS

- **Operating Temperature** : -20°C to +55°C
- **Solder Heat resistance** : 350°C for 5 seconds
- **Sealing** : Panel sealed to IP65, rear of panel IP40

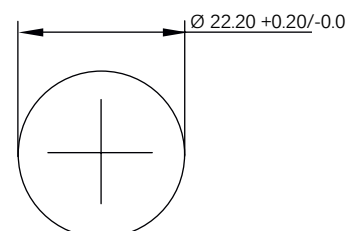
### AGENCY APPROVALS



### MATERIALS

- **Screens** : Anodised aluminium
- **Reflector Assembly** : Polycarbonate
- **Operator** : PBT
- **Bezel** : Anodised aluminium
- **Nut** : ABS
- **Camtrack Momentary** : PPE
- **Camtrack Maintained** : PPSU
- **Switch Block 1 & 2 Pole** : PBT
- **Switch Block 3 & 4 Pole** : PEI
- **Contacts** : Gold plated silver

### PANEL CUT OUT



Dimensions : first dimensions are in mm while inches are shown in brackets. Refer to the following pages for further information.



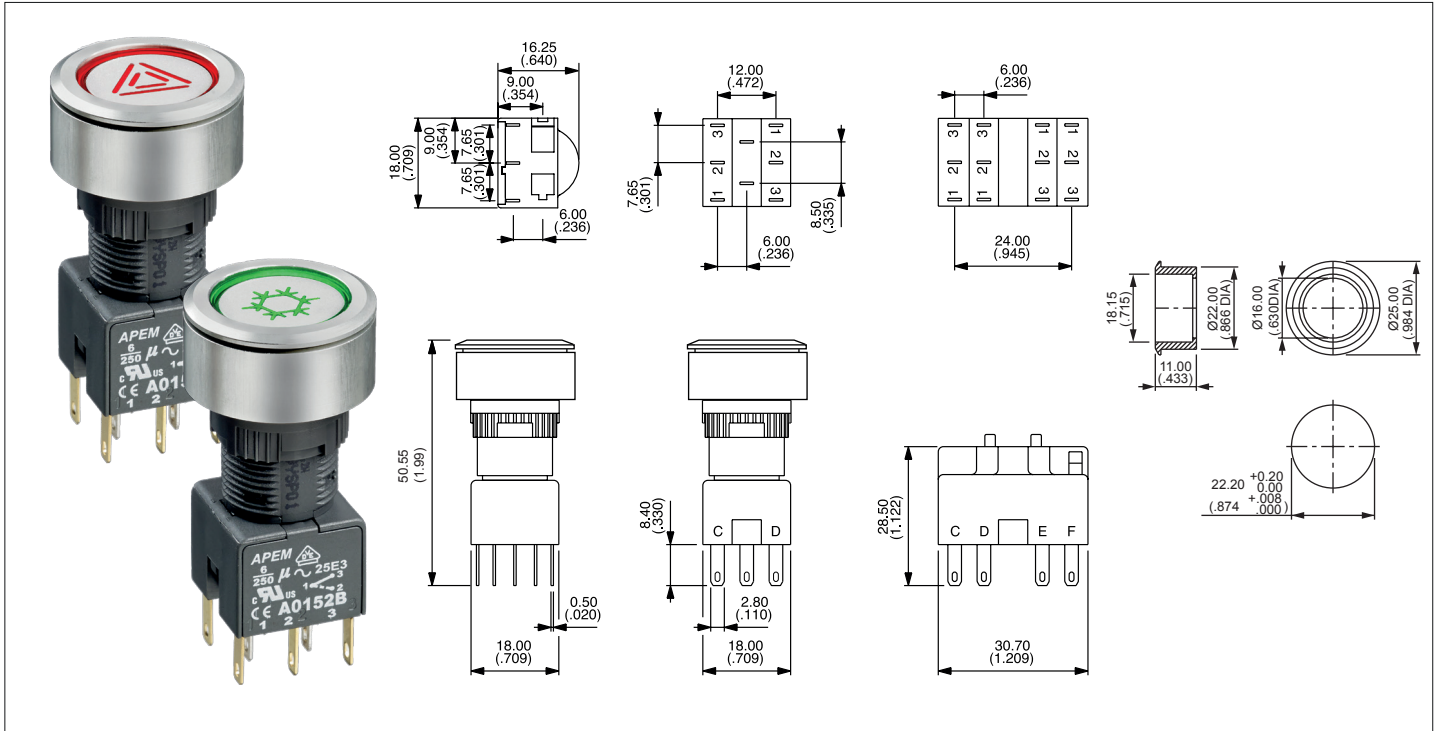
Mounting accessories : standard hardware 1 nut and 1 sealing washer.

# A1 series

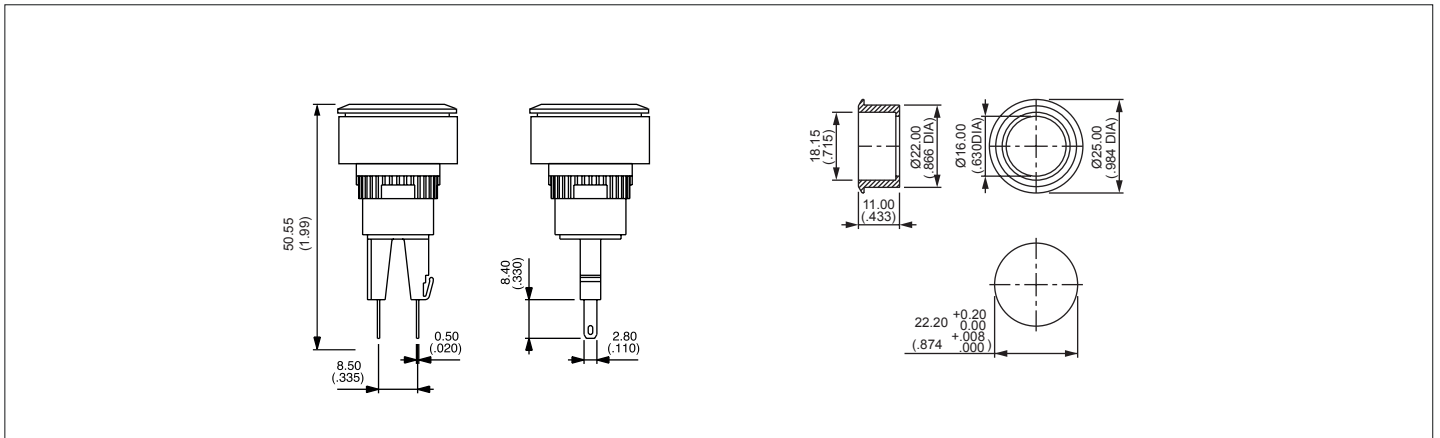
## Pushbutton switches & indicators

Panel cut-out Ø22 (0.866)

### Pushbutton



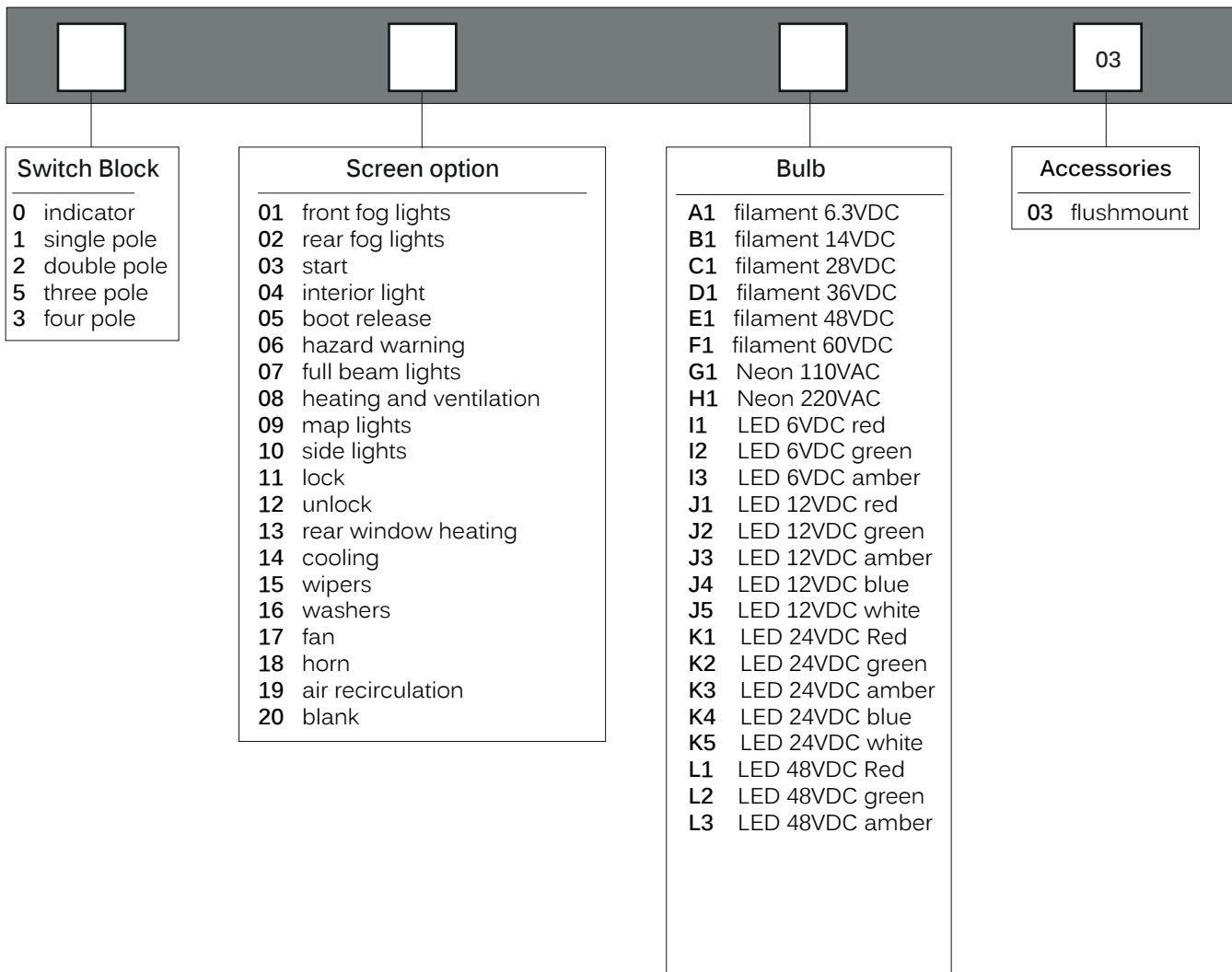
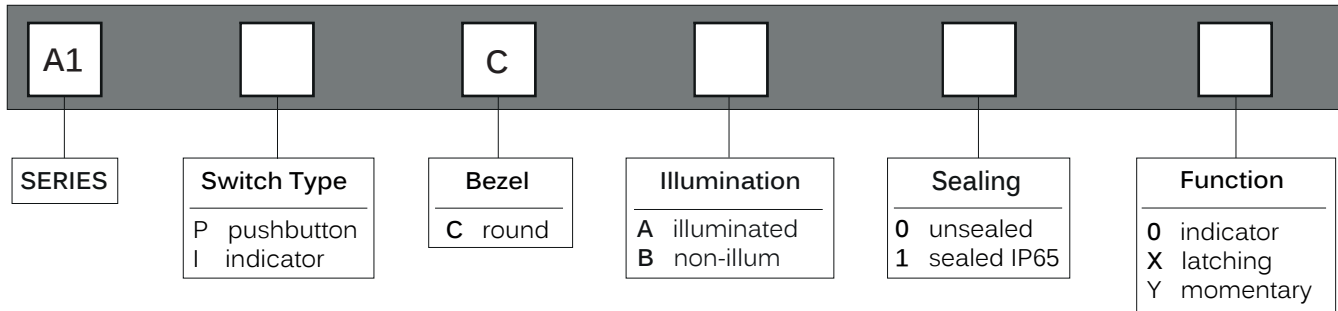
### Indicator



# A1 series

## Pushbutton switches & indicators

Overview



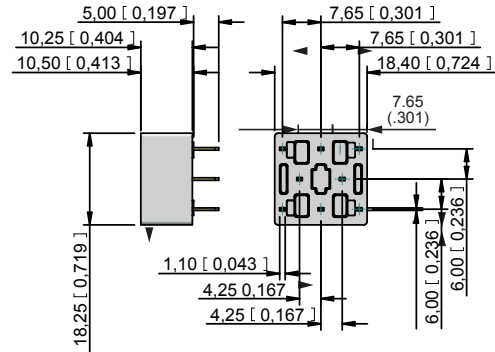
# A1 series

## Pushbutton switches & indicators

Accessories

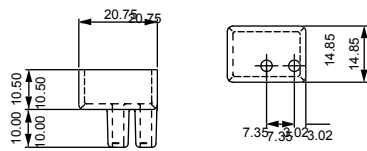
### PCB Sockets

Number of Poles	Part No.
Single pole, non illuminated :	A01PC1
Double pole, non illuminated :	A01PC2
Single pole, illuminated :	A01PC3
Double pole, illuminated :	A01PC4
Indicator :	A01PC5



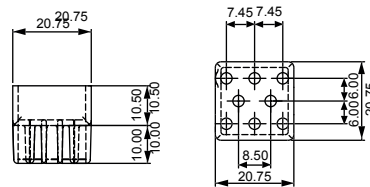
### Terminal guards

Two way



Part number A01RTC2

Eight way



Part number A01RTC8

### Tools

Nut fixing key



30-0001

Bulb remover



30-0002

## X-ON Electronics

Largest Supplier of Electrical and Electronic Components

*Click to view similar products for [Keylock Switches](#) category:*

*Click to view products by [Apem](#) manufacturer:*

Other Similar products are found below :

[89496-09](#) [58J1007](#) [58J8A45-01B05N](#) [719-0201-000](#) [719-0202-000](#) [719-0702-000](#) [719-5504-000](#) [84800-04](#) [GKNC33L](#) [GKNC3L](#)  
[PVA2OAH5](#) [HA1K-2C2VA-2](#) [14-136.025K](#) [14-235.022K](#) [AS6H-2K2A](#) [AS6M-2K1B](#) [AS6Q-2K2A](#) [AS6Q-3K2A](#) [1571487-1](#) [KEY-AS6](#)  
[KH3C-20C](#) [8928K493](#) [2SWK131AL102](#) [AS6M-2K1A](#) [AS6Q-2K1PB](#) [51-401.036D](#) [51-401.036K](#) [51-414.036D](#) [HW1K-31BF20](#) [HW1K-](#)  
[3HF20](#) [Y1112-2027CLFT](#) [51-155.025D](#) [51-404.036D](#) [51-405.036D](#) [1-1437597-8](#) [58J8A36-01B04N](#) [58M1422](#) [86945-05](#) [719-0204-000](#)  
[719-0205-000](#) [719-0801-000](#) [719-0804-000](#) [719-0805-000](#) [88422-18](#) [58J8A90-01C02N](#) [58J9P36-01B09N](#) [58J8A36-01C03N](#) [GKRA3K1A2-](#)  
[F03-C](#) [GKBB14L6](#) [14-236.025K1020](#)