

A02ES-I series

Emergency stop switches •
panel cut-out Ø 22 mm



DISTINCTIVE FEATURES

Approved to EN 60947-5-5, UL 508 and CSA C22.2 No 14-10

Pull or twist to release

AC-12, 6 A 240 VAC / DC-12, 8 A 24 VDC

Panel sealed to IP65

Illuminated model available



ELECTRICAL SPECIFICATIONS

- Electrical function : push to shut off, pull or twist to release
- Current/voltage rating :
AC-12, 10 A 24 VAC / 6 A 240 VAC
DC-12, 8 A 24 VDC
AC-15, 10 A 24 VAC / 3 A 240 VAC
DC-13, 4 A 24 VDC
- Electrical life : 100,000 cycles with one contact block
- Insulation resistance : 100 MΩ min.
- Dielectric strength : contact block 2,500 Vrms
- Contacts : silver

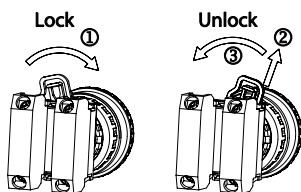


GENERAL SPECIFICATIONS

- Front panel sealing : IP65
- Terminal IP20 (fingersafe)
- Panel thickness : 6 mm (.236) max.
- Low level or mechanical life : 250,000 cycles w. one contact block
- Operating temperature : -20 °C to +55 °C (-4 °F to +131 °F)
- Switch terminals : M3.5 screws



MOUNTING LOCKING SYSTEM



The company reserves the right to change specifications without notice. Not for sale in Japan.



A02ES-I series

Emergency stop switches •
panel cut-out Ø 22 mm

AGENCY APPROVALS



UL 508
CSA C22.2 No 14-10



EN 60947-5-5

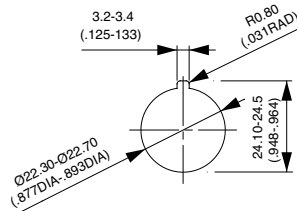


ABOUT THIS SERIES

- **Mounting accessories :**
standard hardware supplied : 1 nut and 1 flat panel seal



PANEL CUT-OUT



ELECTRICAL FUNCTIONS



Single pole
Normally closed



Double pole
Normally closed



Three pole
Normally closed

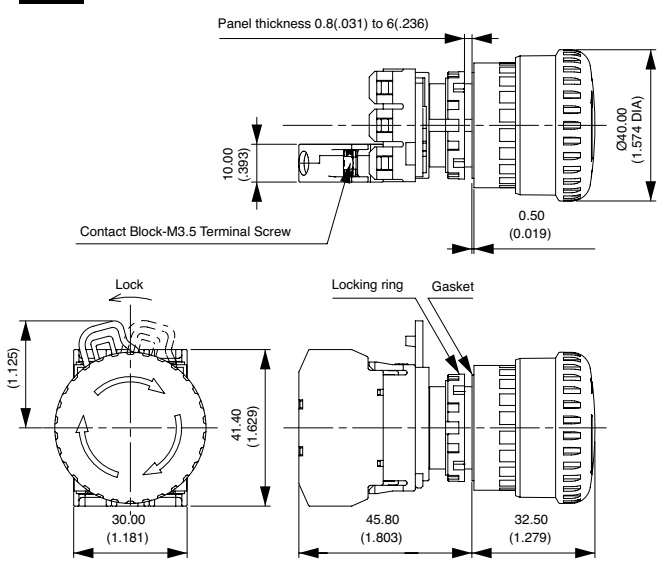
A02ES-I series

Emergency stop switches • panel cut-out Ø 22 mm

SINGLE POLE - NORMALLY CLOSED



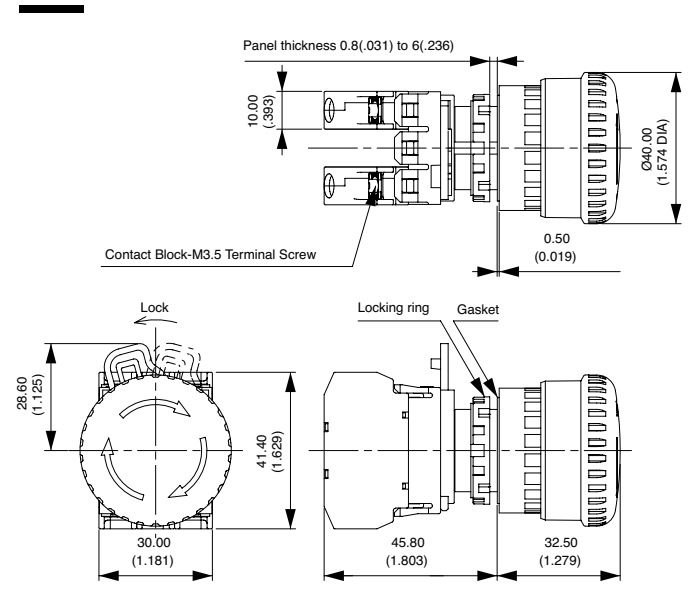
A02ESI3B101IX0



DOUBLE POLE - NORMALLY CLOSED



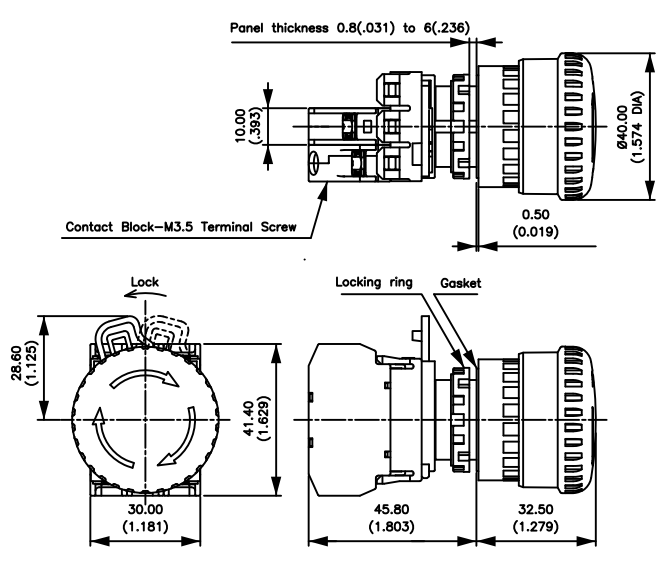
A02ESI3B102IX0



SINGLE POLE - NORMALLY CLOSED ILLUMINATED



With LED 24V
A02ESI4B101IR2



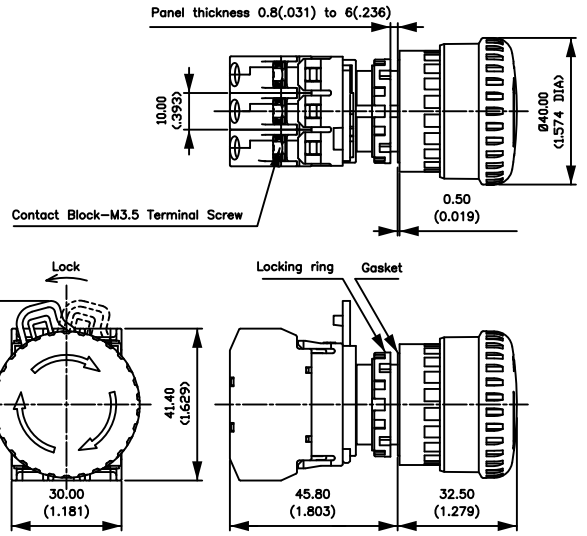
A02ES-I series

Emergency stop switches •
panel cut-out Ø 22 mm

THREE POLE – NORMALLY CLOSED



A02ESI3B103IX0

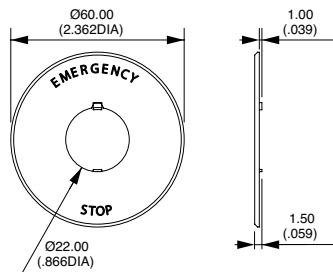


ACCESSORIES

Order separately.

Ø 60 MM NAME PLATE

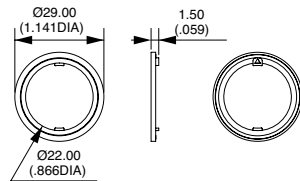
A02-U27Y



Legend "EMERGENCY STOP" is indicated outside a Ø 44 mm circle.

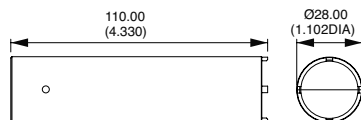
ANTI-ROTATION RING

A02-U9ZRL



LOCKING RING WRENCH

A02-9ZT1



X-ON Electronics

Largest Supplier of Electrical and Electronic Components

Click to view similar products for [Emergency Stop Switches / E-Stop Switches](#) category:

Click to view products by [Apem](#) manufacturer:

Other Similar products are found below :

[84-6830.0020](#) [AVN302N-R](#) [3050.1302Y](#) [44-710](#) [ZA2BV05](#) [951FY000-WO](#) [ER6022-022N](#) [952+2000-00](#) [ES3S51653001](#) [601+0000-OP](#)
[E100-A2A22S05A](#) [FD 593-M2](#) [SR AL40ALK](#) [XCSA802](#) [XCSB502](#) [AZM 161SK-12/12RIA-024-B1](#) [84-5141-2B40](#) [84-6820.0020A](#) [84-](#)
[6820.0040](#) [XY2CH13250H29](#) [XCSDMR590L01M12](#) [XCSTA892](#) [XCSMP80L5](#) [FB1W-HW1B-M220B](#) [FB1W-HW1B-X401R](#) [84-](#)
[5221.2B20](#) [AYD311NUS](#) [AZM KEY \(M5\)](#) [AZ 17/170-B15](#) [TESZ1102/S](#) [AZM 161SK-12/12RKA-110/230](#) [AZM 415-11/11ZPK 24VAC/DC](#)
[AZM 161-B1S](#) [AZ 15/16-B1-2245](#) [AZ 17/170-B11](#) [AZ 17-11ZI B5](#) [BNS 40S-12Z 10,0M](#) [AZ 16-02ZVRK-ST](#) [AZ/AZM 415-B2](#) [AZ/AZM](#)
[415-B3](#) [BNS 260-02Z-L](#) [MZM 100-B1.1](#) [A-K8P-M12-S-G-5M-BK-2-X-A-4-69](#) [A-K8P-M12-S-G-10M-BK-2-X-A-4-69](#) [A-K5P-M12-S-G-](#)
[10M-BK-2-X-A-4-69](#) [A-K4P-M12-S-G-2M-BK-2-X-A-4-69](#) [AZ/AZM201-B30-LTAG1P1](#) [SK-BETÄTIGER M3](#) [SK-BET.M4 KPL. M.KAP.](#)
[BETÄTIGER A1 KPL.](#)