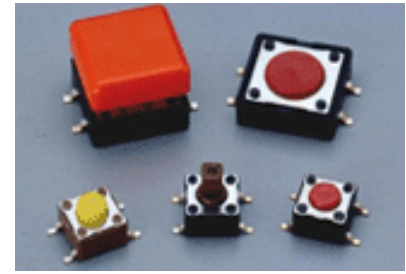


**ADTS6, ADTSM &  
AKTSC6 SERIES  
(SQUARE STEM WITH CAP OPTIONS)  
MECHANICAL CONTACT STYLE**



**FEATURES**

- Positive tactile feedback.
- Ultraminiature structure suitable for high density mounting. Economic but high reliability.
- Insert molded terminals prevent flux build-up during soldering.

**MATERIALS**

|               |  |
|---------------|--|
| COVER:        | Stainless steel.   |
| BASE:         | UL94V-0 Nylon Thermoplastic.<br>Color: Black   |
| STEM:         | UL94V-0 Nylon Thermoplastic.<br>Color: Black(100gf), Brown(160gf), Red(260gf), Salmon(320gf), Yellow(520gf)<br>Silicone rubber Color: Red(300gf) |
| CONTACT DISC: | Phosphor bronze with silver cladding.  |
| TERMINAL:     | Brass with silver plating.   |
| CAP:          | Termoplastic ABS.  |

**GENERAL SPECIFICATIONS**

**ELECTRICALS**

|                        |   |
|------------------------|---|
| Electrical life:       | 100,000 cycles for 320gf, 520gf.<br>100,000 cycles for 260gf.<br>200,000 cycles for 100gf, 160gf. |
| Rating:                | 50 mA, 12 VDC.  |
| Contact resistance:    | 100 milliohms max.  |
| Insulation resistance: | 100 megohms min. 500 VDC.   |
| Dielectric Strength:   | 250 VAC /1 minute.  |
| Contact Arrangement:   | 1 pole 1 throw.   |

**MECHANICALS**

|                              |   |
|------------------------------|---|
| Operational Force:           | 520 ± 130gf Brown (Y)<br>320 ± 80gf Brown (S)<br>260 ± 50gf Red (R)<br>160 ± 50gf Brown (N)<br>100 ± 50gf Black (K)   |
| Stop Strength:               | Max 3kgf vertical static load continuously for 15 seconds.  |
| Stoke:                       | (12x12) 0.35 ± 0.1 mm<br>(6x6) 0.25 + 0.2 mm<br>- 0.1 mm  |
| Operating Temperature Range: | -25°C to + 70°C   |
| Storage Temperature Range:   | -30°C to + 80°C   |
| Vibration resistance:        | MIL-STD-202F METHOD 201A.<br>Frequency: 10-55-10Hz/1 minute.<br>Directions: X,Y,Z, three mutually perpendicular directions.<br>Time: 2 hours each direction.<br>High reliability. |
| Shock resistance:            | MIL-STD-202F METHOD 213B.<br>Frequency: 10-55-10Hz/1 minute.<br>Directions: X,Y,Z, three mutually perpendicular directions.<br>Time: 2 hours each direction.<br>High reliability. |

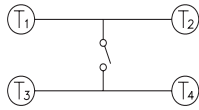
SPECIFICATIONS SUBJECT TO CHANGE WITHOUT NOTICE.

**SOLDERING PROCESSES**

WAVE SOLDERING: Recommended solder temperature at 500°F (260°C) max. 5 seconds subject to PCB 1.6mm thickness. (For through hole type)

HAND SOLDERING: Use a soldering iron of 30 watts, controlled at 350°C approximately 5 seconds while applying solder.

**CIRCUIT**



**HOW TO ORDER**

ADTS



Package Style:

= Bulk Pack

\* B = Tube

\* Except ADTS-63, 644, 648, 65, 66

Soldering:

V = Lead Free

Color Of Stem For Operating Force:

K= Black, 100gf

N = Brown, 160gf

R = Red, 260gf

S = Salmon, 320gf

Y = Yellow, 520gf

N/K = Black, 160gf

< 12 x 12, K, Y Unavailable >

Dimension H:

6 x 6mm:

1 = 4.3mm

2 = 5.0mm

3 = 7.0mm

44= 7.3mm (SQ.) x 2.4mm

48= 7.3mm (SQ.) x 2.8mm

5 = 9.5mm

6 = 13mm

12 x 12mm:

1 = 4.3mm

4 = 7.3mm (SQ.) x 3.8mm

5 = 8.5mm

Prod. Size

6 = 6.6mm

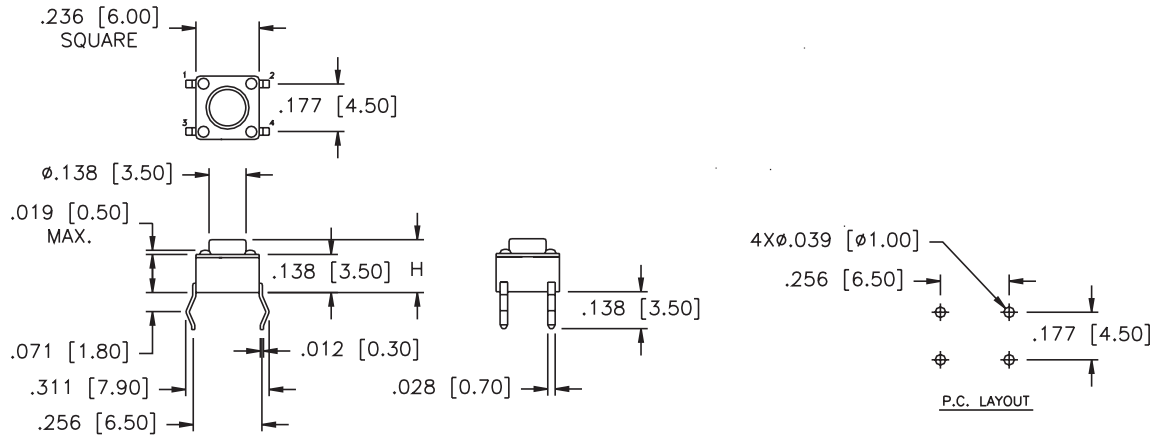
2 = 12 x 12mm

= None Post

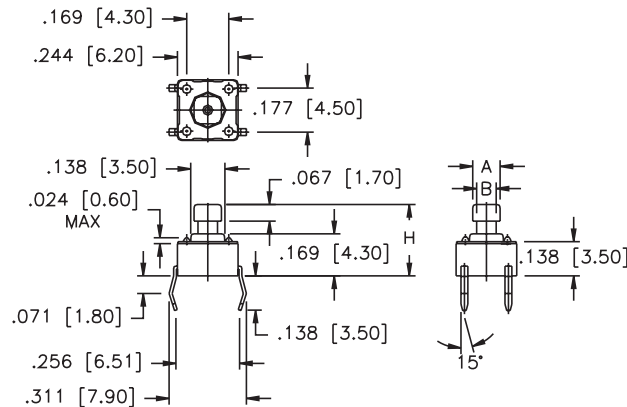
M = Surface Mount

SPECIFICATIONS SUBJECT TO CHANGE WITHOUT NOTICE.

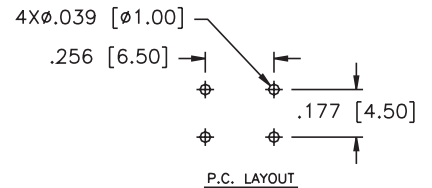
**ADTS6\*\*V**



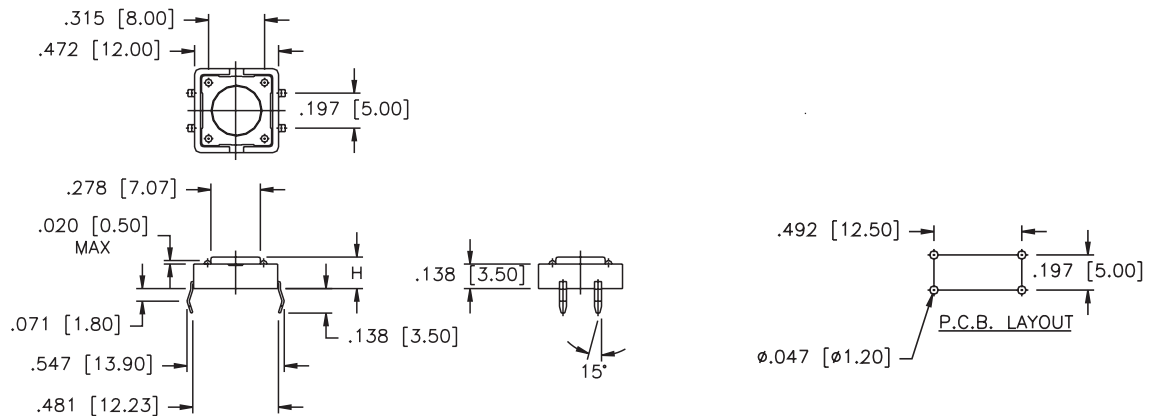
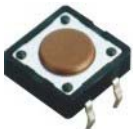
**ADTS64\*\*V**



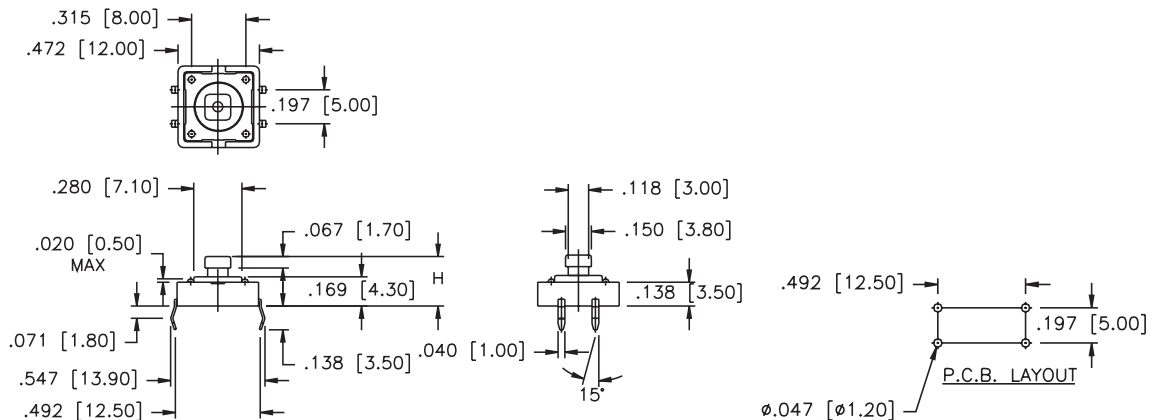
| PRODUCT NO.       | LOC. | MM. | INCH   |
|-------------------|------|-----|--------|
| <b>ADTS644*V</b>  | A    | 2.4 | [.095] |
|                   | B    | 1.6 | [.063] |
| <b>ADTS648* V</b> | A    | 2.8 | [.110] |
|                   | B    | 2.0 | [.079] |



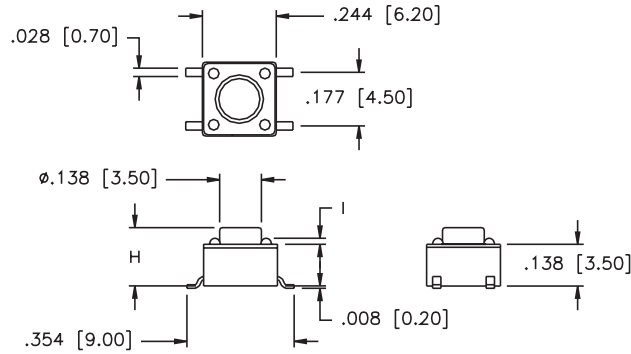
**ADTS2\*\*V**



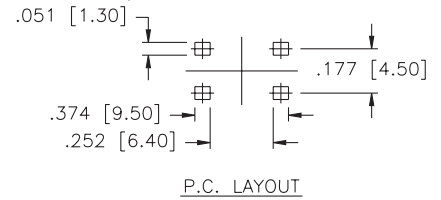
**ADTS24\*V**



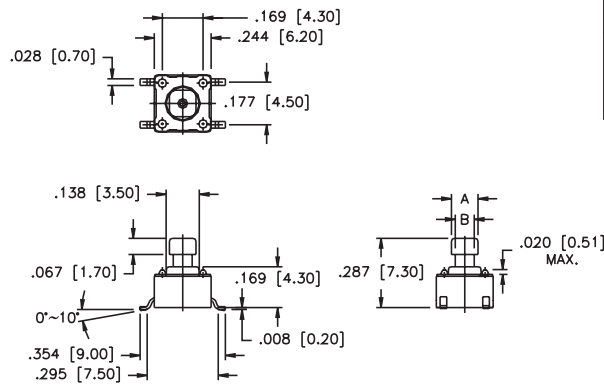
**ADTSM6\*\*V**



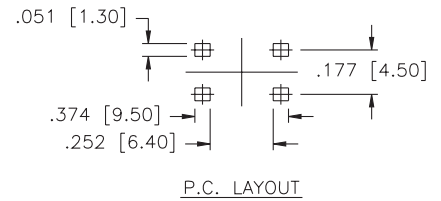
| PART NUMBER. | DIM. I    |
|--------------|-----------|
| ADTSM62-66*  | .024 MAX. |
| ADTSM61*     | .020 MAX. |



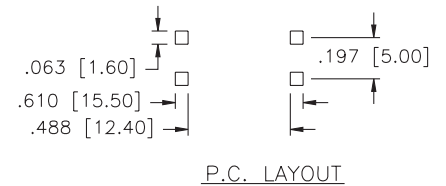
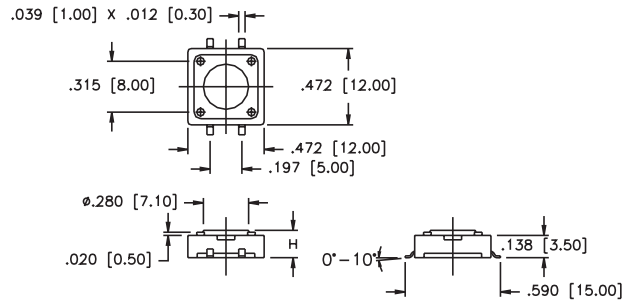
**ADTSM64\*\*V**



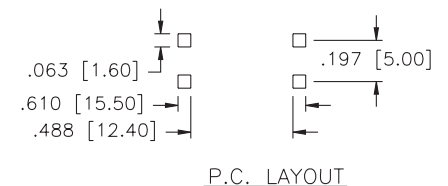
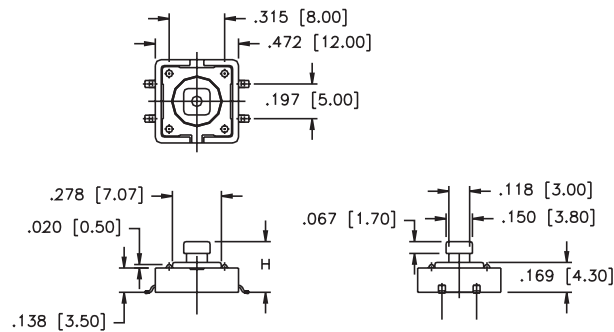
| PART NUMBER. | DIM. A     | DIM. B     |
|--------------|------------|------------|
| ADTSM644*V*  | .094 [2.4] | .063 [1.6] |
| ADTSM648*V*  | .100 [2.8] | .079 [2.0] |



**ADTSM2\*\*V**



**ADTSM24\*V**



SPECIFICATIONS SUBJECT TO CHANGE WITHOUT NOTICE.

# AKTSC CAPS



## CAP PART NO.

AKTSC

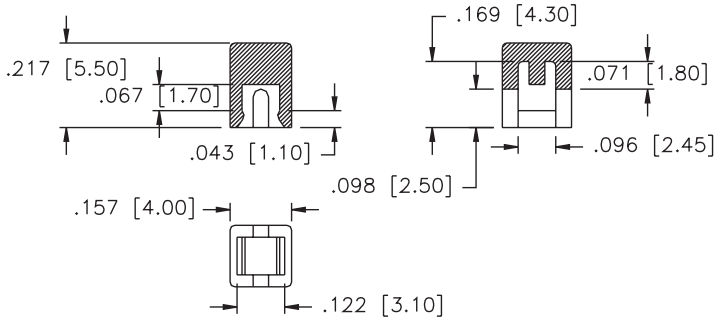
Cap Type:  
1 = Square  
2 = Round

Prod. Size: ( Tactile Switch )  
6 = 6 x 6mm  
2 = 12 x 12mm

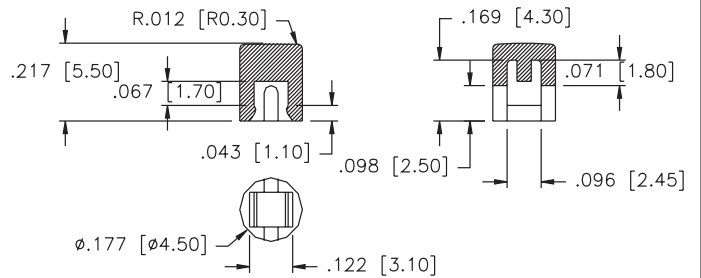
Cap Color:  
Y= Yellow  
B = Blue  
R = Red  
I = Ivory  
K = Black  
G = Green  
S = Salmon

SPECIFICATIONS SUBJECT TO CHANGE WITHOUT NOTICE.

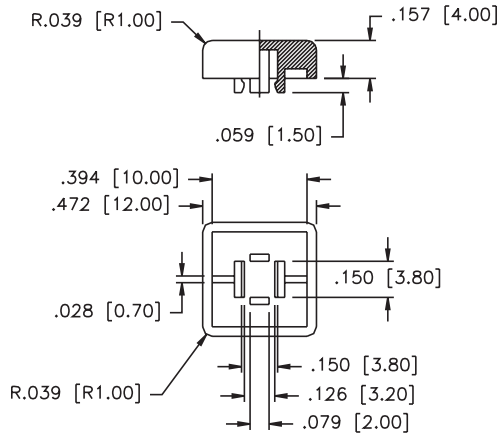
### AKTSC61



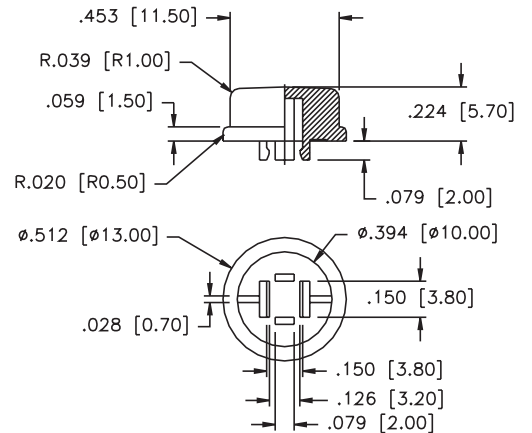
### AKTSC62



### AKTSC21



### AKTSC22



## PACKAGING

ADTS-6 Series: 1000 pcs/bag  
ADTS(P)-2 series: 500 pcs/bag or 40pcs/tube

## X-ON Electronics

Largest Supplier of Electrical and Electronic Components

*Click to view similar products for [Tactile Switches](#) category:*

*Click to view products by [Apem](#) manufacturer:*

Other Similar products are found below :

[6407-250V-25273P](#) [ADTSA62NV](#) [B3F-3123](#) [1977177-8](#) [1977266-1](#) [ADTSA63NV](#) [ADTSM21NSVTR](#) [ADTSM25RVTR](#) [ADTSM32NVTR](#)  
[ADTSMW64RV](#) [1977120-6](#) [FSMRA4JHA04](#) [GS4.70F300QP](#) [KSC241J SP DELTA LFS](#) [3FTL600RAS](#) [3FTL640RAS](#) [Y96K132V0FPLFS](#)  
[09158](#) [6407-250V-25343P](#) [ADTSM31NVTR](#) [2-1977120-7](#) [TSJW-5.2-260-TR](#) [TME1-01-Z](#) [Y651050400P](#) [KMT011MNGJLHS](#)  
[ADTSG648NV](#) [ADTSM62KSVTR](#) [MJTP1138DTR](#) [ADTSM648NV](#) [95C06E3RAT](#) [3ATH9Q](#) [FSMRA8JHA04](#) [HARS0073](#)  
[Y33R411N9FPLFT](#) [Y33R51139FPLFT](#) [Y31C01402FPLFS](#) [PTS645SK50SMTR92](#) [ADTSM32NVB](#) [KMS233GPWTFLG](#) [Y78B64124FP](#)  
[Y33A812C5FP LFT](#) [Y56B2D120FP LFS](#) [PTS645 DVM83-BN125-2 LFS](#) [B3W 1000G](#) [B3F 1002C](#) [B3F 0047H](#) [B3W 1002C](#) [B3F 5001G](#)  
[B3W 1100C](#) [1-1571563-4](#)