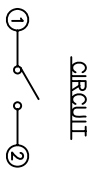
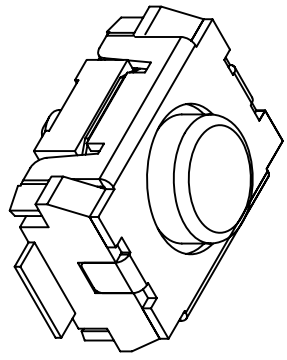
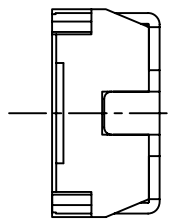
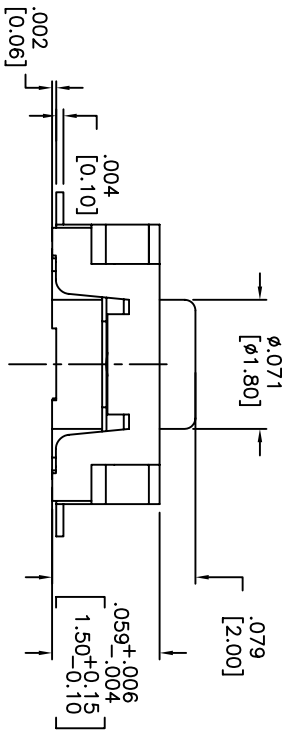
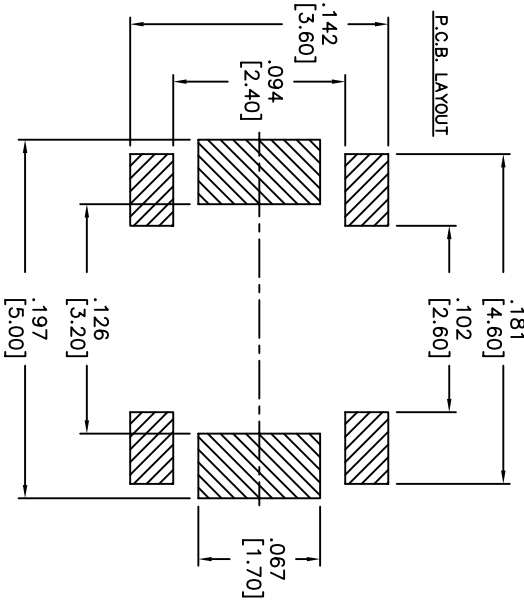
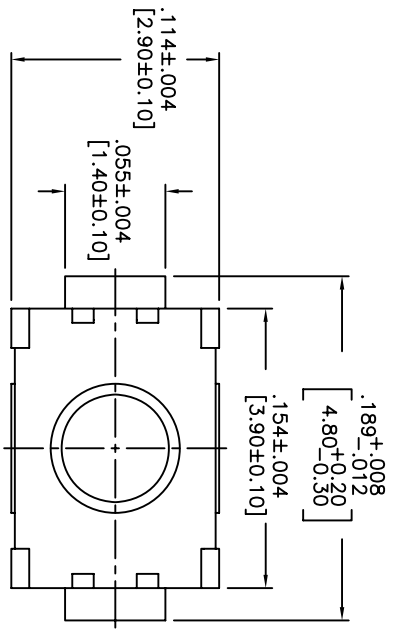




THIS DOCUMENT IS THE PROPERTY OF APEN COMPONENTS AND SHALL NOT BE COPIED, REPRODUCED, DISCLOSED OR USED AS THE BASIS FOR MANUFACTURING OR SALE WITHOUT PERMISSION OF A DULY AUTHORIZED REPRESENTATIVE OF APEN COMPONENTS INC.



DATE	SYM	REVISION RECORD	DWN.	CK.
5/08	B	ECO# 778	CD	PD

DESCRIPTION: VERTICAL PUSH MECHANICAL CONTACT SWITCH.  
 SPECIFICATIONS:  
 OPERATION FORCE: 160±50gf  
 OPERATION TEMP.: -25°C TO +70°C.  
 STORAGE TEMP.: -30°C TO +80°C.  
 ELECTRICAL LIFE: 100,000 CYCLES.  
 RATING: 50ma, 12VDC.  
 VIBRATION RESISTANCE: PASSES METHOD 201A MIL-STD-202F  
 SHOCK RESISTANCE: 50G PER METHOD 213B MIL-STD-202F  
 CONTACT RESISTANCE: 100mΩ MAX.  
 INSULATION RESISTANCE: 100MΩ MIN. AT 100VDC.  
 DIELECTRIC STRENGTH: 100VAC/1 MINUTE.  
 CONTACT ARRANGEMENT: 1 POLE 1 THROW.  
 MATERIALS:  
 COVER: STAINLESS STEEL  
 BASE: LCP HIGH-TEMP. THERMOPLASTIC.  
 COLOR, WHITE.  
 STEM: LCP HIGH-TEMP. THERMOPLASTIC.  
 COLOR, BLACK  
 CONTACT DISK: STAINLESS STEEL WITH SILVER CLADDING  
 TERMINAL: BRASS WITH SILVER PLATING  
 TAPE: TEFLON.  
 TAPE & REEL PACKAGING, 2,000 PER REEL  
 SOLDERING:  
 HAND SOLDERING: 30 WATT IRON AT 320°C FOR 2 SECONDS  
 IR REFLOW: 240°C MAX  
 ROHS COMPLIANT

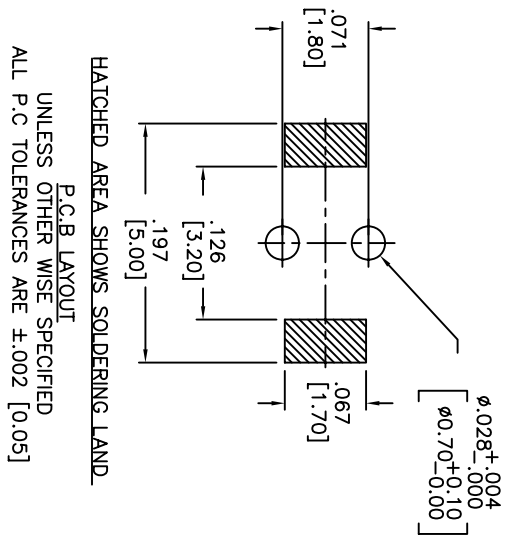
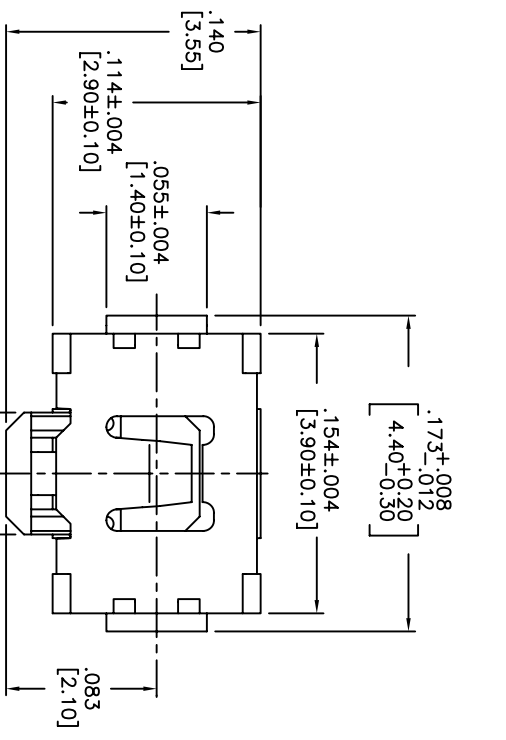
<b>APEN</b> APEN COMPONENTS INC. 63 Neck Rd. Haverhill, MA 01830 Phone: 978-372-5554 Fax: 978-372-5554		DESIGNS: CRITICAL DIMENSION TOLERANCES (except as noted) .XX± = ±0.02 [0.5] .XXX = ±0.008 [0.20] .XXXX = ±0.0008 [0.02] ANGLE = 30.5°	DPN: CJD BR: BR OR: PJD
TITLE VERTICAL PUSH TACT SWITCH	SHEET 1 OF 1 SIZE B SCALE 15:1	THIRD ANGLE PROJECTION	DO NOT SCALE DATE: 2/4/08 DRAWING NO: AMPPTFGP2VTR REV: B



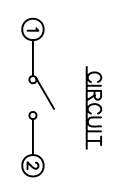
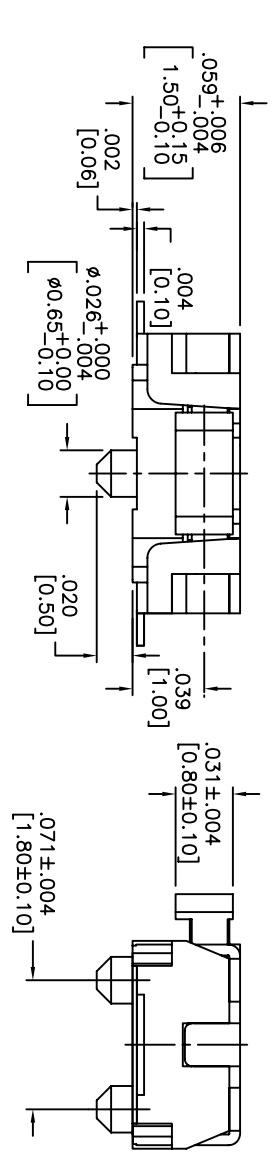




THIS DOCUMENT IS THE PROPERTY OF APEM COMPONENTS AND SHALL NOT BE COPIED, REPRODUCED, DISCLOSED OR SALE WITHOUT PERMISSION OF A DULY AUTHORIZED REPRESENTATIVE OF APEM COMPONENTS INC.



HATCHED AREA SHOWS SOLDERING LAND  
 P.C.B. LAYOUT  
 UNLESS OTHER WISE SPECIFIED  
 ALL P.C. TOLERANCES ARE ±.002 [0.05]



DATE	SYM	REVISION RECORD	DWN.	CK.
5/08	B	ECO# 778	CD	PD

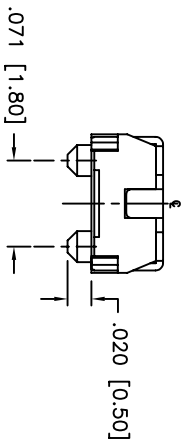
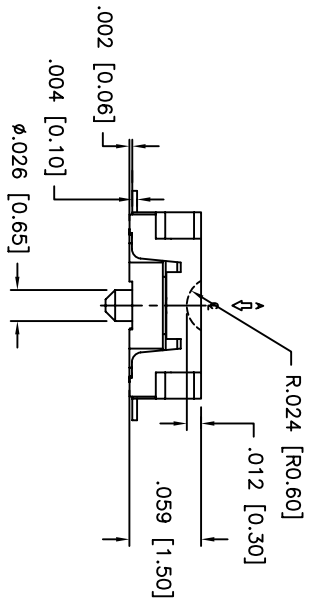
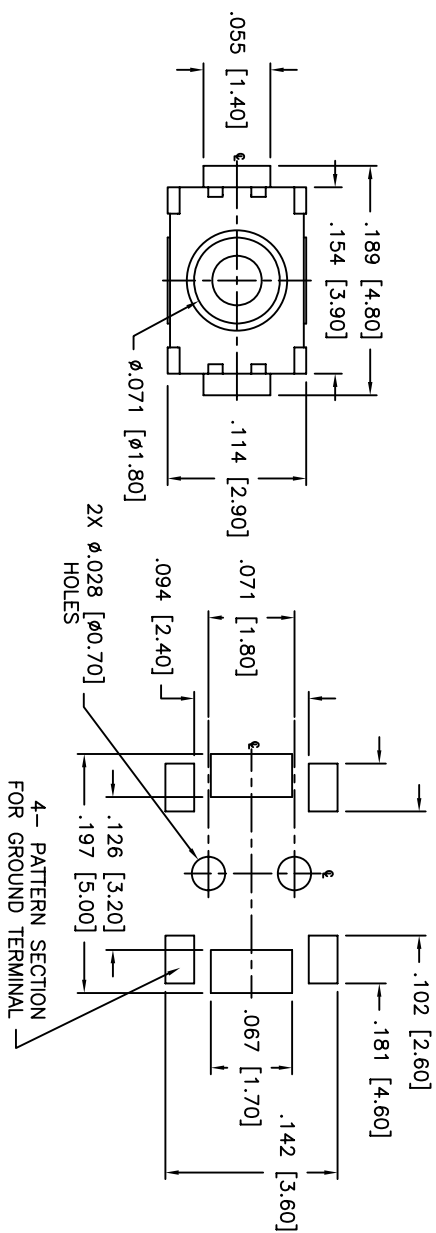
DESCRIPTION: SIDE PUSH MECHANICAL CONTACT SWITCH.  
 SPECIFICATIONS:  
 OPERATION FORCE: 220± 65gf  
 STROKE: 0.2±0.10mm  
 OPERATION TEMP.: -25°C TO +70°C.  
 STORAGE TEMP.: -30°C TO +80°C.  
 ELECTRICAL LIFE: 100,000 CYCLES.  
 RATING: 50mA, 12VDC.  
 CONTACT RESISTANCE: 100mΩ MAX.  
 INSULATION RESISTANCE: 100MΩ MIN. AT 100VDC.  
 DIELECTRIC STRENGTH: 100VAC/1 MINUTE.  
 CONTACT ARRANGEMENT: 1 POLE 1 THROW.  
 VIBRATION TEST: PASSED METHOD 201A  
 MIL-STD-202F.  
 SHOCK TEST: 50G PER METHOD 213B CONDITION A OF MIL-STD-202F  
 MATERIALS:  
 COVER: STAINLESS STEEL  
 BASE: LCP HIGH-TEMP. THERMOPLASTIC.  
 COLOR: WHITE.  
 STEM: LCP HIGH-TEMP. THERMOPLASTIC.  
 COLOR: BLACK.  
 CONTACT DISK: STAINLESS STEEL  
 WITH SILVER CLADDING  
 TERMINAL: BRASS WITH SILVER PLATING  
 PACKAGING: TAPE AND REEL  
 (3,500 PEICES PER REEL)  
 ROHS COMPLIANT  
 LEAD FREE SOLDERING COMPATIBLE  
 HAND SOLDERING: 320°C MAX WITH 30 WATT IRON  
 FOR 2 SECONDS  
 IR REFLOW: 260°C MAX

DESIGNER'S INITIAL		DIMENSION		TOLERANCES (UNLESS OTHERWISE SPECIFIED)		TITLE		DATE		DRAWING NO.		REV	
A.A. INSECTI		A		.0002		TACT SWITCH		5/2/06		AMPTCFVTR		B	
APEM		63 Neck Rd. 01835		1000000000		1 OF 1		15:1		PJD		THIRD ANGLE PROJECTION	
APEM		1000000000		1000000000		1 OF 1		15:1		PJD		THIRD ANGLE PROJECTION	

1 2 3 4 5 6 7 8



THIS DOCUMENT IS THE PROPERTY OF APDM COMPONENTS AND SHALL NOT BE COPIED, REPRODUCED, DISCLOSED OR USED AS THE BASIS FOR MANUFACTURING OR SALE WITHOUT PERMISSION OF A DULY AUTHORIZED REPRESENTATIVE OF APDM COMPONENTS INC.



UNLESS OTHERWISE SPECIFIED  
P.C. TOLERANCES ARE ±.002 [0.05]

P.C. LAYOUT

4- PATTERN SECTION  
FOR GROUND TERMINAL

DESCRIPTION: SPST, NORMALLY OPEN, MOMENTARY,  
SURFACE MOUNT TACT SWITCH WITH LOCATING  
PINS

SPECIFICATIONS:

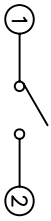
CONTACT RATING: 50mA @ 12VDC  
INITIAL CONTACT RESISTANCE: 100MOHMS MAX.  
INSULATION RESISTANCE: 100MOHMS MIN. @ 500VDC  
DIELECTRIC STRENGTH: 100VAC FOR 1 MINUTE  
ELECTRICAL LIFE: 200,000 CYCLES MIN.  
OPERATING TEMPERATURE RANGE: -25°C to +70°C  
STOP STRENGTH: MAX 3kgf VERTICAL STATIC LOAD  
CONT. FOR 15 SEC.

ACTUATION FORCE: 160± 50gf  
STORAGE TEMPERATURE RANGE: -30°C TO +80°C  
SHOCK RESISTANCE: 50G PER METHOD 213B, MIL-STD-202F  
VIBRATION RESISTANCE: PASSES METHOD 201A, MIL-STD-202F

SOLDERING:  
IR REFLOW: 240°C MAX.  
HAND SOLDERING: 350°C MAX. FOR 3 SECONDS MAX.  
(30 WATT IRON MAX.)

MATERIALS:  
BASE: LCP HIGH-TEMP THERMOPLASTIC UL94V-0  
ACTUATOR: LCP HIGH-TEMP THERMOPLASTIC UL94V-0  
COVER: STAINLESS STEEL  
TERMINALS: SILVER PLATED BRASS  
SHORTING CONTACT: STAINLESS STEEL WITH SILVER CLADDING  
TAPE: TEFLON  
ROHS COMPLIANT

NOTE:  
1. AFTER SOLDERING, RETURN SWITCHES TO NORMAL  
TEMPERATURE BEFORE WASHING.



SCHEMATIC

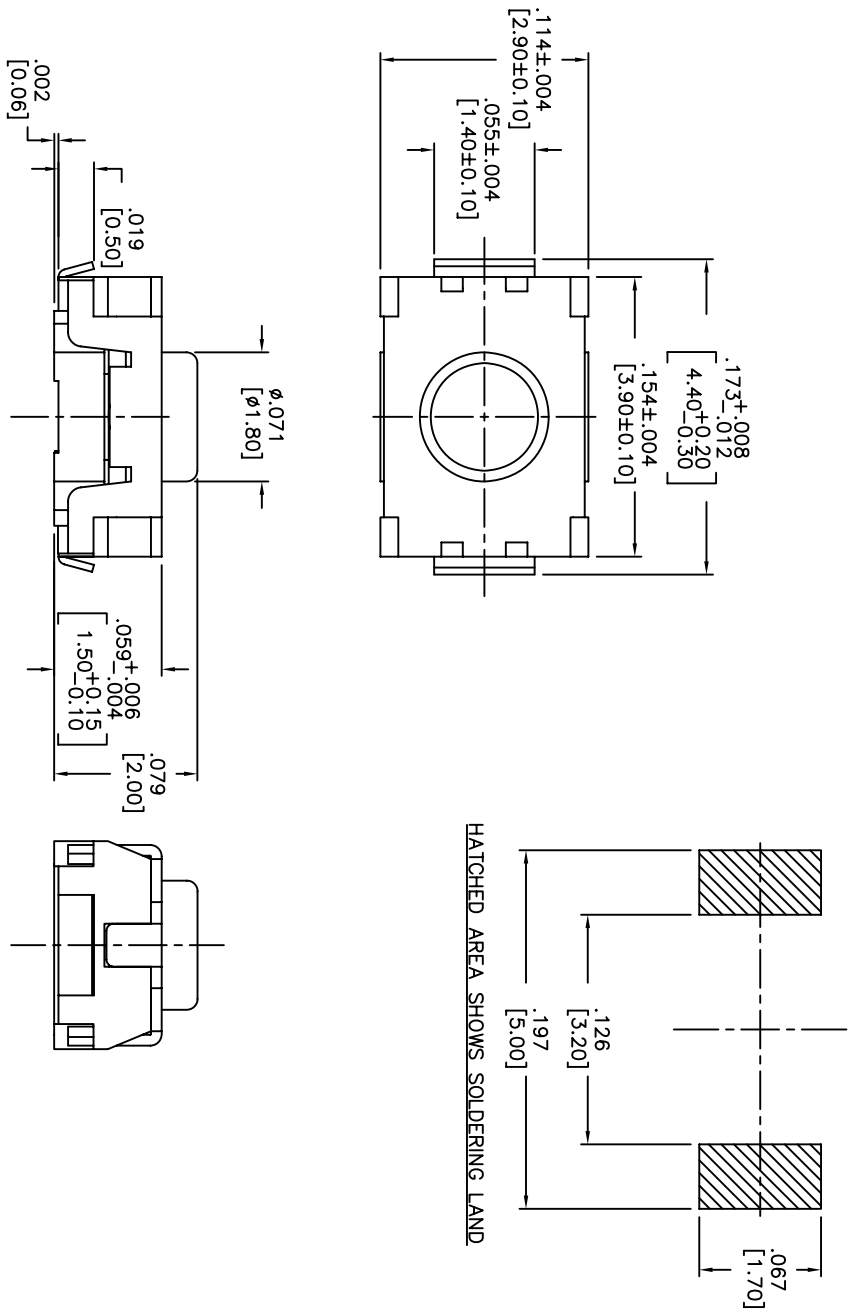
DATE	SYM	REVISION RECORD	DWN.	CK.
1/06	A	ECO # 526	CD	PD
5/08	B	ECO# 778	CD	PD

<b>Q.A. INSPECT:</b> 		<b>DESIGNER'S INITIAL:</b> DIMENSION		<b>DRN. CJD</b>	
<b>TOLERANCES</b> (UNLESS AS NOTED) .XX=±.02[0.5] .XXX=±.008[0.20] .XXXX=±.0008[0.02] ANGLE = 30.5°		<b>APDM</b> 63 Neck Rd. Haverhill, MA 01830 Telephone: 978-375-5554 Fax: 978-375-5554		<b>BR. BR.</b> <b>OK. PJD</b>	
<b>TITLE</b> TACT SWITCH WITH LOCATING PINS		<b>SHEET</b> 1 OF 1		<b>SIZE</b> B	
<b>DO NOT SCALE</b> DRAWING NO. AMPTCFGP1VTR		<b>SCALE</b> 10:1		<b>THIRD ANGLE PROJECTION</b> 	
<b>DATE</b> 07/20/05		<b>DRAWING NO.</b> AMPTCFGP1VTR		<b>REV</b> B	



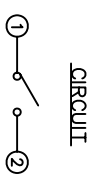
THIS DOCUMENT IS THE PROPERTY OF APDM COMPONENTS AND SHALL NOT BE COPIED, REPRODUCED, DISCLOSED OR USED AS THE BASIS FOR MANUFACTURING OR SALE WITHOUT PERMISSION OF A DULY AUTHORIZED REPRESENTATIVE OF APDM COMPONENTS INC.

P.C.B. LAYOUT



DATE	SYM	REVISION RECORD	DWN.	CK.
1/06	A	ECO# 526	CD	PD
5/08	B	ECO# 778	CD	PD

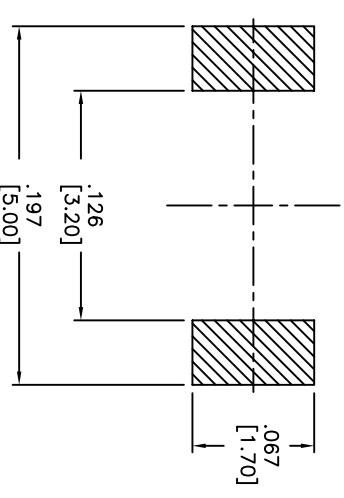
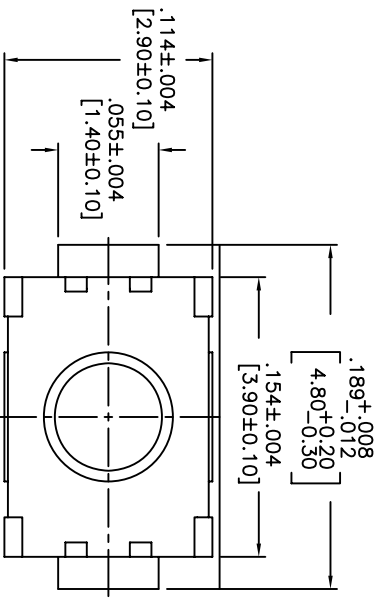
DESCRIPTION: VERTICAL PUSH MECHANICAL CONTACT SWITCH.  
 SPECIFICATIONS:  
 OPERATION FORCE: 220 ± 65gf  
 OPERATION TEMP.: -25°C TO +70°C.  
 STORAGE TEMP.: -30°C TO +80°C.  
 ELECTRICAL LIFE: 200,000 CYCLES.  
 RATING: 50mA, 12VDC.  
 VIBRATION RESISTANCE: PASSES METHOD 201A  
 MIL-STD-202F  
 SHOCK RESISTANCE: 50G PER METHOD 213B  
 MIL-STD-202F  
 CONTACT RESISTANCE: 100mΩ MAX.  
 INSULATION RESISTANCE: 100MΩ MIN. AT 100VDC.  
 DIELECTRIC STRENGTH: 100VAC/1 MINUTE.  
 CONTACT ARRANGEMENT: 1 POLE 1 THROW.  
 MATERIALS:  
 COVER: STAINLESS STEEL  
 BASE: LCP HIGH-TEMP. THERMOPLASTIC.  
 COLOR, WHITE.  
 STEM: LCP HIGH-TEMP. THERMOPLASTIC.  
 COLOR, BLACK.  
 CONTACT DISK: STAINLESS STEEL WITH SILVER CLADDING  
 TERMINAL: BRASS WITH SILVER PLATING  
 TAPE & REEL PACKAGING, 2,000 PER REEL  
 SOLDERING:  
 HAND SOLDERING: 30 WATT IRON AT 320°C FOR 2 SECONDS  
 IR REFLOW: 240°C MAX  
 ROHS COMPLIANT  
 LEAD FREE PROCESS COMPATIBLE



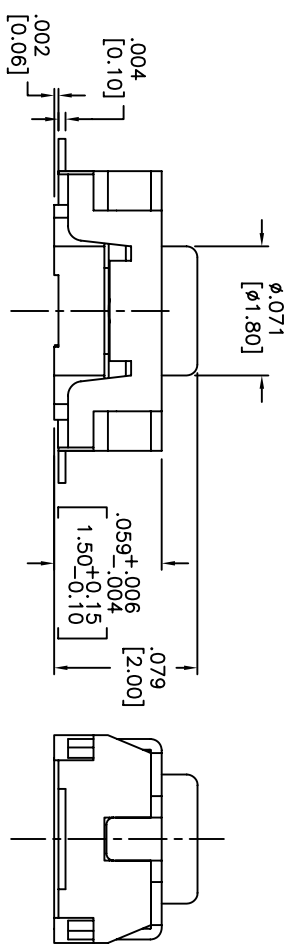
<b>Q.A. INSPECT:</b> DESIGNER'S INITIAL DIMENSION TOLERANCES (CHECK AS NOTED) .XX = ±.02 [0.5] .XXX = ±.008 [0.20] .XXXX = ±.0008 [0.02] ANGLE = 30.5°		<b>APDM</b> 63 Neck Rd. Hendersonville, NC 27535 Phone: 704-772-5554 Fax: 704-772-5554		DRN. CJD BR. BR. OR. PJD
TITLE TACT SWITCH	SHEET 1 OF 1	SIZE B	SCALE 15:1	THIRD ANGLE PROJECTION
DO NOT SCALE DRAWING NO. AMPTLP2VTR	DATE 01/23/06	REV B		

THIS DOCUMENT IS THE PROPERTY OF APDM COMPONENTS AND SHALL NOT BE COPIED, REPRODUCED, DISCLOSED OR SALE WITHOUT PERMISSION OF A DULY AUTHORIZED REPRESENTATIVE OF APDM COMPONENTS INC.

P.C.B. LAYOUT



HATCHED AREA SHOWS SOLDERING LAND



DATE	SYM	REVISION RECORD	DWN.	CK.
5/08	B	ECO# 778	CD	PD

DESCRIPTION: VERTICAL PUSH MECHANICAL CONTACT SWITCH.

SPECIFICATIONS:

OPERATION FORCE: 160± 50gf

OPERATION TEMP.: -25°C TO +70°C.

STORAGE TEMP.: -30°C TO +80°C.

ELECTRICAL LIFE: 200,000 CYCLES.

RATING: 50mA, 12VDC.

VIBRATION RESISTANCE: PASSES METHOD 201A

MIL-STD-202F

SHOCK RESISTANCE: 50G PER METHOD 213B

MIL-STD-202F

CONTACT RESISTANCE: 100mΩ MAX.

INSULATION RESISTANCE: 100MΩ MIN. AT 100VDC.

DIELECTRIC STRENGTH: 100VAC/1 MINUTE.

CONTACT ARRANGEMENT: 1 POLE 1 THROW.

MATERIALS:

COVER: STAINLESS STEEL

BASE: LCP HIGH-TEMP. THERMOPLASTIC.

COLOR, WHITE.

STEM: LCP HIGH-TEMP. THERMOPLASTIC.

COLOR, BLACK.

CONTACT DISK: STAINLESS STEEL

WITH SILVER CLADDING

TERMINAL: BRASS WITH SILVER PLATING

TAPE: TEFLON.

TAPE & REEL PACKAGING, 2,000 PER REEL

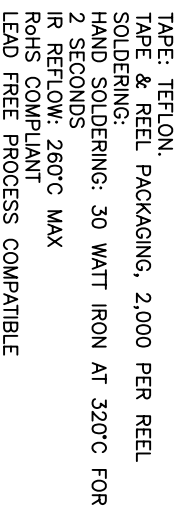
SOLDERING:

HAND SOLDERING: 30 WATT IRON AT 320°C FOR 2 SECONDS

IR REFLOW: 260°C MAX

RoHS COMPLIANT

LEAD FREE PROCESS COMPATIBLE



Q.A. INSPECT:		DESIGNATES CRITICAL DIMENSION		TOLERANCES (UNLESS OTHERWISE SPECIFIED)		ANGLE = 40.5°	
APDM		63 Neck Rd. 01835		1 OF 1		SCALE 15:1	
APDM		1000000000		B		THIRD ANGLE PROJECTION	
TACT SWITCH		DRAWING NO. AMPTFP2VTR		DATE 01/23/06		REV B	

## X-ON Electronics

Largest Supplier of Electrical and Electronic Components

*Click to view similar products for [Multi-Directional Switches](#) category:*

*Click to view products by [Apem](#) manufacturer:*

Other Similar products are found below :

[MJTP1109AL](#) [RA3CSH6A](#) [APTCFVTR](#) [SRBE210100](#) [T5-NH1118](#) [RKJXW1014002](#) [RKJXW2014001](#) [T4-TCN3332](#) [TSWA-3N-CUP2-LFS](#) [3J2015-200](#) [T2-0018](#) [T5-CK2212](#) [CS41001E](#) [RKJXK122000D](#) [RKJXK122400Y](#) [RKJXL100401V](#) [RKJXM2E13001](#) [RKJXM2E13004](#) [RKJXS1004001](#) [RKJXT1F42001](#) [RKJXV1224005](#) [RKJXY100000A](#) [SKRHAAE010](#) [SKRHABE010](#) [SKRHACE010](#) [SKRHADE010](#) [SLLB120100](#) [SLLB120200](#) [SLLB120300](#) [SLLB510100](#) [SLLB510200](#) [SLLB520100](#) [SRBE110301](#) [SRBE210200](#) [AMPTFP2VTR](#) [D16202](#) [PHAP4383V](#) [3302](#) [7G5002C0003](#) [QSA2S3.5NH3G7](#) [PLJG2-G-V-T/R](#) [PLMG5-GH-V-T/R](#) [RKJXU1210006](#) [SKRHADE011](#) [5D001-BKKKKKAWXWXWXWX-W200](#) [T4-CN211N](#) [RKJXM1015004](#) [RKJXV1220001](#) [SLLB310300](#) [SLLB310500](#)