

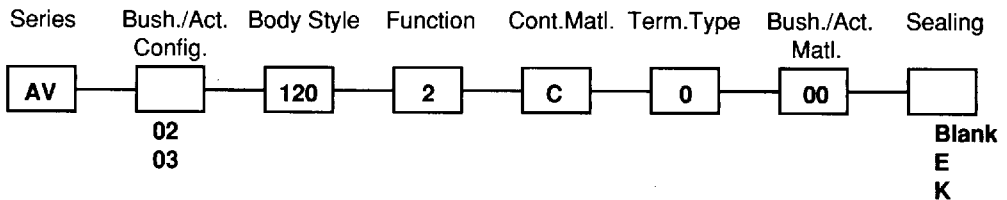
New!

AV SERIES SECURITY PUSHBUTTON SWITCHES

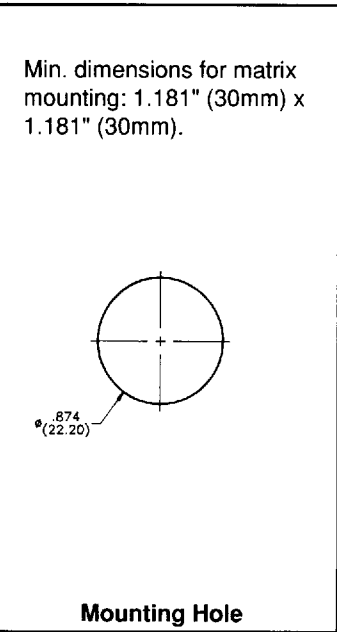
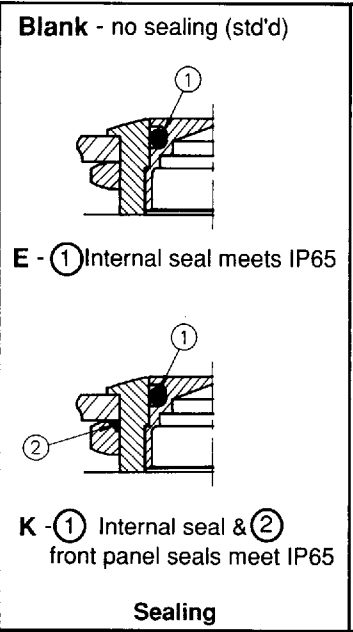
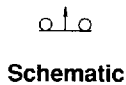
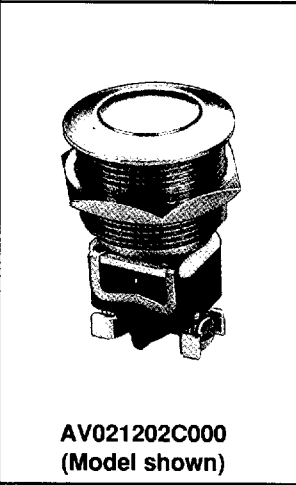
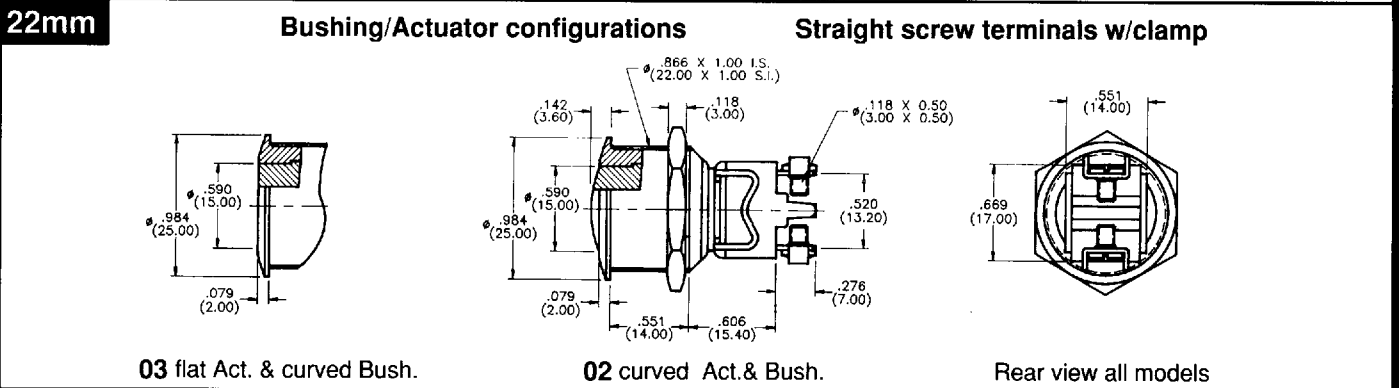
SPECIFICATIONS SUBJECT TO CHANGE WITHOUT NOTICE.

SPECIFICATIONS	FEATURES
<p>Contact ratings: Max. resistive loads: 2 A 250 VAC, 3 A 125 VAC & 2.5 A 24 VDC</p> <p>Initial contact resistance: 10 milliohms max. at 1 A, 2 V</p> <p>Insulation resistance: 1000 megohms min. at 500 VDC</p> <p>Dielectric strength: 2000 V rms min. between terms. & frame. 2000 V rms min. between terminals</p> <p>Electrical life: 100,000 cycles at 0.3 A 24 V</p> <p>Mechanical life: 1,000,000 cycles min.</p> <p>Operating temperature range: -20°C to +55°C</p> <p>Solder heat resistance: 300°C max. for 5 seconds</p> <p>Washing not recommended</p>	<ul style="list-style-type: none"> ● .866" (22 mm) dia. models. ● Single pole NC momentary action. ● Standard models provide protection per IP54. ● Optional sealing options provide protection to IP65. ● Extremely rugged and durable.
	<p>MATERIALS</p> <p>Contacts & terminals: Silver plated brass</p> <p>Bushing & Actuator: Nickel plated brass (std'd)</p> <p>Case: PBT Hex. Mounting Nut: Nickel plated brass</p>

ORDER FORMAT: For complete model no., fill in 2 empty boxes with selected options shown below. Example of complete model no. - **AV021202C000**



Other Bushing/Actuator materials available - flat thermoplastic Actuators available - Actuator marking available - consult factory.



Note: Models on this page are VDE recognized and marked.

X-ON Electronics

Largest Supplier of Electrical and Electronic Components

Click to view similar products for [Pushbutton Switches](#) category:

Click to view products by [Apem](#) manufacturer:

Other Similar products are found below :

[8940K2012](#) [LW1L-M1C10V-A](#) [LW1L-M1C70-A](#) [LW2L-A1C20M-GD](#) [LW2L-M1C20M-A](#) [60324L](#) [M22-D-R-GB0/K11](#) [M7E-HRN2](#)
[67021K512](#) [67081K512X](#) [701PB580](#) [7199K101](#) [810K12910](#) [810KSV30B](#) [MML21EA2ADK](#) [MML21KA3ABK](#) [MML23KA3AC05K-001](#)
[MML23KW3AA01W](#) [8418K2](#) [8442K2](#) [8442K3](#) [8450K1](#) [860K11911T01A](#) [861901](#) [861K11911T01A07](#) [861K13810T00A14](#) [861K13911](#)
[8646AB6X718UL](#) [8646ABUL](#) [9001KXRK](#) [907AYY100](#) [PMHD155A1](#) [9533CD4+U574+U4922](#) [95-414.000](#) [99-450.837](#) [99-453.837](#)
[PV3H2B0NN-341](#) [1203MRA](#) [A22NZBGANGA](#) [A22NZBMMNGA](#) [A22NZBNANGA](#) [A22NZMPATRA](#) [A2PMA1X03EC56](#) [A3A-5123-02](#)
[A3A-7140](#) [A3A-7310](#) [A3A-7340](#) [A3U-TMW-A2C-5M](#) [A595](#) [12037A2ULCSA](#)