

B series

15A and 25A terminal posts

ELECTRICAL SPECIFICATIONS

- Dielectric strength :
15A type : 3.000 Vrms 50 Hz min. between shaft and panel
25A type : 4.000 Vrms 50 Hz min. between shaft and panel
- Short overload (< 2mn) : 50 % with cable lug

MATERIALS

- Shaft : brass, nickel plated
- Insulated nut : ABS molding over brass
- Other insulated parts : phenolic resin or melamine

GENERAL SPECIFICATIONS

- Terminal connection by :
 - plug Ø 4 mm (.157)
 - solder lug terminals,
 - wire lead
- Operating temperature : -40°C to +70°C

Dimensions : first dimensions are in mm while inches are shown as bracketted numbers.



Packaging unit : 100 pieces or multiple per type and colour.

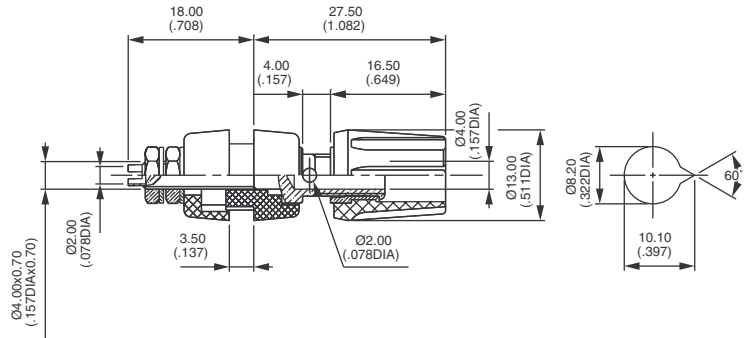
B series

15A and 25A terminal posts

Insulated terminal posts 15A



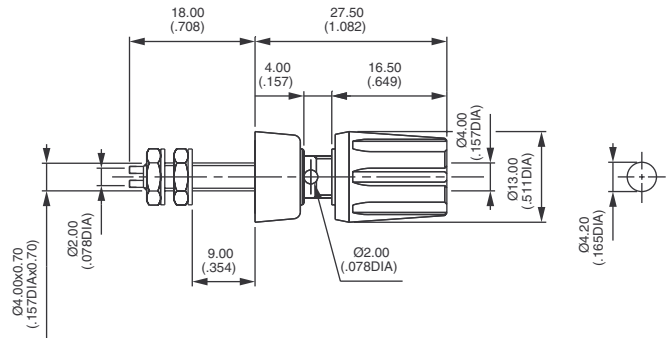
B1	Black
B11	Red
B12	Green
B13	Blue
B14	White
B15	Yellow
B16	Green / Yellow
B19	Orange



Non-insulated terminal posts 15A



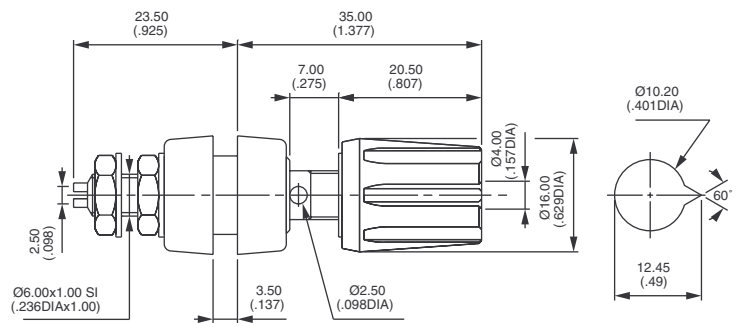
B2	Black
B21	Red
B22	Green
B23	Blue
B24	White
B25	Yellow
B26	Green / Yellow
B29	Orange



Insulated terminal posts 25A



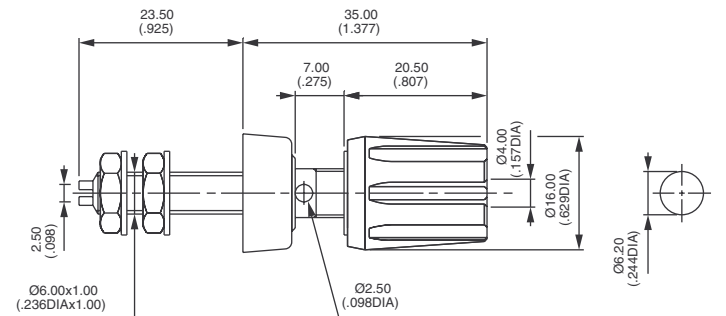
B3	Black
B31	Red
B32	Green
B33	Blue
B34	White
B35	Yellow
B36	Green / Yellow
B39	Orange



Non-insulated terminal posts 25A



B4	Black
B41	Red
B42	Green
B43	Blue
B44	White
B45	Yellow
B46	Green / Yellow
B49	Orange



X-ON Electronics

Largest Supplier of Electrical and Electronic Components

Click to view similar products for [Switch Fixings](#) category:

Click to view products by [Apem](#) manufacturer:

Other Similar products are found below :

[893102000](#) [00-5150](#) [LZZ1A](#) [0098.9234](#) [M2PA-5011](#) [630155](#) [635401](#) [6PA113](#) [6PA147-E6](#) [6PA148-E6](#) [6PA32](#) [6PA9](#) [700106](#) [700109](#)
[700303A56](#) [700C1GRY](#) [700C2GRN](#) [704-6001](#) [704.960.9](#) [704.965.2](#) [704.965.6](#) [704.966.0](#) [7089-3](#) [710082-B11](#) [71M1048](#) [757200264](#)
[764300000](#) [MHU35](#) [MHU37](#) [807039-1](#) [825.003.011](#) [825.005.011](#) [825.053.011](#) [825.055.011](#) [826.000.071](#) [827.020.011](#) [827.400.021](#)
[835.900.023](#) [MML52C10C](#) [MML52E10C](#) [MML92HGH](#) [MML93K](#) [84211M02CNNS](#) [84212M02CNNS](#) [842.500.011](#) [843.000.011](#) [843187-000](#) [843487-000](#) [84-901](#) [84-902](#)