



- Completely sealed switching chamber
- Three types of terminals
- UL approved

ELECTRICAL SPECIFICATIONS

- Max. current/voltage rating with resistive load and electrical life at full load: see table below
- Initial contact resistance : 10 mΩ max. at 1A 2VDC
- Insulation resistance : 1.000 MΩ min. at 500VDC
- Dielectric strength : 2.500 Vrms 50 Hz min. between terminals
3.000 Vrms 50 Hz min. between terminals and frame

ELECTRICAL RATING AND LIFE

		Alternate current	Direct current	UL
SINGLE POLE	ON-OFF and ON-ON	15A 125/250VAC resistive 10.000 cycles	15A 28VDC resistive 5A 28VDC lamp load 10.000 cycles	10A 125/250 VAC according to UL 1054
	Other functions	10A 125/250VAC resistive 10.000 cycles	10.000 cycles, T20°C 15A 28VDC resistive 15A 28VDC inductive 5A 28VDC lamp load	
DOUBLE POLE	ON-OFF and ON-ON	15A 125/250VAC resistive 10.000 cycles	15A 28VDC resistive 5A 28VDC lamp load 10.000 cycles	
	Other functions	10A 125/250VAC resistive 10.000 cycles	10.000 cycles, T20°C 15A 28VDC resistive 15A 28VDC inductive 5A 28VDC lamp load	

MATERIALS

- Case : mineral filled polyester UL94-V0
- Bushing and cover : zamac
- Actuator : bright nickel
- Contacts : silver alloy
Gold plated : on request

AGENCY APPROVAL



File E83438

Availability : consult factory for details of approved models.

Marking : to order switches marked UL, complete appropriate box of ordering format.

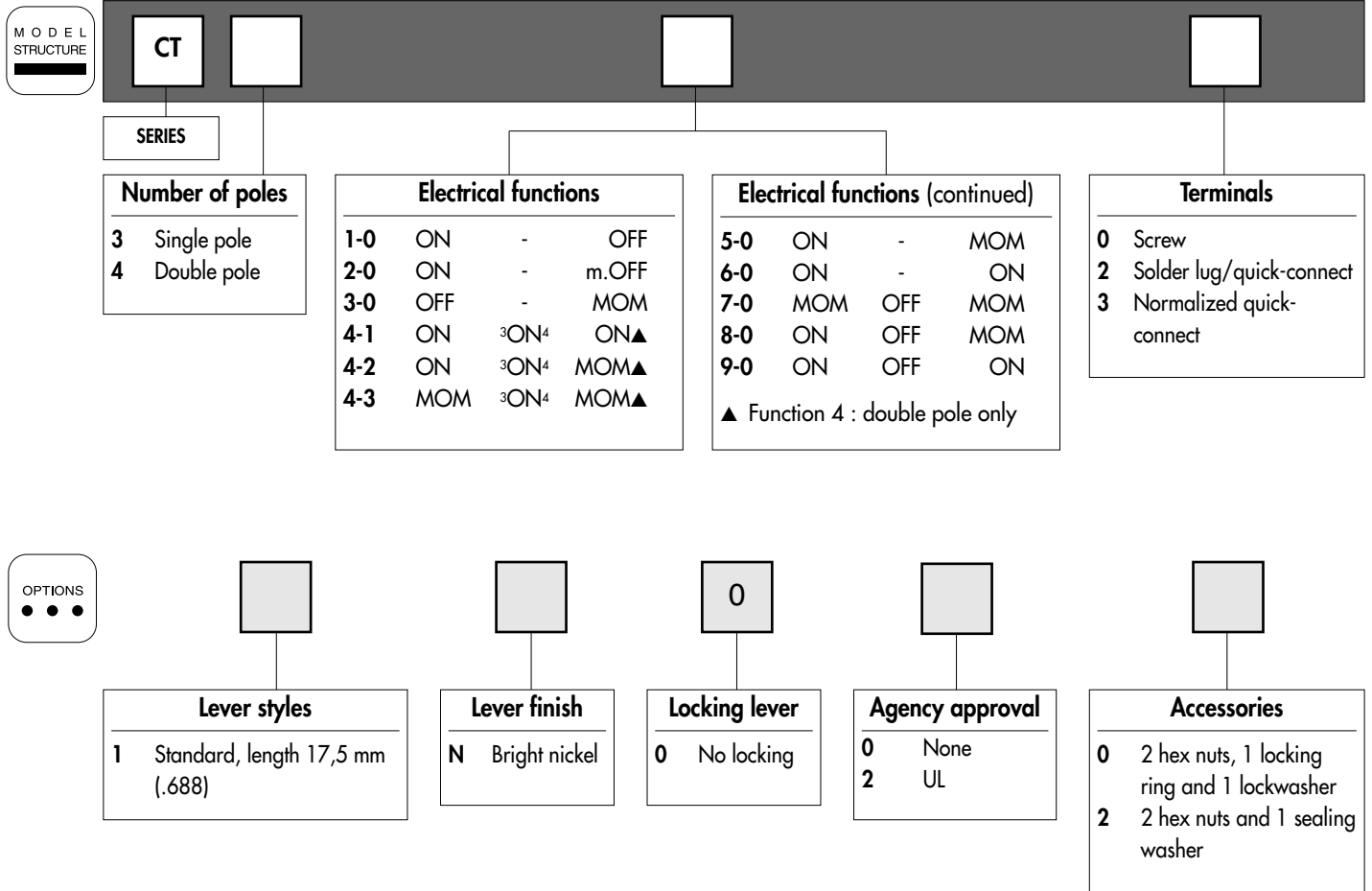
GENERAL SPECIFICATIONS

- Torque : 2 Nm (1.47 Ft.lb) max. applied to nut
- Panel thickness : see "Mounting Accessories" on the following pages
- Mechanical life : 100.000 cycles
- Operating temperature : -40°C to +85°C
- Front panel sealing : IP67

CT series

Sealed toggle switches

Overview



APEM has the ability to develop custom configurations. Please contact us with your requirements.



NOTICE : please note that not all combinations of above numbers are available. Refer to the following pages for further information.

ABOUT THIS SERIES

On the following pages, you will find successively :

- model structure of switches
- their options in the same order as in above chart

Dimensions : first dimensions are in mm while inches are shown as bracketted numbers.

Security caps are available to prevent inadvertent lever operation. On request.

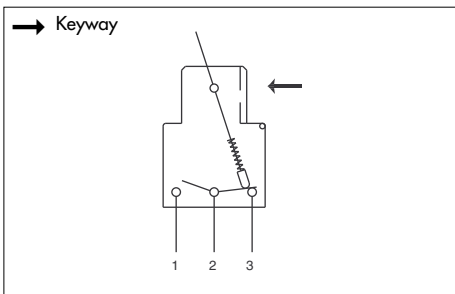


Packaging unit : 25 pieces

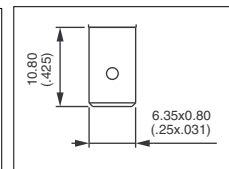
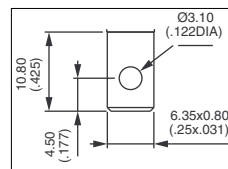
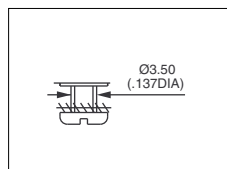


CT series

Sealed toggle switches



- Screw, solder lug or quick-connect terminals



MODEL STRUCTURE

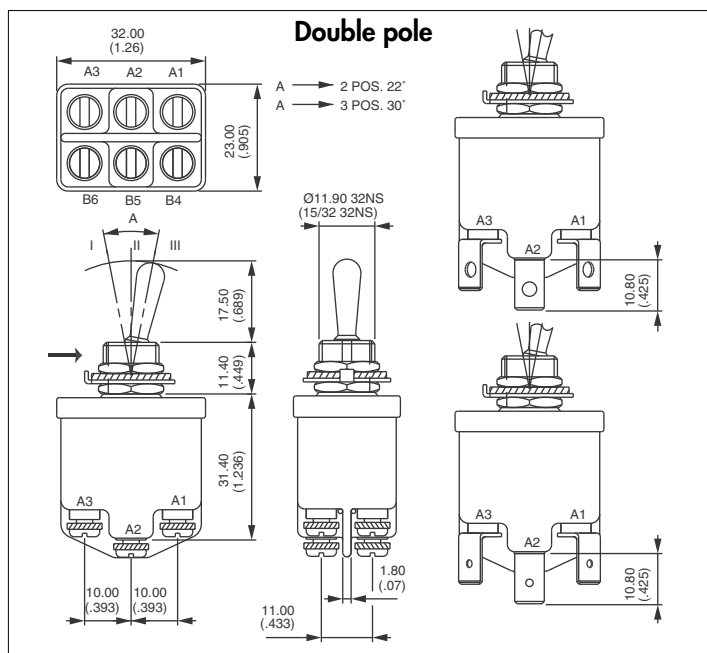
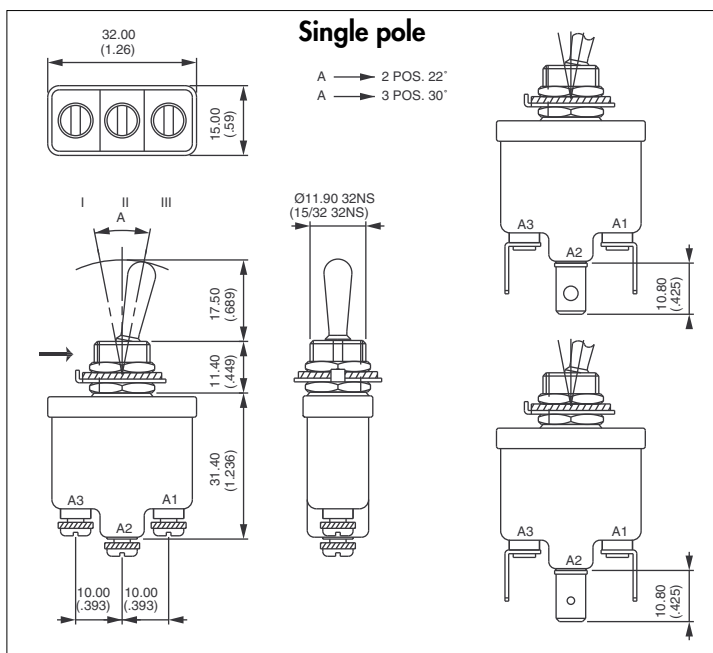


Shown with standard lever



FUNCTIONS			BASIC PART NUMBER					
III	II	I	Screw terminals		Solder lugs and quick-connect term.		Normalized quick-connect terminals	
A2-A3	*A3-B4	A1-A2	Single pole	Double pole	Single pole	Double pole	Single pole	Double pole
B5-B6	A1-B6	B5-B4						
ON	-	OFF	CT31-00	CT41-00	CT31-02	CT41-02	CT31-03	CT41-03
ON	-	m.OFF	CT32-00	CT42-00	CT32-02	CT42-02	CT32-03	CT42-03
OFF	-	MOM	CT33-00	CT43-00	CT33-02	CT43-02	CT33-03	CT43-03
ON	ON*	ON		CT44-10		CT44-12		CT44-13
ON	ON*	MOM		CT44-20		CT44-22		CT44-23
MOM	ON*	MOM		CT44-30		CT44-32		CT44-33
ON	-	MOM	CT35-00	CT45-00	CT35-02	CT45-02	CT35-03	CT45-03
ON	-	ON	CT36-00	CT46-00	CT36-02	CT46-02	CT36-03	CT46-03
MOM	OFF	MOM	CT37-00	CT47-00	CT37-02	CT47-02	CT37-03	CT47-03
ON	OFF	MOM	CT38-00	CT48-00	CT38-02	CT48-02	CT38-03	CT48-03
ON	OFF	ON	CT39-00	CT49-00	CT39-02	CT49-02	CT39-03	CT49-03

→ Keyway



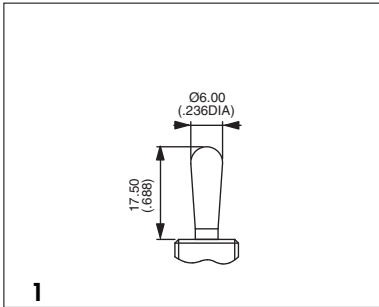
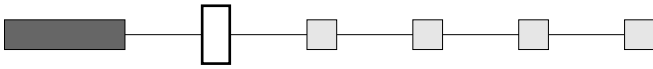
CT series

Sealed toggle switches

OPTIONS

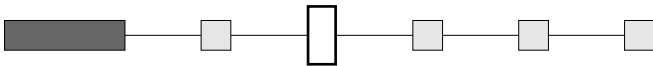


LEVER STYLES



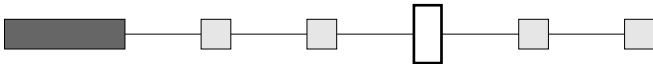
Standard

LEVER FINISH



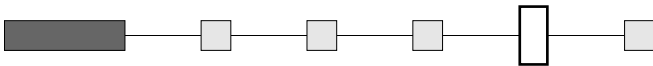
N Bright nickel

LOCKING LEVER



0 No locking

AGENCY APPROVAL



0 None
2 UL

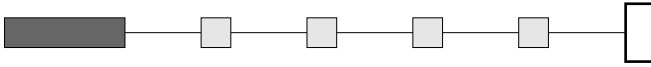
APEM has the ability to develop custom configurations. Please contact us with your requirements.



CT series

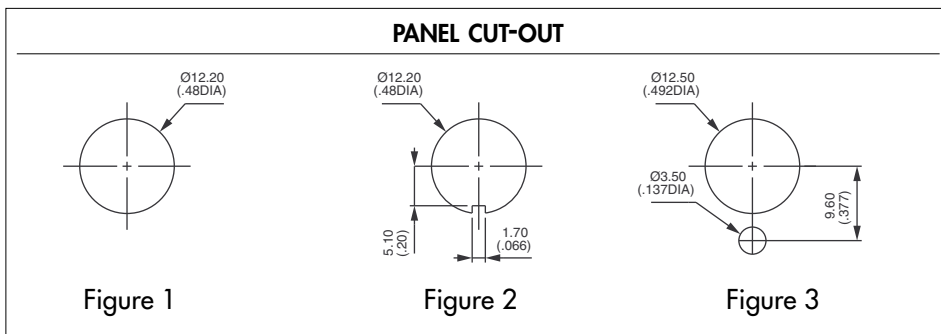
Sealed toggle switches

MOUNTING ACCESSORIES



- 0 For NON-SEALED mounting (panel cut-out fig. 1, 2 or 3)
2 hex nuts 14 mm (.551) across flats, 1 locking ring U121 or U12, 1 lockwasher U13
Panel thickness : 5 mm (.196) max.
- 2 For SEALED mounting (panel cut-out fig. 2)
2 hex nuts 14 mm (.551) across flats and 1 sealing washer U60
Panel thickness : 4 mm (.157) max.

Special hardware : black cap nut U129. Order separately.



X-ON Electronics

Largest Supplier of Electrical and Electronic Components

Click to view similar products for [Toggle Switches](#) category:

Click to view products by [Apem](#) manufacturer:

Other Similar products are found below :

[8928K478](#) [020017-13](#) [60012L](#) [6006L](#) [CS115W](#) [CS120W](#) [637H/25](#) [6663](#) [7101SPDV30BE](#) [7103SDV30BE](#) [7105D](#) [7108P3YAV2BE](#)
[71YY50282](#) [7300K36](#) [7301K38](#) [7306K36](#) [7310K36](#) [7506K4](#) [7592K6](#) [7660K12](#) [7691K14](#) [7700K1](#) [8391K108](#) [8396K108](#) [8824K14](#)
[8828K13](#) [8835K3](#) [8858K44](#) [PS83-121G](#) [1-1825192-0](#) [A201SCWZB04](#) [A207SYCB04](#) [A208J61ZQ0004](#) [A221T1TCQ](#) [A232M1YCQ](#)
[A323S1CWZQ](#) [A423S1CWZG-M8](#) [1201W](#) [12156AX408](#) [12147AGKX679](#) [12246X778](#) [12TW49-3D](#) [130312](#) [13037L](#) [13001X](#)
[AE101MD1W4B04](#) [AE208SD1W4B04](#) [MS24659-22D](#) [MS27407-5](#) [1520230-9](#)