

# CW series

Proportional miniature thumb controls •  
non-contacting Hall effect technology



## DISTINCTIVE FEATURES

- Single axis
- Analog or PWM outputs
- Spring return to center
- Snap-in mounting
- Designed for joysticks, armrests and panel mounting



## ENVIRONMENTAL SPECIFICATIONS

- Operating Temperature: -40 °C to +85 °C (-40 °F to +185 °F)
- Storage Temperature: -40 °C to +85 °C (-40 °F to +185 °F)
- Sealing: No sealing
- EMC Immunity Level: EN61000-4-3
- EMC Emissions Level: EN61000-6-3: 2001
- ESD: EN61000-4-2



## ELECTRICAL SPECIFICATIONS

- Technology: Hall effect sensor
- Supply Voltage Range: 5.00 VDC  $\pm$  0.01 VDC
- Ratiometric output options: See options
- Reverse Polarity max: -10 VDC
- Transient overvoltage max: 16V
- Overvoltage max: 16 V
- Output Impedance: 2  $\Omega$
- Return to Center Voltage Tolerance:  $\pm$  200 mV initial



## MECHANICAL SPECIFICATIONS

- Operating Force: 0.7 N (0.15 lbf)
- Maximum Vertical Load: 111 N (25 lbf)
- Maximum Horizontal Load: 67 N (15 lbf)
- Mechanical Angle of Movement:  $\pm$  45°
- Expected Life: 3 million lifecycles
- Mass/weight: 4.2 g  $\pm$  1.0 g (0.15 oz  $\pm$  0.03 oz)
- Lever Action (centering): Spring

U.S. Patent #D767,685 S  
U.S. Patent #D740,886 S

The company reserves the right to change specifications without notice.



# CW series

Proportional miniature thumb controls • non-contacting Hall effect technology

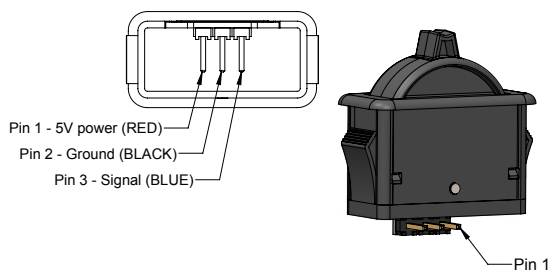


## MATERIALS

- Body: Delrin
- Actuator: Glass filled nylon



## CONNECTIONS



OPTIONAL MATING HARNESS<sup>1</sup>  
Part number: 505-507

Wire type: 22 AWG 25 cm PTFE

Connector: Molex 0050579503

### WIRING SPECIFICATION

Red: Power (5 V)

Black: Ground

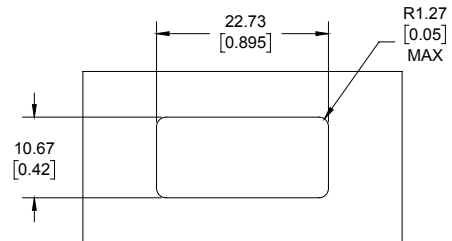
Blue: Signal

<sup>1</sup> - The CW Series is fitted with a three terminal SAMTEC (TLW-103-05-T-S) 2.54 mm header. An optional 22 AWG Mating Harness (PN 505-507) may be specified from the "Terminal" category of the Option Selection Guide.

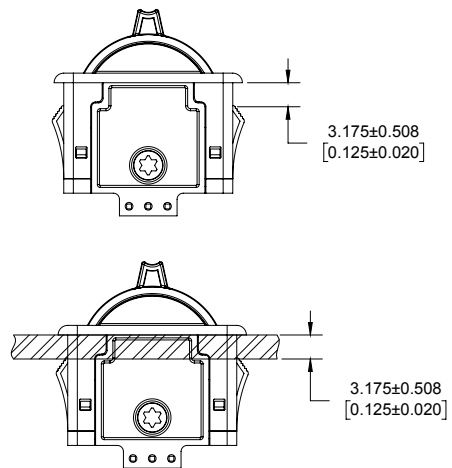


## MOUNTING

### PANEL CUTOUT



### PANEL THICKNESS

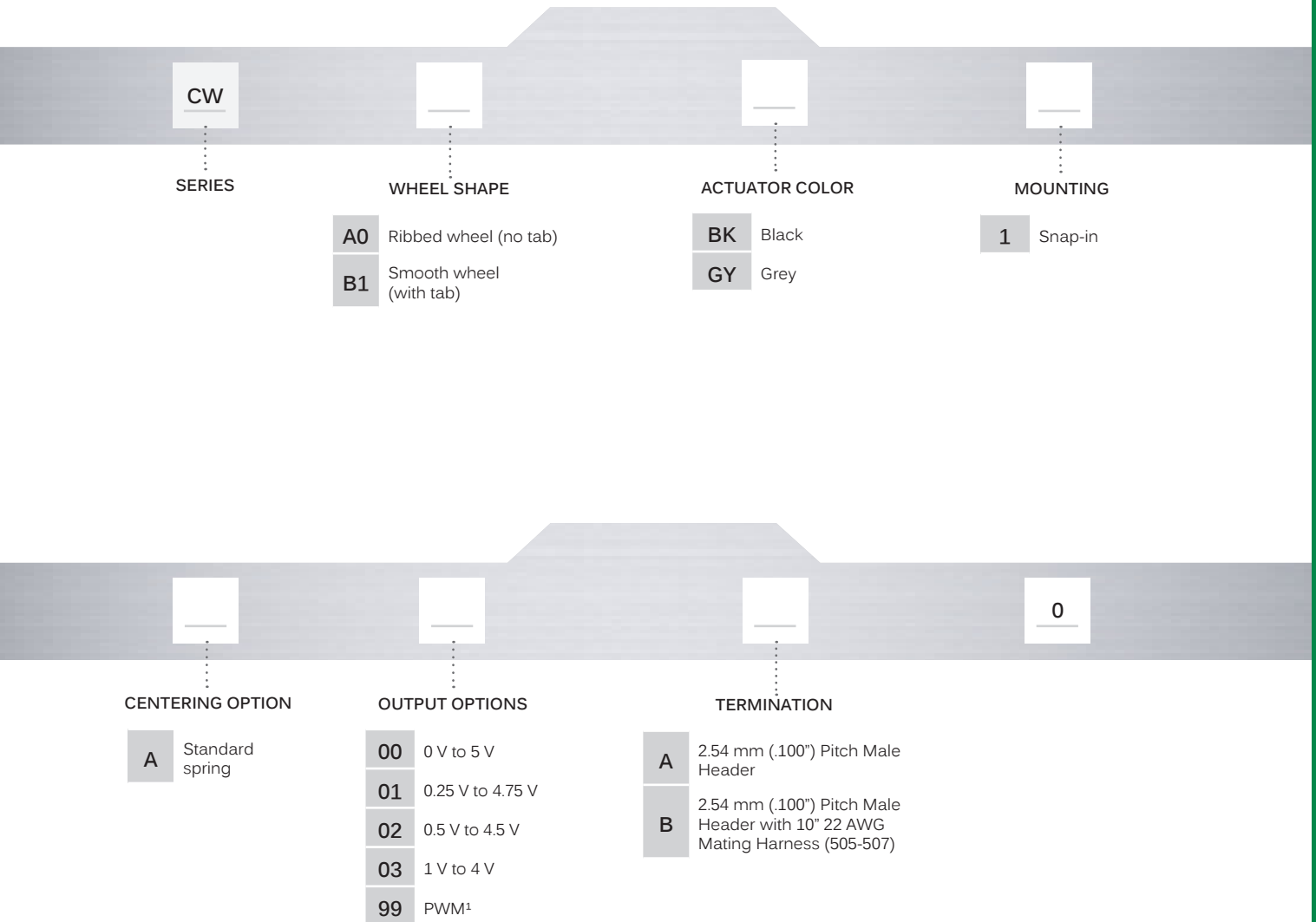


# CW series

Proportional miniature thumb controls • non-contacting Hall effect technology



## BUILD YOUR PART NUMBER

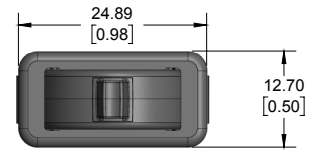
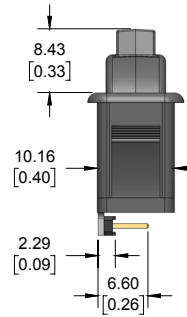
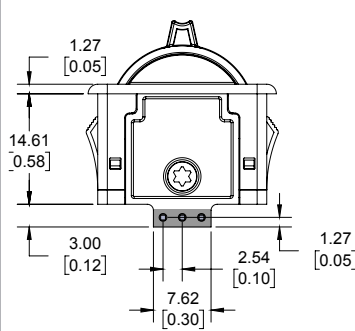


<sup>1</sup> - Contact factory for PWM configuration.

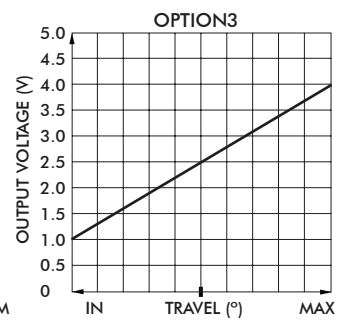
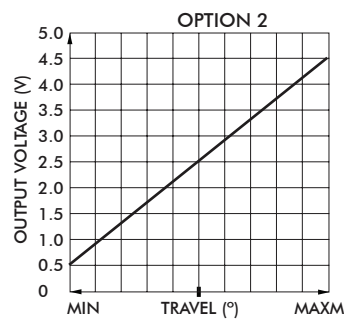
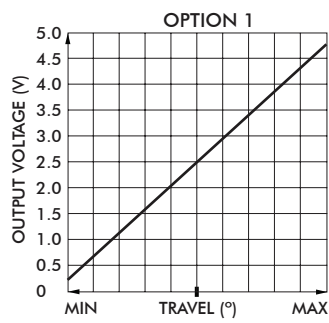
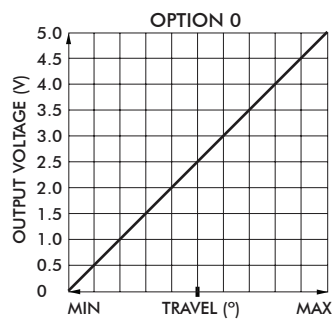
# CW series

Proportional miniature thumb controls • non-contacting Hall effect technology

## DIMENSIONS



## VOLTAGE OUTPUT OPTIONS



## X-ON Electronics

Largest Supplier of Electrical and Electronic Components

*Click to view similar products for [Joysticks](#) category:*

*Click to view products by [Apem](#) manufacturer:*

Other Similar products are found below :

[M11L0A1](#) [C1000C1P](#) [S10L0A1M](#) [G3-A1AM151NNNN](#) [TH500P00D4](#) [C1000C1PMJ0](#) [S10L061J](#) [60C22-M7-4-020S](#) [67A-DF-3C-060C](#)  
[60A00-8-050C](#) [60A00-4-050C](#) [60C22-M7-4-040S](#) [G3-0425](#) [S30L081F50](#) [3440SAT6476](#) [60A18-4-090C](#) [S30L081J](#) [M11L001C](#) [M11L0X1P](#)  
[USBM31Q081RMJ4S](#) [USBC200051JMJS](#) [TW08BLK12](#) [S30L0M1CSJBLK](#) [HF11R11](#) [HG-44MIS000-2654](#) [HG-44MIS000-U-2655](#)  
[4P182F1E55475](#) [TS4A1S00A](#) [BD140D01GR0000](#) [BD150SD4BL1200](#) [3140SAL6475](#) [TW01BLK11](#) [TW01GRY1](#) [ZD4PA203](#)  
[HF44S10UMJ0](#) [TS3N2S00A](#) [TS1R1U00A](#) [TS1R1S09A](#) [TS1D2S00A](#) [HFX45S02](#) [HFX10S00](#) [HF11P11](#) [4R28-2S1E-55-00](#)  
[BD150A01RE0000](#) [BD150D02BK1200](#) [ZD4PA24](#) [ZD4PA22](#) [ZD4PA12](#) [ZD4PA14](#) [J1-00105-S-G](#)