

DH1 series

Thumb wheel switches



DISTINCTIVE FEATURES

Diameter 13 mm

Width 16 mm

SMT Gull Wing

10 Position BCD



ENVIRONMENTAL SPECIFICATIONS

- Operating temperature: -50 °C to +125 °C (-58 °F to +257 °F)
- Storage temperature: -55 °C to +135 °C (-67 °F to +275 °F)
- Humidity : 21 days at 40 °C (104 °F) 93% RH



ELECTRICAL SPECIFICATIONS

- Operating voltage : 42 VDC max.
- Contact load, static : 400 mA max.
- Contact load, dynamic : 100 mA max.
- Initial contact resistance : 80 mΩ max.
- Insulation resistance : 100 MΩ min.
- Minimum load : 1 μA 20 mVDC
- Insulation resistance : 100 MΩ min.
- Test voltage: 250 V 50 Hz / 1 min



MECHANICAL SPECIFICATIONS

- Torque : 1.2 Ncm ± 0.2
- Mechanical lifetime : min. 25 000 steps

The company reserves the right to change specifications without notice.



DH1 series

Thumb wheel switches



MATERIALS

- Housing : plastic
- Cover : stainless steel
- Fixed contact, pins : copperalloy
- Moveable contacts : copperalloy
- Contact surface : hardgold
- Rotor: plastic
- O-ring : rubber
- Washer : stainless steel
- Wheel : plastic



SOLDERING

- Reflow soldering : 260 °C (500 °F) max. for 10 seconds max.



PACKAGING

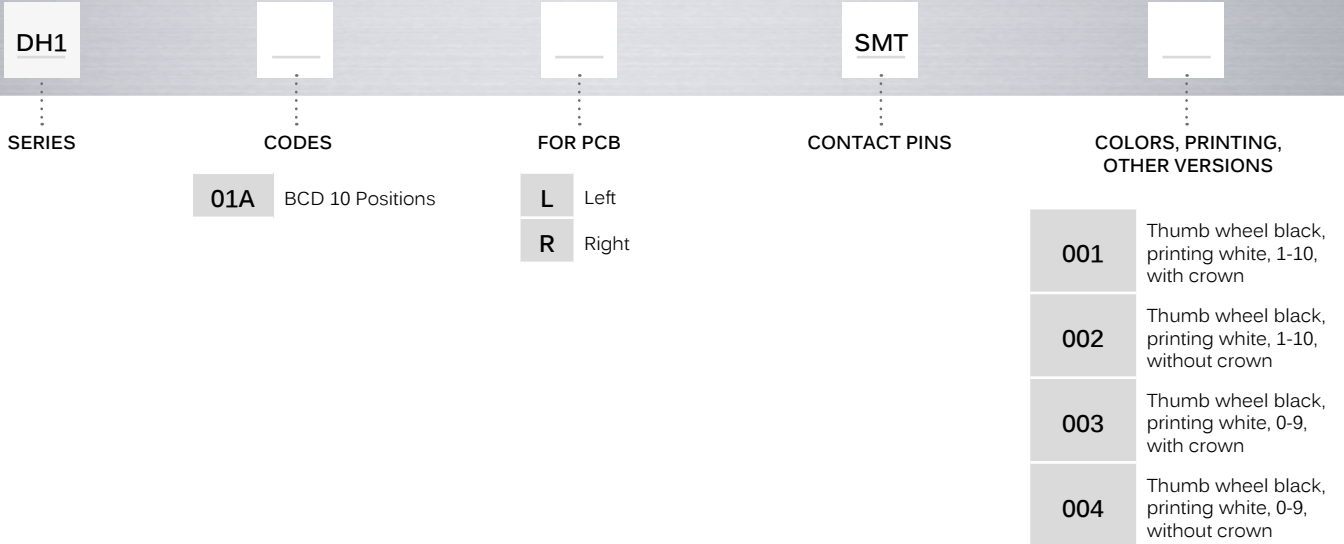
- Tape and Reel

DH1 series

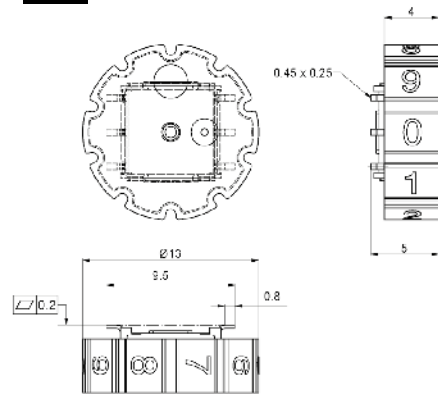
Thumb wheel switches



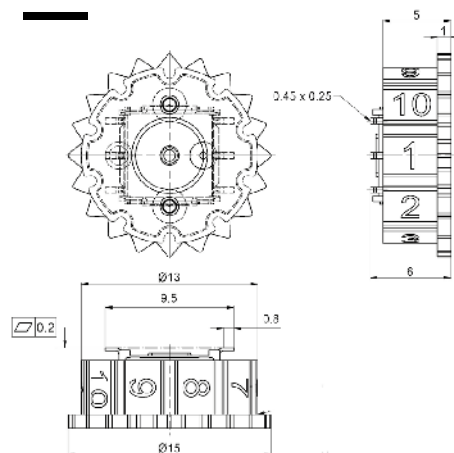
BUILD YOUR PART NUMBER



WITHOUT OPERATING CROWN



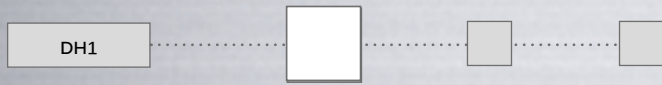
WITH OPERATING CROWN



DH1 series

Thumb wheel switches

CODES



01A BCD 10 Positions

POSITION MARKING

POSITION	C	1	2	4	8	MARKING
0	●					1
1	●	●				2
2	●		●			3
3	●	●	●			4
4	●			●		5
5	●	●		●		6
6	●		●	●		7
7	●	●	●	●		8
8	●				●	9
9	●	●			●	10

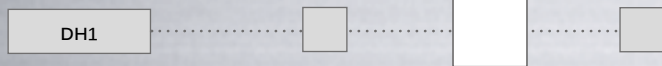
Left

POSITION MARKING

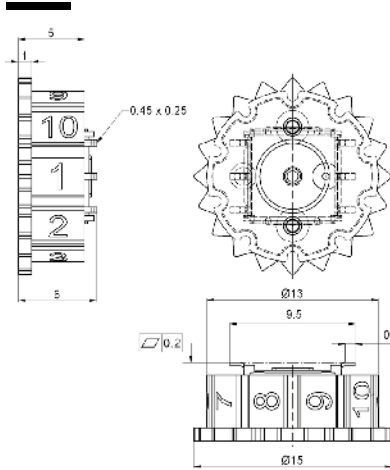
POSITION	C	1	2	4	8	MARKING
0	●					1
9	●	●			●	2
8	●				●	3
7	●	●	●	●		4
6	●		●	●		5
5	●	●		●		6
4	●			●		7
3	●	●	●			8
2	●		●			9
1	●	●				10

Right

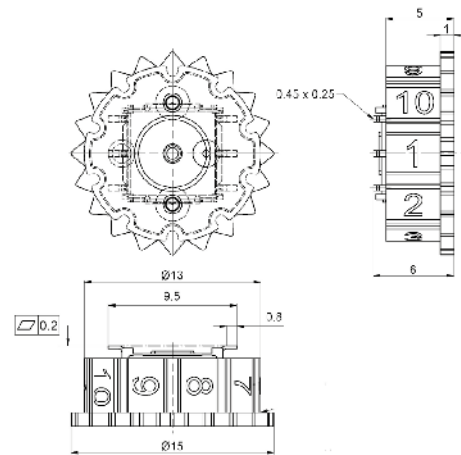
FOR PCB



L Left
R Right

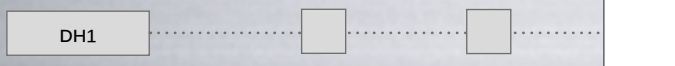


Left

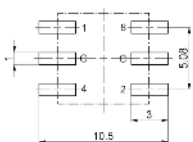


Right

CONTACT PINS



SMT



X-ON Electronics

Largest Supplier of Electrical and Electronic Components

Click to view similar products for [Coded Rotary Switches](#) category:

Click to view products by [Apem](#) manufacturer:

Other Similar products are found below :

[94HCB08W](#) [94HCB10WR](#) [PT65503RT](#) [P60AS703](#) [P60A503](#) [P65THR101L254](#) [RTE16 LFTSVTPL 13613](#) [GSDR-10S](#) [CRD10CM0SBR](#)
[DRS4116](#) [RTE1600R44](#) [ERD110RSZ](#) [ERD116CSZ](#) [ERD116RSZ](#) [94HCB10T](#) [94HBB16WT](#) [94HBB10WT](#) [94HAC10T](#) [94HAB16WT](#)
[94HAB16T](#) [94HAB10WT](#) [94HAB08WT](#) [ERD216RSZ](#) [ND3FR10P](#) [DRR3110](#) [S-4010TA](#) [94HCB16WT](#) [94HCB16T](#) [94HCB10RAT](#)
[94HCB08T](#) [94HAB16RAT](#) [S-2031A](#) [S-1010A](#) [RTE1000V14](#) [RTBH31BS10ANNZP](#) [PT65501L254](#) [PT65127L254](#) [PT65502L508](#) [1-](#)
[1825007-1](#) [1-1825007-6](#) [ND3FR16B](#) [ND3FR16P-R](#) [RTE0400N04](#) [RTE1000N14](#) [RTE1002G14](#) [RTE1002N14](#) [RTE1010N14](#) [1825007-1](#)
[1825008-2](#) [PT65101L254](#)