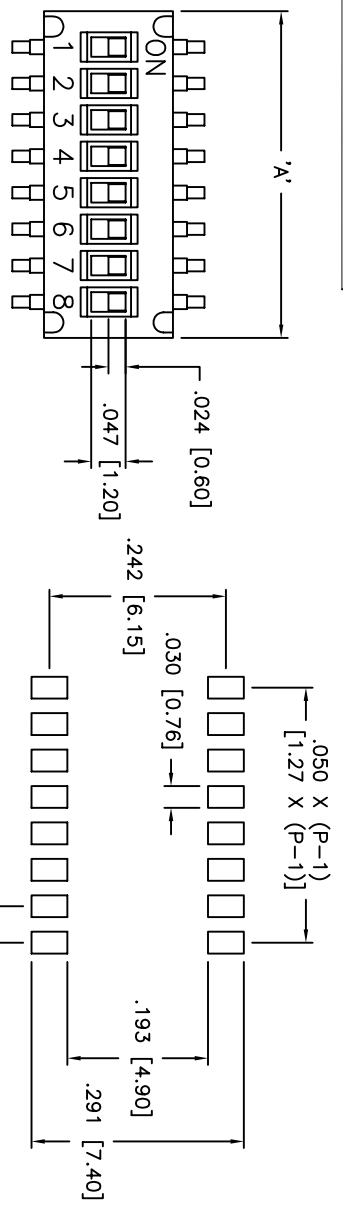
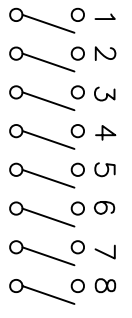
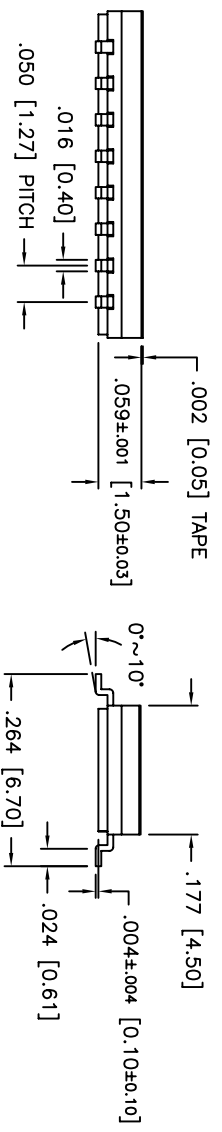


THIS DOCUMENT IS THE PROPERTY OF APDM COMPONENTS AND SHALL NOT BE COPIED, REPRODUCED, DISCLOSED OR USED AS THE BASIS FOR MANUFACTURING OR SALE WITHOUT PERMISSION OF A DULY AUTHORIZED REPRESENTATIVE OF APDM COMPONENTS INC.



P.C. LAYOUT
UNLESS OTHERWISE SPECIFIED
P.C. TOLERANCES ARE ±.002 [0.05]



CIRCUIT DIAGRAM

MODEL NUMBER	NO. OF POSITIONS	DIMENSION 'A'
DHN02	2	.148 [3.77]
DHN04	4	.248 [6.31]
DHN06	6	.348 [8.85]
DHN08	8	.448 [11.39]
DHN10	10	.548 [13.93]

PROD. NO.: DHN*****
 PROD. SERIES: _____
 NUMBER OF POSITIONS: _____
 02 = 2
 04 = 4
 06 = 6
 08 = 8
 10 = 10
 PAKAGING
 □ = TUBE
 T/R = TAPE & REEL
 SEALING
 □ = REGULAR
 T = TOP TAPE SEAL
 □ = IN ON POSITION
 F = IN OFF POSITION
 PLATING: _____
 □ = 3µ" GOLD MIN
 A = 10µ" GOLD MIN.

DESCRIPTION: SURFACE MOUNT DIP SWITCH
 WITH TAPE SEAL OPTION.
 SPECIFICATIONS:

SWITCHING RATING: 25mA, 24VDC.
 NON-SWITCHING RATING: 100MA, 50VDC.
 CONTACT RESISTANCE: 100 MOHMS MAX
 DIELECTRIC STRENGTH: 300VAC for 1 MINUTE.
 INSULATION RESISTANCE: 100MOHMS MIN. AT 500VDC
 CAPACITANCE: 5PF AT 1MHZ±10KHZ MAX.
 OPERATING FORCE: 500 gf MAX.
 STROKE: 0.6mm
 OPERATING TEMP: -40° to 85° C.
 STORAGE TEMP: -40° to 85° C.
 ELECTRICAL LIFE: 1,000 CYCLES.
 MECHANICAL LIFE: 1,000 OPERATIONS.
 CIRCUIT: 1 POLE 1 THROW.
 VIBRATION TEST: PASSES METHOD 201A. MIL-STD-202F.
 SHOCK TEST: 50g PER METHOD 213B. MIL-STD-202F.

MATERIALS:
 BASE & COVER: UL94V-0 NYLON HIGH-TEMP. THERMOPLASTIC
 COLOR, BLACK
 ACTUATOR: LCP HIGH-TEMP. THERMOPLASTIC.
 COLOR, WHITE
 CONTACT: PHOSPHOR BRONZE WITH GOLD PLATING
 TERMINAL: BRASS WITH GOLD PLATING
 TAPE: KAPTON
 SOLDERING:
 HAND SOLDERING: 350°C FOR 5 SECONDS MAX.
 REFLOW: 260°C FOR 5-10 SECONDS

DATE	SYM	REVISION RECORD	DWNL	CK
3/08	B	ECO# 785	CD	

APDM 63 Neck Rd. Hendersonville, NC 27535 (704) 272-5554 FAX: (704) 272-5554		PPN: CJD BR: _____ OR: _____ PJD
DESIGNS: ORIGINAL DIMENSION	TOLERANCES (UNLESS OTHERWISE SPECIFIED) .XX±.02 [0.5] .XXX±.008 [0.20] .XXXX±.0008 [0.02] ANGLE = 40.5°	TITLE HALF PITCH DIP SWITCH
SHEET 1 OF 1 SIZE B SCALE B:1	THIRD ANGLE PROJECTION	DATE: 3/20/08 DRAWING NO: DHN***** REV: B

X-ON Electronics

Largest Supplier of Electrical and Electronic Components

Click to view similar products for [DIP Switches/SIP Switches](#) category:

Click to view products by [Apem](#) manufacturer:

Other Similar products are found below :

[78M03S](#) [79B10T](#) [8136-475G4T](#) [G7G-1A2-CB-DC12](#) [H7CZL8AC100240](#) [A7SS-M](#) [A8CA-201](#) [DRR60016](#) [DRS4016](#) [1825008-1](#) [1825444-1](#) [25.350.0653.0](#) [SDA10H1BDA](#) [97R06ST](#) [A2C-2A5](#) [1825444-7](#) [ADE08SA04](#) [ADE12S04](#) [192960010](#) [2-1825058-8](#) [25.330.0653.1](#) [25.352.0353.0](#) [CXDRIVEV2X](#) [IKN0600000](#) [IKN0800000](#) [LA2-002-DC24](#) [DBS1003](#) [438872000](#) [DRD10CRAE04](#) [DSR02T](#) [DSS 208 N](#) [E2FMX2D1M1TGJ03M](#) [NDI10H](#) [219-9MSTP](#) [204-6ES](#) [EPM02FV](#) [701521596](#) [NDS08V](#) [76SB05](#) [79A10](#) [TD06H0SK1](#) [Z7.255.9027.0](#) [1-1825058-3](#) [1825428-4](#) [219-10LPSTF](#) [E3ZG6111D03M](#) [G4D212PUSTV2DC5](#) [NDI05H](#) [EPG301BT06](#) [206S0117](#)