

EC series

Compact emergency switches •
panel cut-out Ø 22 mm



DISTINCTIVE FEATURES

- Compact emergency stop switches with Ø22 mm bushing
- Integrated connector for easy mounting
- Front sealing : IP65
- Approved according to EN 60947-5-1, EN 60947-5-5



ELECTRICAL SPECIFICATIONS

- Electrical function : One pole, Normally closed contact (NC).
- Current/voltage rating (EN60947-5-1):
 Ui : 250 V, Uimp : 2.5 kV, direct opening action
 AC15 B300, 3 A/120 V; 1.5 A/240 V, Ith: 5 A
 DC13 R300, 220 mA/125 V; 110 mA/250 V, Ith: 1 A
- Electrical life : 50,000 lifecycle (6,050 lifecycles according EN60947-5-1)
- Dielectric strength : 2,500 Vrms 50 Hz min. between terminals



ENVIRONMENTAL SPECIFICATIONS

- Front panel sealing : IP65
- Operating temperature : -35 °C to +70 °C (-31 °F to +158 °F)
- Storage temperature : -40 °C to +85 °C (-40 °F to +185 °F)



GENERAL SPECIFICATIONS

- Panel thickness : 1-4 mm (.039 - .157) max.
- Torque : 1.5 Nm max. applied to nut



MATERIALS

- Case : PA66
 - Actuator : PA66
 - Bushing : PA66
 - Contacts and terminals : Brass silver plated + silver rivet
- APEM products may be recycled at end-of-life for the re-claiming of valuable metal components.

The company reserves the right to change specifications without notice.

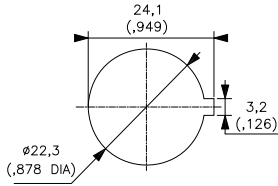


EC series

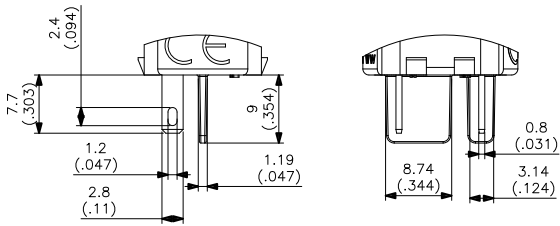
Compact emergency switches • panel cut-out Ø 22 mm



PANEL CUT-OUT



TERMINALS



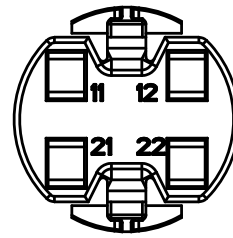
ELECTRICAL FUNCTIONS



Single pole
Normally closed



CONNECTIONS



2.8 (.110) tabs to be fitted by the user
(example : AMP/Tyco 0-927779-3) on connector location #11 and #12.

AGENCY APPROVALS



EN 60947-5-1: 2017
EN 60947-5-5 : 1997+A1+A11+A2



2014/35/EU

EC series

Compact emergency switches •
panel cut-out Ø 22 mm

SINGLE POLE



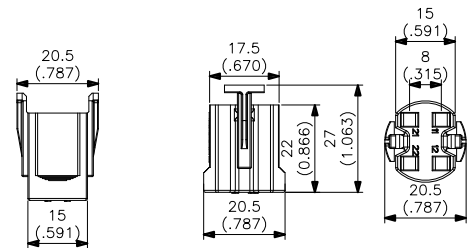
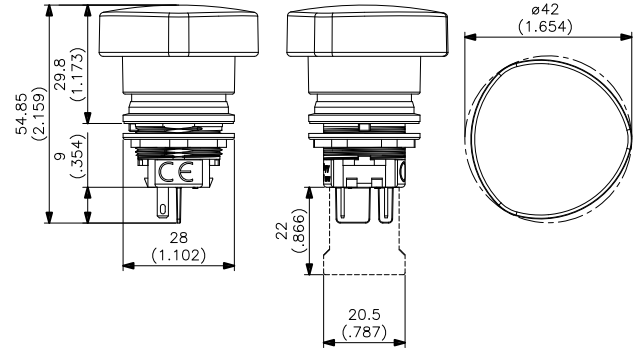
EC-BTT-F-002-A



CONNECTOR



EC481022



X-ON Electronics

Largest Supplier of Electrical and Electronic Components

Click to view similar products for [Emergency Stop Switches / E-Stop Switches](#) category:

Click to view products by [Apem](#) manufacturer:

Other Similar products are found below :

[84-6830.0020](#) [AVN302N-R](#) [3050.1302Y](#) [44-710](#) [ZA2BV05](#) [951FY000-WO](#) [ER6022-022N](#) [952+2000-00](#) [ES3S51653001](#) [601+0000-OP](#)
[E100-A2A22S05A](#) [FD 593-M2](#) [SR AL40ALK](#) [XCSA802](#) [XCSB502](#) [AZM 161SK-12/12RIA-024-B1](#) [84-5141-2B40](#) [84-6820.0020A](#) [84-](#)
[6820.0040](#) [XY2CH13250H29](#) [XCSDMR590L01M12](#) [XCSTA892](#) [XCSMP80L5](#) [FB1W-HW1B-M220B](#) [FB1W-HW1B-X401R](#) [84-](#)
[5221.2B20](#) [AYD311NUS](#) [AZM KEY \(M5\)](#) [AZ 17/170-B15](#) [TESZ1102/S](#) [AZM 161SK-12/12RKA-110/230](#) [AZM 415-11/11ZPK 24VAC/DC](#)
[AZM 161-B1S](#) [AZ 15/16-B1-2245](#) [AZ 17/170-B11](#) [AZ 17-11ZI B5](#) [BNS 40S-12Z 10,0M](#) [AZ 16-02ZVRK-ST](#) [AZ/AZM 415-B2](#) [AZ/AZM](#)
[415-B3](#) [BNS 260-02Z-L](#) [MZM 100-B1.1](#) [A-K8P-M12-S-G-5M-BK-2-X-A-4-69](#) [A-K8P-M12-S-G-10M-BK-2-X-A-4-69](#) [A-K5P-M12-S-G-](#)
[10M-BK-2-X-A-4-69](#) [A-K4P-M12-S-G-2M-BK-2-X-A-4-69](#) [AZ/AZM201-B30-LTAG1P1](#) [SK-BETÄTIGER M3](#) [SK-BET.M4 KPL. M.KAP.](#)
[BETÄTIGER A1 KPL.](#)