

# FG series

## FIXED GRIP™ hand controllers

Distinctive features and specifications



- USB outputs available
- Rugged hand operation
- Above panel sealing up to IP65
- Custom configured

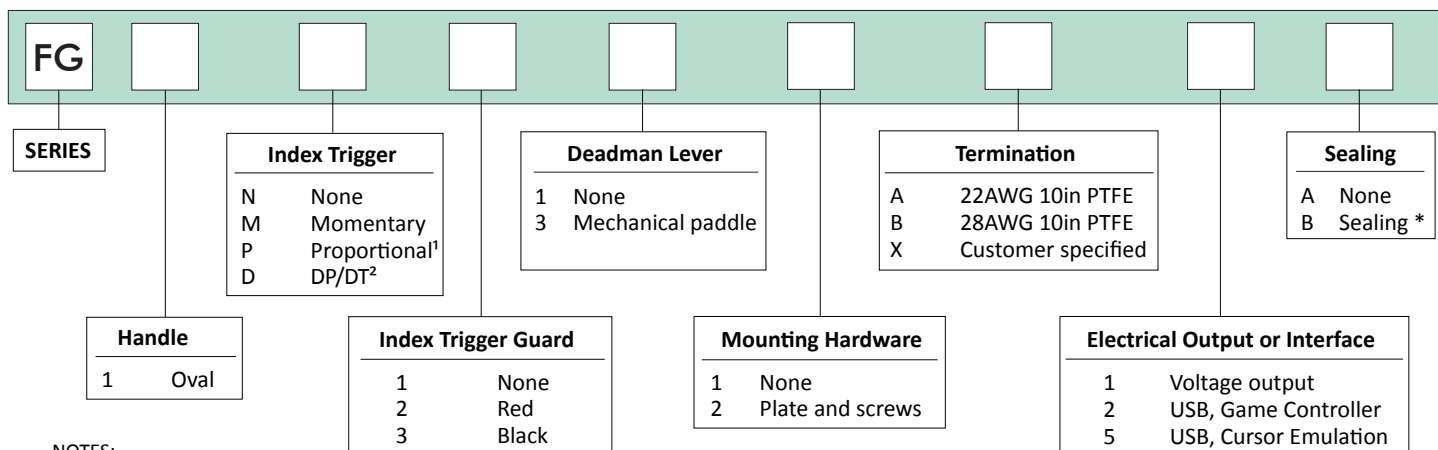
### ENVIRONMENTAL

- Operating Temperature: -40°C to 85°C (-40°F to 185°F)
- Storage Temperature: -40°C to 85°C (-40°F to 185°F)
- Sealing: up to IP65
- EMC Immunity Level (V/M): IEC 61000-4-8:2009
- EMC Emissions Level: IEC 61000-4-3:2006
- ESD: IEC 61000-4-2:2008

NOTE: All values are nominal

### STANDARD SWITCH CHARACTERISTICS/RATINGS

- Electrical Resistive Load: 5A (depending on the chosen switch)
- Electrical Inductive Load: 3A (depending on the chosen switch)
- Low Level: 10mA @ 30mV (depending on the chosen switch)
- Electrical Life: 1 million cycles 5A @ 28 VDC resistive snap-action (depending on the chosen switch)
- Mechanical Life: 1,000,000 cycles
- Action: Momentary, snap-action
- Operating Force: 7.5N±2.0N (1.69lbf±0.11lb)
- Total Travel: 0.080 inch max
- Over Travel: 0.010 inch min



**NOTES:**

- 1 0.5V to 4.5V output
- 2 Double pole/double throw

Above panel sealing up to IP65 available (dependent on handle configuration).

Mounting accessories. Screws: 1/4-20 x 1.25in stainless steel screws, lock washers, and hex nuts.



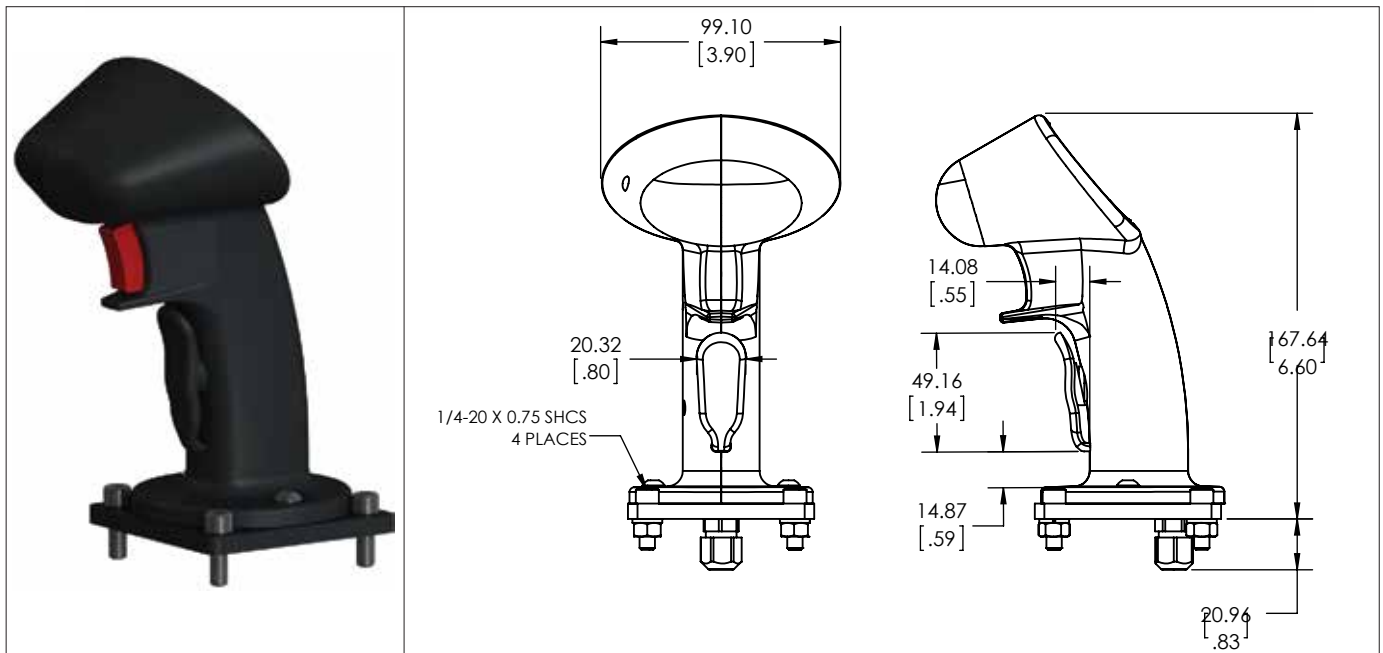
Note: The company reserves the right to change specifications without notice.

# FG series

## FIXED GRIP™ hand controllers

Overview

### HANDLE / INDEX TRIGGER



#### NOTES

- Dimensions are in mm/(inch).
- FACEPLATE:**  
The FG series FIXED GRIP hand controller features a modular faceplate that can be customized for specific applications. Ambidextrous for most configurations, the faceplate may be populated with a variety of thumb actuated switches including momentary pushbuttons, latching pushbuttons, two or three way toggle switches, 4 or 5 way trims, and miniature proportional joysticks. Every FG faceplate is custom configured to order. Please consult factory for options.
- INDEX TRIGGER**  
The FG series FIXED GRIP controllers may be equipped with or without an index trigger switch. Index trigger configuration options include a single pole normally open momentary switch, a double pole double throw tactile switch, or a proportional Hall effect device.  
Index Trigger Options: N: None  
M: Momentary, single pole normally open  
P: Hall effect, 0.5V to 4.5V proportional output  
D: Double pole, double throw
- DEADMAN LEVER**  
Deadman Lever Options: 1: None  
2: Mechanical Paddle

Note: The company reserves the right to change specifications without notice.

# FG series

## FIXED GRIP™ hand controllers

Overview

### USB

#### USB

Featuring USB 2.0 HID compliant interface, APEM's USB joysticks are recognized as standard HID "game controller" devices. Adhering to the HID specification, APEM's USB joysticks are plug-and-play with most versions of Windows. Joystick button and axis assignments are dependent upon the controlled application.

#### FEATURES

- USB 2.0 HID compliant "game controller" device
- Easy to install and operate
- Functions determined by controlled application

#### SUPPLIED WIRING

USB: USB Male Type A Connector with overmolded cable

#### CURSOR EMULATION

The Cursor Emulation option converts multi-axis joystick output into a mouse, trackball, or cursor control device. The joystick's internal microprocessor converts absolute axis position into a cursor velocity, which is translated as a relative trackball or mouse position.

#### APPLICATIONS

The Cursor Emulation option is ideal for vehicle applications subjected to dirt and high vibration which makes operating a traditional cursor control device difficult. The Cursor Emulation option is widely used in shipboard and military applications.

#### FEATURES

- HID compliant "pointing device"
- Plug-and-play with USB option

#### SUPPLIED WIRING

USB: USB Male Type A Connector with overmolded cable

## X-ON Electronics

Largest Supplier of Electrical and Electronic Components

*Click to view similar products for [Joysticks](#) category:*

*Click to view products by [Apem](#) manufacturer:*

Other Similar products are found below :

[M11L0A1](#) [C1000C1P](#) [S10L0A1M](#) [G3-A1AM151NNNN](#) [TH500P00D4](#) [C1000C1PMJ0](#) [S10L061J](#) [60C22-M7-4-020S](#) [67A-DF-3C-060C](#)  
[60A00-8-050C](#) [60A00-4-050C](#) [60C22-M7-4-040S](#) [G3-0425](#) [S30L081F50](#) [3440SAT6476](#) [60A18-4-090C](#) [S30L081J](#) [M11L001C](#) [M11L0X1P](#)  
[USBM31Q081RMJ4S](#) [USBC200051JMJS](#) [TW08BLK12](#) [S30L0M1CSJBLK](#) [HF11R11](#) [HG-44MIS000-2654](#) [HG-44MIS000-U-2655](#)  
[4P182F1E55475](#) [TS4A1S00A](#) [BD140D01GR0000](#) [BD150SD4BL1200](#) [3140SAL6475](#) [TW01BLK11](#) [TW01GRY1](#) [ZD4PA203](#)  
[HF44S10UMJ0](#) [TS3N2S00A](#) [TS1R1U00A](#) [TS1R1S09A](#) [TS1D2S00A](#) [HFX45S02](#) [HFX10S00](#) [HF11P11](#) [4R28-2S1E-55-00](#)  
[BD150A01RE0000](#) [BD150D02BK1200](#) [ZD4PA24](#) [ZD4PA22](#) [ZD4PA12](#) [ZD4PA14](#) [J1-00105-S-G](#)