

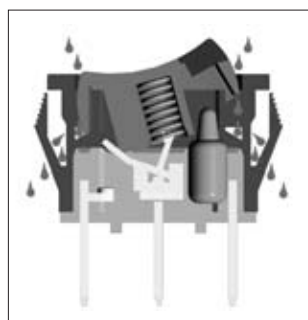
FM series

Snap-in rocker switches - panel cut-out 19 x 13 (.750 x .508)

Distinctive features and specifications

- Illuminated and non-illuminated
- For class II appliances
- VDE and UL approved
- Protection against moisture by double-shell case

When the switch is submitted to moisture (drops, condensation), the double-shell case conducts the liquid outside, thus protecting the contact area and terminals. The light dripping inside the equipment resulting from this should be evacuated by adequate arrangement on back of panel.



- Protection by boot

In case of sand or splashing water, the best protection consists of insulating the rocker from these aggressive elements. This can be achieved with transparent PVC boot **U5720**. Order separately, see section H.

AGENCY APPROVALS



EN 61058-1



Availability : functions 1 and 6

Marking : approved models are standard marked.

Dimensions : first dimensions are in mm while inches are shown as bracketed numbers.



Packaging unit : 150 pieces.

FM series

Snap-in rocker switches - panel cut-out 19 x 13 (.750 x .508)

Single pole - non-illuminated

- Approved ratings (functions 1 and 6) :
VDE : 10(4)A 250VAC T85°C - **UL** : 6A 250VAC & 125VAC T65°C
- Max. contact rating :
 - functions 1 and 6 : see above.
 - function 3 : 4A 250VAC
 - functions 8 and 9 : 6A 250VAC
- Initial contact resistance : 20mΩ max.
- Insulation resistance : 1.000 MΩ min. at 500VDC
- Dielectric strength : - functions 1 and 6 : 2.500 Vrms between terminals
 - functions 3, 8 and 9 : 1.500 Vrms between terminals
- Electrical life at full load : 10 000 cycles

- Operating temperature :
 -20°C to +85°C
- Case, frame, rocker : PA6/6
- Contacts : silver
- Terminals : silver plated
- Panel cut-out :

Panel thickness	Dim. Y	Dim. Z
0,75 to 1,25 mm	19,2 +0/-0,1	12,9 +0,15/-0
1,25 to 2 mm	19,4 +0/-0,1	12,9 +0,15/-0
2 to 3 mm	19,8 +0/-0,1	12,9 +0,15/-0

FM	C			A			0	0	
SERIES	Electrical functions		Contacts		Frame colour	Rocker colours		Lamp	
	1 ON - OFF 3 MOM - OFF 6 ON - ON 8 ON OFF MOM 9 ON OFF ON		A Silver		2 Black Others : on request.	1 Blue 2 Black (std) 3 Green 4 Grey 5 Yellow 6 Red (std) 7 Ivory 7/1 White 9 Orange		0 None	
	Rocker		Terminals					Lens colour	
	C Non illum. Concave		2 Solder lug 8 Quick-conn. 9 Straight PC (funct. 1 & 6)					0 No lens	
								Marking *	
								000 None 001 0 002 - 003 I 004 I 0 II 005 H O Z	

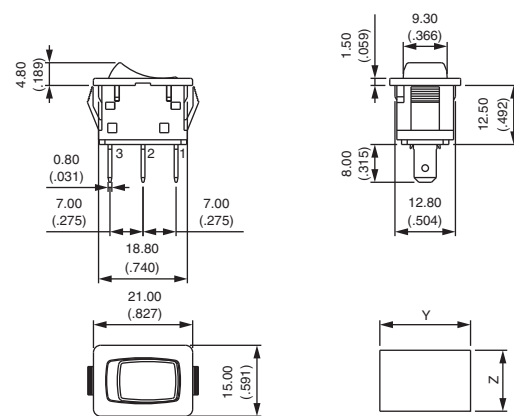
* Colour of marking : white for black rockers - black for other colours - Other : on request.

Single throw and double throw switch



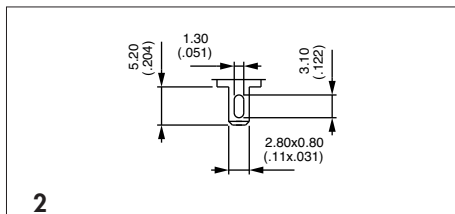
FMC1
FMC3
FMC6
FMC8
FMC9

1-2	ON - OFF
2-3	MOM - OFF
	ON - ON
	ON OFF MOM
	ON OFF ON

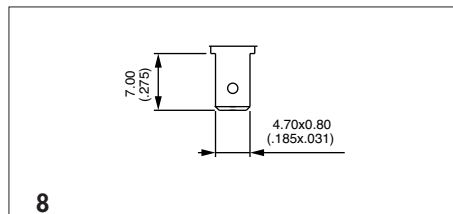


Shown with quick-connect terminals

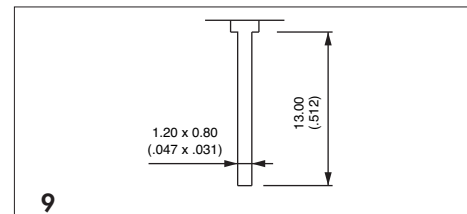
TERMINALS



2
Solder lug



8
Quick-connect



9
Straight PC (functions 1 and 6 only)

FM series

Snap-in rocker switches - panel cut-out 19 x 13 (.750 x .508)

Single pole - illuminated

- Approved ratings :
VDE : 10(4)A 250VAC T85°C - **UL** : 6A 250VAC & 125VAC T65°C
- LED types available :
 3,3V (4V max.) 10mA LED (resistor to be series connected by the user)
 5V or 12V LED with integrated resistor
- Initial contact resistance : 20mΩ max.
- Insulation resistance : 1.000 MΩ min. at 500VDC
- Dielectric strength : 2.500 Vrms between terminals
- Electrical life at full load : 10 000 cycles
- Operating temperature: - 20°C to + 85°C
- Case, frame and rocker : PA6/6

- Lens : PC
- Contacts : silver
- Terminals : silver plated
- Lamp terminal : no plating
- Fluorescent lamp for blue or green lens, neon lamp for other colours
- Panel cut-out :

Panel thickness	Dim. Y	Dim. Z
0,75 to 1,25 mm	19,2 +0/-0,1	12,9 +0,15/-0
1,25 to 2 mm	19,4 +0/-0,1	12,9 +0,15/-0
2 to 3 mm	19,8 +0/-0,1	12,9 +0,15/-0

FM	L	1	8	A					
SERIES	Electr. function 1 ON - OFF	Contacts A Silver	Rocker colour 1 Blue 2 Black (std) 3 Green 4 Grey 5 Yellow 6 Red (std) 7 Ivory 7/1 White 9 Orange	Lens colour 1 Blue * 3 Green * 5 Yellow 6 Red 8 Translucent 9 Orange * w. fluorescent lamp	Lamp A 220V neon B 220V fluor. C 110V neon D 110V fluor.	Marking * 000 None 001 <input type="text" value="0"/>	Rocker L Illumin. concave	Terminals 8 Quick-connect	Frame colour 2 Black Others : on request.
					LED 3,3V 10mA E Blue F Red/green G Green H Yellow J White K Red L Orange No resistor**	LED 5V N Green P Yellow Q Red			LED 12V T Green U Yellow V Red

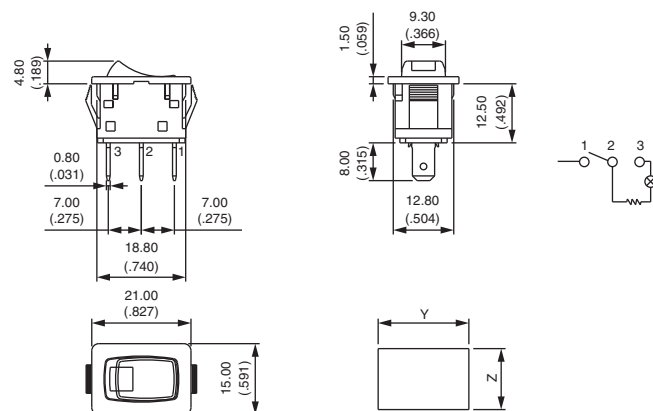
* **Colour of marking** : white for black rockers - black for other colours - Other : on request.
 ** Resistor value = $\frac{\text{supply voltage} - \text{LED forward voltage}}{\text{LED forward current}}$

Illuminated switches - quick-connect terminals



FML1

ON - OFF



For LED models, terminal 2 = cathode (-), terminal 3 = anode (+)

X-ON Electronics

Largest Supplier of Electrical and Electronic Components

Click to view similar products for [Rocker Switches](#) category:

Click to view products by [Apem](#) manufacturer:

Other Similar products are found below :

[LTI LA6E-1S-WH-RC-FN12VXCR1](#) [6-1571986-9](#) [8007K26N324V52](#) [8055K32Z7V](#) [8055K52Z7V](#) [8138K20E6M50](#) [84206L](#) [84312LX](#)
[PREDD5-07F-BB0GW](#) [999-16716-002](#) [999-16716-003](#) [999-16716-004](#) [A101J1V3Q004](#) [A101J2ZQ004](#) [A101J4ZQ004](#) [A101J51CB0004](#)
[A103J1ZQ004](#) [A201J1AQ004](#) [A201J3ZB004](#) [A201J50ZQ004](#) [A203J51ZQ0004](#) [A435S1YZQ](#) [H8500XBBBBBL-A](#) [H8653VBBG2577W](#)
[HB130CHNWWNAAC](#) [R13112ABB-602W](#) [1251.0303](#) [AE205J60V3B004](#) [1352.0107](#) [1500G51E](#) [1571099-3](#) [1571987-4](#) [1571987-5](#)
[1571989-7](#) [1571988-5](#) [B123J77V7B2](#) [B226J50W4Q22P](#) [B433J37ZQ22M](#) [160212E](#) [1634200-7](#) [1801.1164](#) [1839.1502](#) [PANEL-PLUG-VHP-](#)
[BLACK](#) [PANEL-PLUG-VHP-WT](#) [K1ABBSCADN](#) [K2ABAAAAAA](#) [KG312A2DXD246X](#) [250011E714](#) [2600HM11E](#) [2600R21E](#)