

# FR series

## Hall effect 3-position thumb controls

Distinctive features and specifications



- Non-contact Hall effect technology
- Three position, ON-OFF-ON analog output
- 3 million lifecycles
- Submersible to 1m (3.28ft) per IP68
- Choice of handle color
- Redundant outputs available

### ENVIRONMENTAL

- Operating Temperature: -40°C to +85°C (-40°F to +185°F)
- Storage Temperature: -40°C to +85°C (-40°F to +185°F)
- Sealing: Submersible to 1m per IP68<sup>4</sup>
- EMC Immunity Level: EN61000-4-3
- EMC Emissions Level: EN61000-6-3:2001
- ESD: EN61000-4-2

### MECHANICAL

- Initial Actuation Force:
  - 260g Nominal into position 2<sup>3</sup>
  - 360g Nominal out of position 2<sup>3</sup>
- Maximum Vertical Load: 200N<sup>3</sup>
- Maximum Horizontal Load: 150N<sup>3</sup>
- Mechanical Life: 3,000,000 full forward to full back

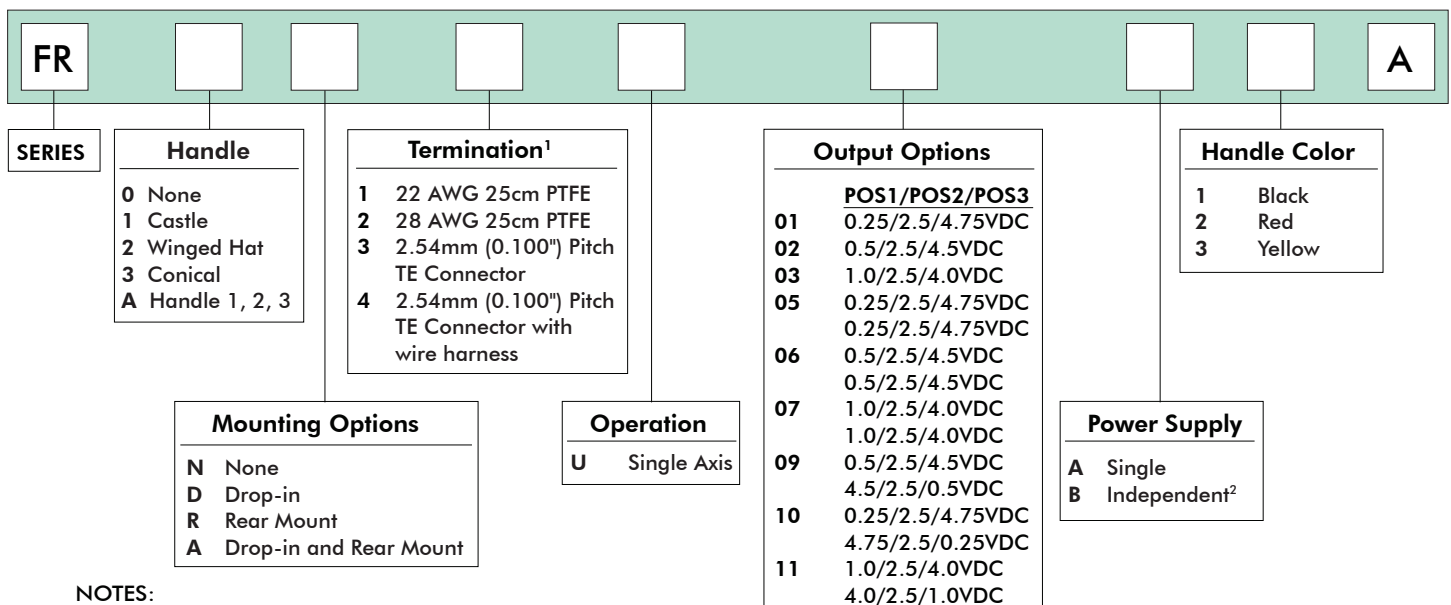
### ELECTRICAL

- Supply Voltage Range: 5.00V ± 0.01V
- Reverse Polarity Max: 10V
- Overvoltage Max: 20V
- Return to Center Voltage Tolerance (POS2): 2.50V ±0.50V
- Output Voltage Tolerance at Full Travel/Detent Position (POS1, POS3): ±0.25V

### MATERIALS

- Handle/Actuator: Glass filled nylon
- Body: Glass filled nylon
- Boot: Silicone

NOTE: All values are nominal.



#### NOTES:



Mounting accessories.

Standard hardware includes: – For the Drop-in option: 4 push in connectors, drop-in bezel and an O-ring.  
 – For the Rear mount option: 4 x 1/2 FH SS Phil Screws and a rear mount bezel.

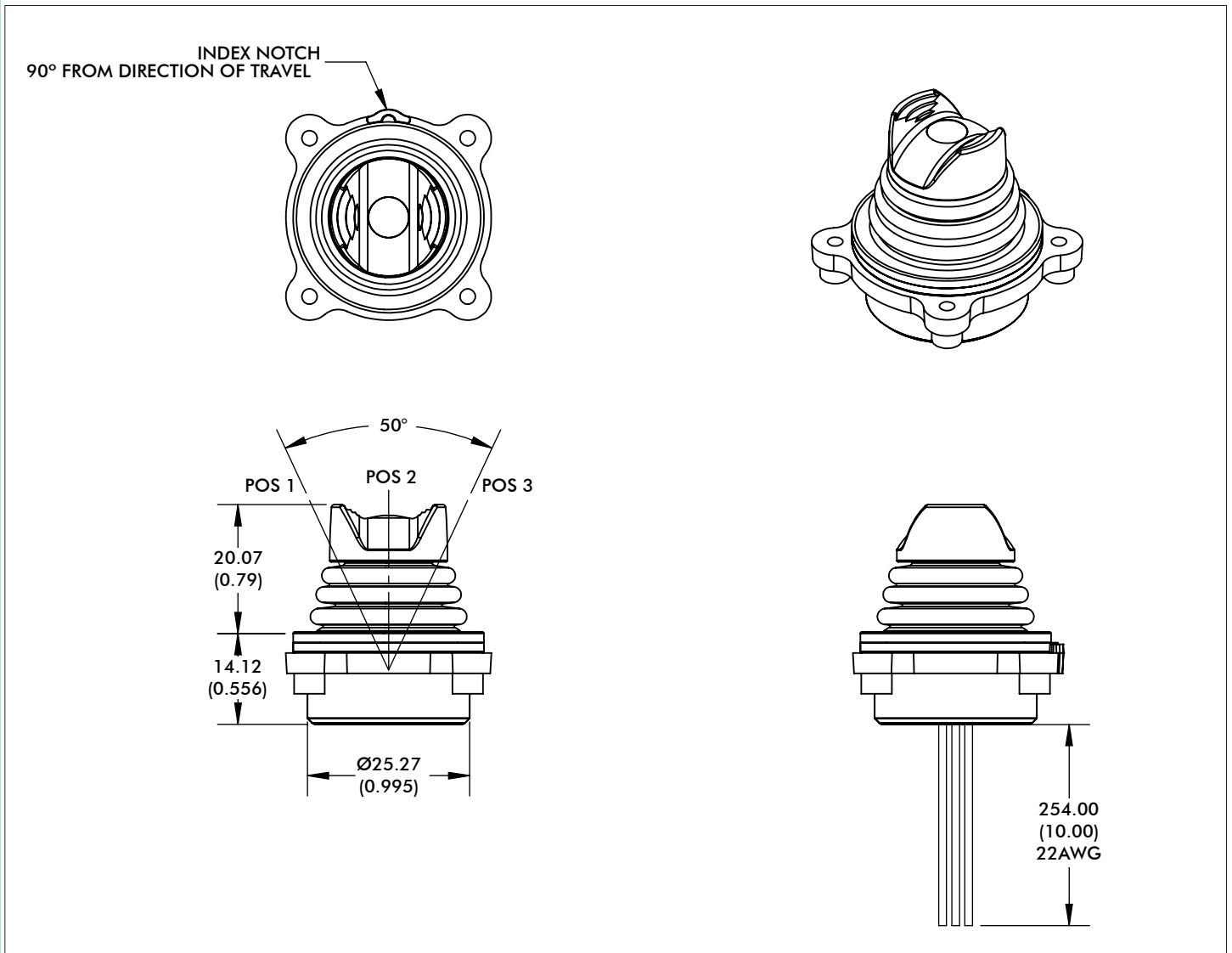
- 1-1 – Wires are thick, robust, and best suited for stand alone applications.
- 1-2 – Wires are thin and best suited for tightly constrained wire routing.
- 2 Only available on dual output.  
Not available with Termination Options 3 or 4.
- 3 Force applied to the top of the castle cap.
- 4 All options are IP68 rated, however Drop-in mounting does not prevent panel ingress.

Note: The company reserves the right to change specifications without notice.

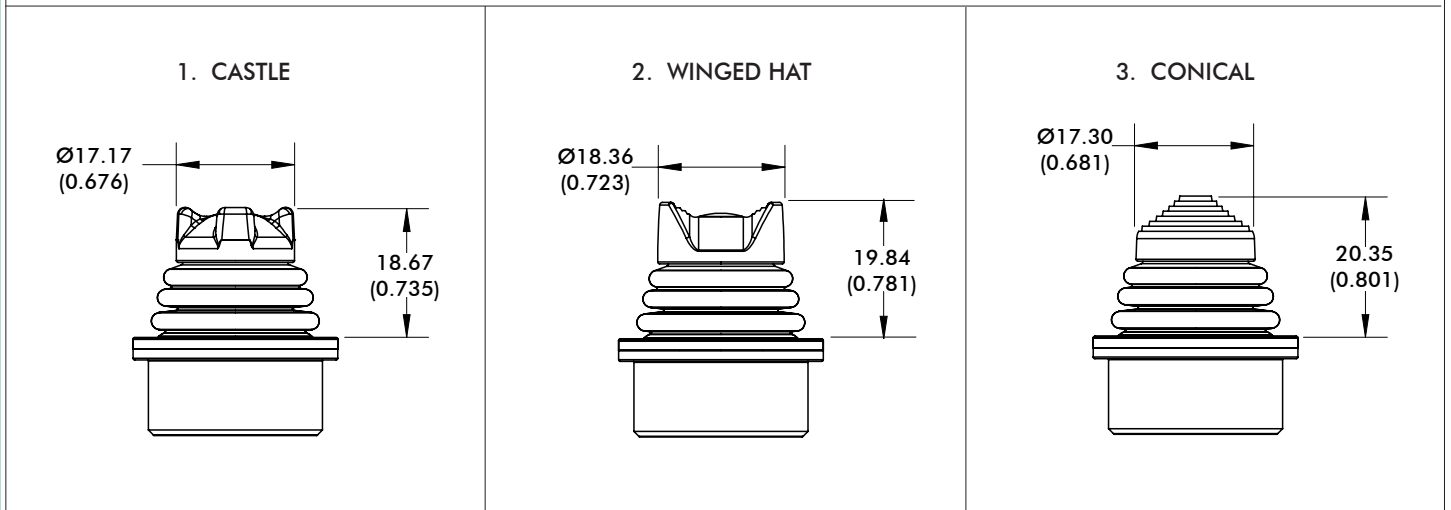
# FR series

## Hall effect 3-position thumb controls

Overview



### HANDLE OPTIONS



NOTE: Dimensions are in mm/(inch).

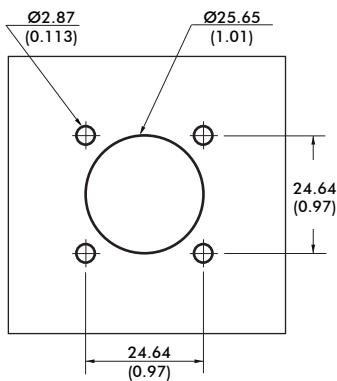
Note: The company reserves the right to change specifications without notice.

# FR series

## Hall effect 3-position thumb controls

Overview

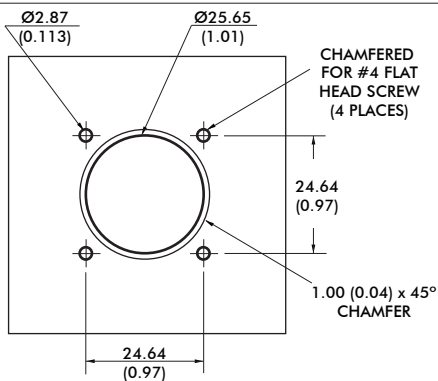
### DROP-IN OPTION CUTOUT DIMENSIONS



4 x PUSH IN CONNECTORS



### REAR MOUNT OPTION CUTOUT DIMENSIONS



4 x 1/2 FH SS PHIL SCREW



#### NOTES:

- 1 The maximum panel thickness for the Rear Mount configuration is 2.032mm/(0.08in).
- 2 The under panel depth for the Drop-in configuration is 16.02mm/(0.631in).
- 3 Dimensions are in mm/(inch).

#### WIRING SPECIFICATION

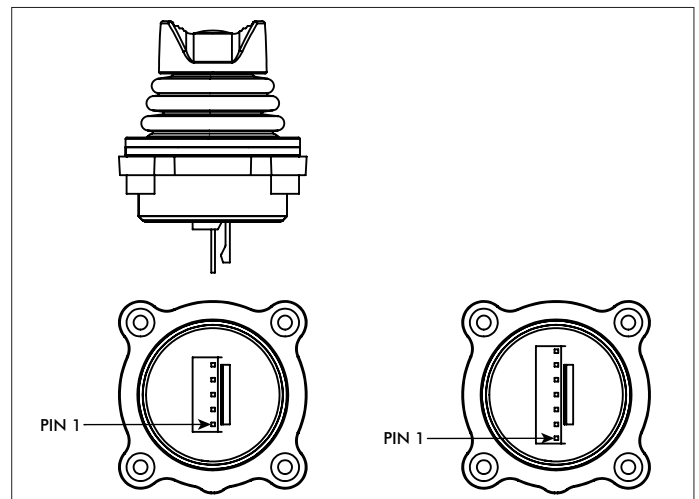
- Black: Ground & button common
- Red: Power (5V)
- Blue: X axis output (alpha)
- Blue/White Stripe: X axis output (beta)
- Red/White Stripe: Power (5V) (beta)
- Black/White Stripe: Ground (beta)

#### CONNECTOR TERMINATION OPTION

Single output configurations feature a five position TE 3-647166-5 connector. Dual output configurations feature a seven position TE 3-647166-7 connector. A mating harness is not included, but may be specified for single output configurations at the time of order for an additional charge. The five function harness is part number 505-499.

#### PINOUT SPECIFICATION

	TE 3-647166-5	TE 3-647166-7
Pin 1	Not used	Not used
Pin 2	5VDC	GND
Pin 3	X (alpha)	X (alpha)
Pin 4	GND	Not used
Pin 5	Not used	Not used
Pin 6	-	5VDC
Pin 7	-	X (beta)



Note: The company reserves the right to change specifications without notice.

## X-ON Electronics

Largest Supplier of Electrical and Electronic Components

*Click to view similar products for [Joysticks](#) category:*

*Click to view products by [Apem](#) manufacturer:*

Other Similar products are found below :

[M11L0A1](#) [C1000C1P](#) [S10L0A1M](#) [G3-A1AM151NNNN](#) [TH500P00D4](#) [C1000C1PMJ0](#) [S10L061J](#) [60C22-M7-4-020S](#) [67A-DF-3C-060C](#)  
[60A00-8-050C](#) [60A00-4-050C](#) [60C22-M7-4-040S](#) [G3-0425](#) [S30L081F50](#) [3440SAT6476](#) [60A18-4-090C](#) [S30L081J](#) [M11L001C](#) [M11L0X1P](#)  
[USBM31Q081RMJ4S](#) [USBC200051JMJS](#) [TW08BLK12](#) [S30L0M1CSJBLK](#) [HF11R11](#) [HG-44MIS000-2654](#) [HG-44MIS000-U-2655](#)  
[4P182F1E55475](#) [TS4A1S00A](#) [BD140D01GR0000](#) [BD150SD4BL1200](#) [3140SAL6475](#) [TW01BLK11](#) [TW01GRY1](#) [ZD4PA203](#)  
[HF44S10UMJ0](#) [TS3N2S00A](#) [TS1R1U00A](#) [TS1R1S09A](#) [TS1D2S00A](#) [HFX45S02](#) [HFX10S00](#) [HF11P11](#) [4R28-2S1E-55-00](#)  
[BD150A01RE0000](#) [BD150D02BK1200](#) [ZD4PA24](#) [ZD4PA22](#) [ZD4PA12](#) [ZD4PA14](#) [J1-00105-S-G](#)