

SPECIFICATIONS

ELECTRICAL

SUPPLY VOLTAGE	5.0V DC
CENTER VOLTAGE	2.5V DC
SUPPLY CURRENT	10mA max/axis
OUTPUT CURRENT	2mA max/axis
EFFECTIVE OUTPUT	0V – 5V DC
OUTPUT TOLERANCE	±2%

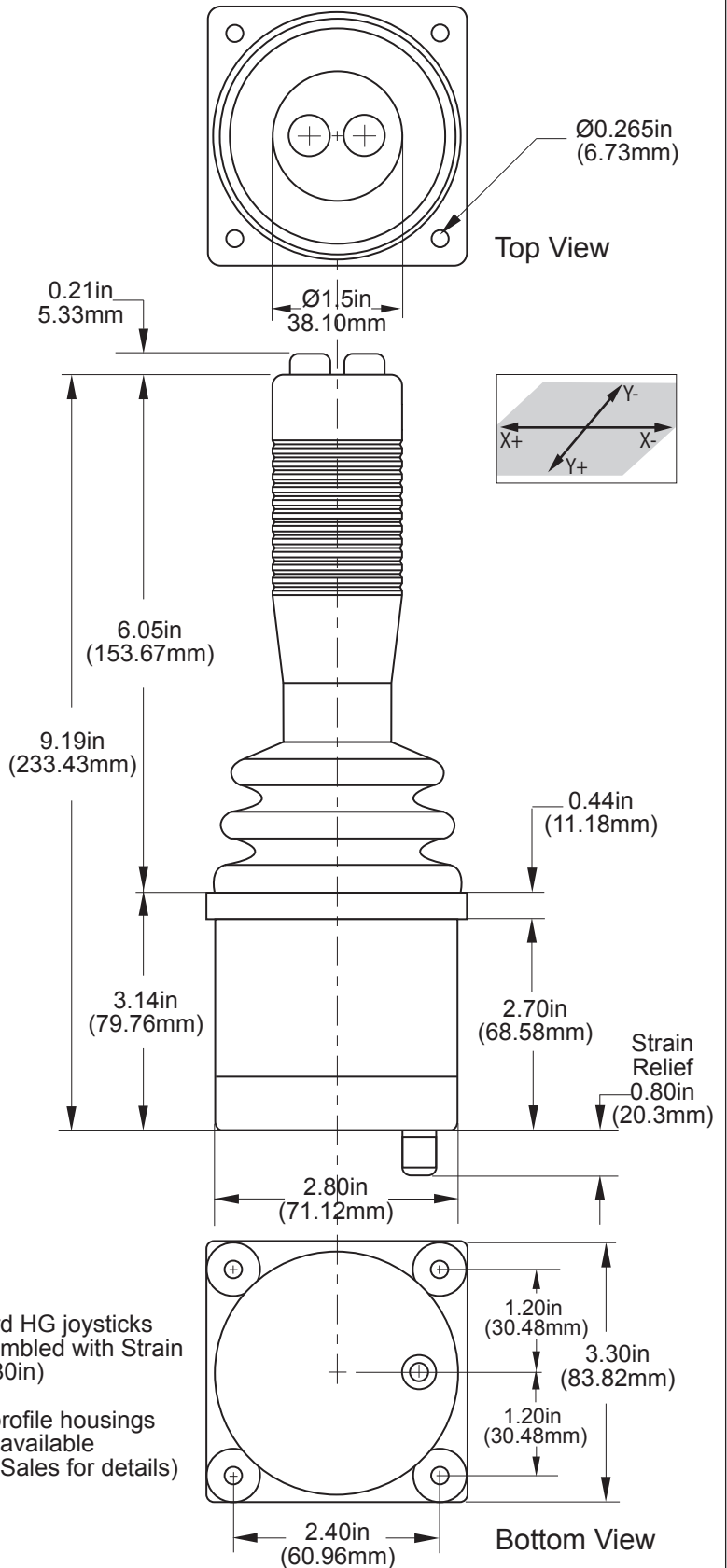
MECHANICAL

OPERATING TRAVEL	38° (19° from center)
CENTERING	Single spring, omnidirectional
BREAKOUT FORCE	1.3Nm
OPERATING FORCE	1.5Nm
MAXIMUM FORCE	1.7Nm
OPERATING TEMP	-40°C to +85°C
LIFE EXPECTANCY	10 million operations

WIRING

RED	Supply voltage
BLACK	Ground
BLUE	X-Axis
YELLOW	Y-Axis
ORANGE	Switch 1
VIOLET	Switch 2
WHITE	Switch common

RoHS compliant



CH
Products

P/N

HG-2120S000

REV
A

DESCRIPTION

Series IV – 2 Axes, Stock Grip, 2 Top Buttons

PROPRIETARY AND CONFIDENTIAL

THE INFORMATION CONTAINED IN THIS DRAWING IS THE SOLE PROPERTY OF CH PRODUCTS. ANY REPRODUCTION IN PART OR AS WHOLE WITHOUT THE WRITTEN PERMISSION OF CH PRODUCTS IS PROHIBITED.

X-ON Electronics

Largest Supplier of Electrical and Electronic Components

Click to view similar products for [apem](#) manufacturer:

Other Similar products are found below :

[48](#) [TW11GRY1](#) [SLB13814](#) [SLC120025](#) [DA04T](#) [Q6F1CXXB24](#) [SLG12004](#) [SLB1281R5](#) [DPL-02](#) [DA08](#) [5D15F1534](#) [M11L0A1M](#)
[M11L0B1M](#) [M21L0E1C](#) [M31L0M1M](#) [CW-A0BK1A00A0](#) [MAB6B](#) [A019101](#) [A019305](#) [A019409](#) [A029301](#) [A1PCA0X106J103](#)
[Q16F1BXXR12E](#) [Q22F1BXXY12E](#) [Q22F1CXXB24E](#) [Q22F1CXXG12E](#) [Q8P1BXXY110E](#) [Q8P3BXXG12E](#) [Q8P7BZZRYG12E](#)
[Q8R3BXXG02E](#) [121442RA](#) [HF-33S10](#) [HF44R11](#) [HF45R10](#) [HFX44S00](#) [DMR10](#) [DSR04T](#) [AV0830C900](#) [AV19810KMZB](#) [MSS22](#)
[BD150A01RE0000](#) [BD150D02BK1200](#) [HS1T24GA](#) [1D09034](#) [1Z03](#) [1ZZ](#) [NZAA0477](#) [NZAA1475](#) [NZAB1475](#) [NZAB1477](#)