

HR series

Proportional Hall effect thumbwheels

Distinctive features and specifications



- 5 million lifecycles (without detent)
- Sealed to IP68
- Backlighting option
- EMI/RFI shielding
- Detent options available
- Patented solution

MECHANICAL

- Operating Force at center:
2N±0.5N (without center detent)
4N±0.5N (with center detent)
- Return spring to center
- Mechanical operating angle:
±35° (versions S/G/L)
±20° (version K)
- Mechanical Life: 5 million cycles (without detent)
- APEM SAS patented design

ENVIRONMENTAL

- Operating Temperature: -30°C to +70°C (-22°F to +158°F)
- Storage Temperature: -40°C to +85°C (-40°F to +185°F)
- Sealing to IP68
- Shock resistance: 50g during 11ms
- Vibration resistance: 10-500Hz
- Salt spray: IEC 512-6, test 11f
- EMI/RF shielding: 100V/m, complies with IEC 61000-4-3 and ISO 11452-2
- ESD: Complies with 16KV EN 61000-4-2

ELECTRICAL

- Sensor type: Hall effect
- Supply voltage: 5VDC ± 0.5V
- Reverse polarity: -10V max
- Overvoltage: +20V max
- Return to center voltage (no load): ±0.2V
- Consumption: 11 mA max (single output), 22mA max (dual output)
- LED supply: 6VDC 10mA

MATERIALS

- Wheel: polyamide with coloring
- Support: polyamide, black
- Electronics sealing: epoxy
- Connector: polyester (Molex 0510210700)
- Multiwire lead: AWG28

NOTES:



Mounting accessories.
Standard hardware includes: 2 self-tapping screws DELTA PT® 22x08 for plastic



Notice: Not all part number combinations may be available.
Please refer to the following pages for further information.

Packaging: Product is available as 20 pieces per package.



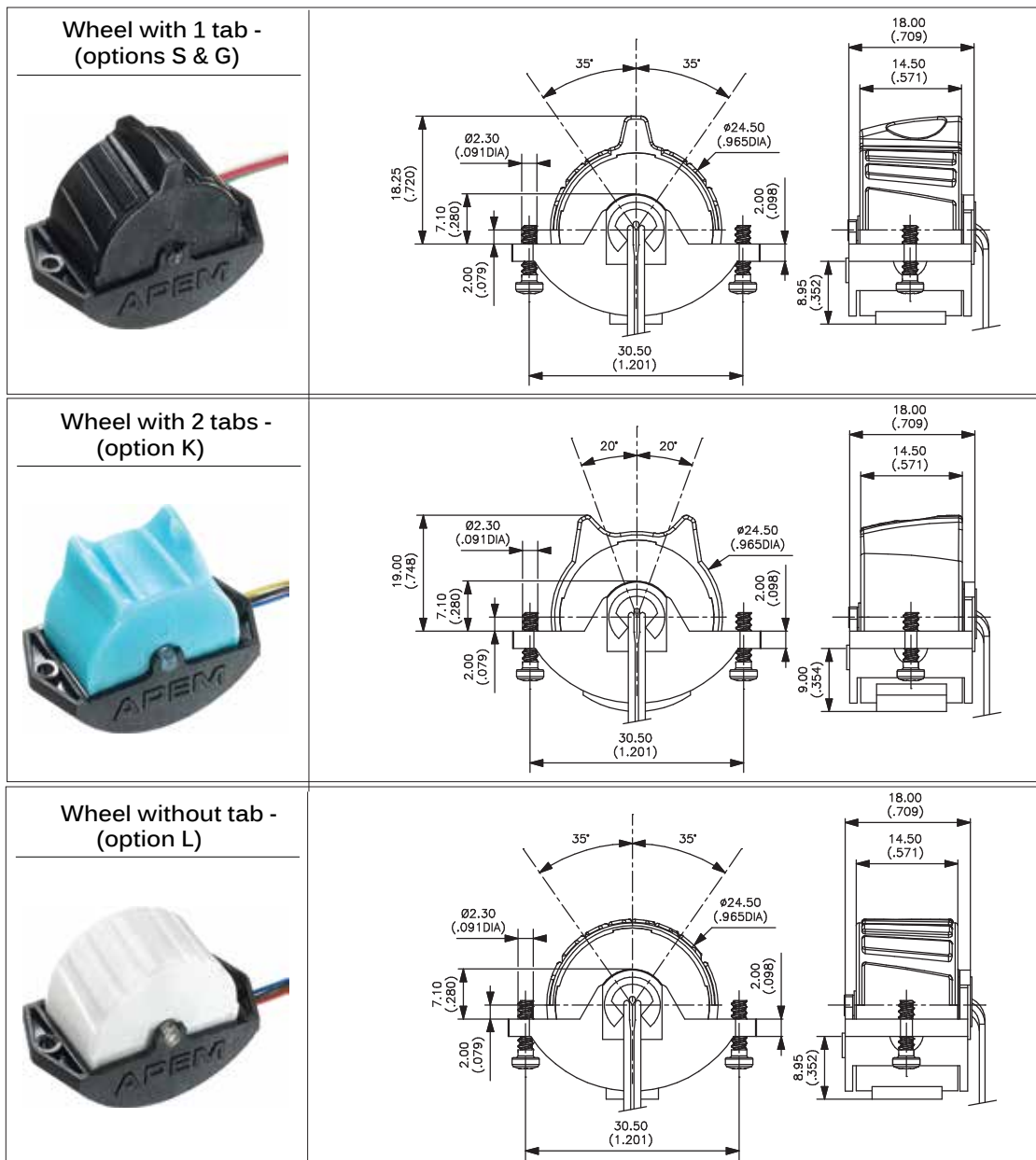
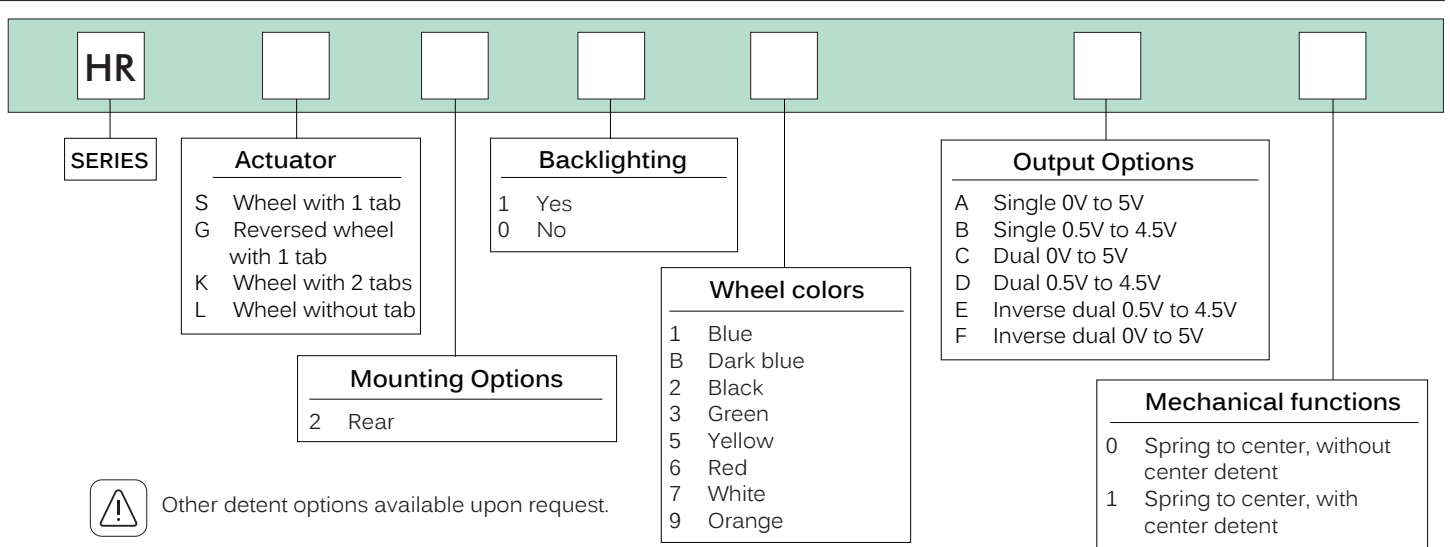
Tolerance: General tolerance for dimensions is ± 0.3 (.012).

Dimensions: First dimensions listed are in mm while inches are shown in brackets.

HR series

Proportional Hall effect thumbwheels

Actuator options and dimensions



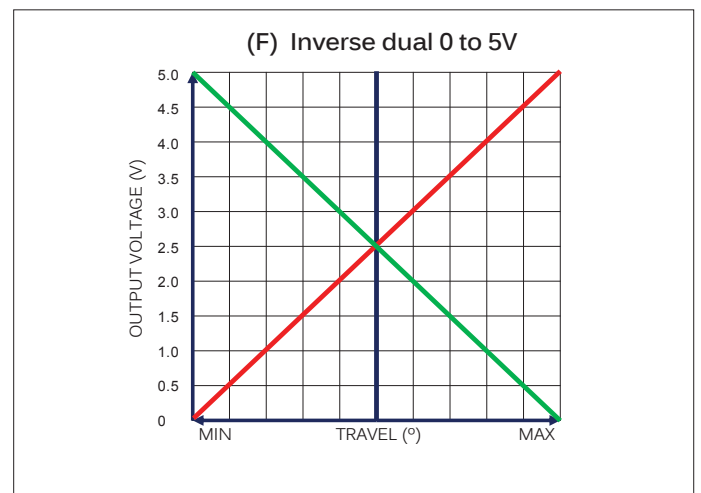
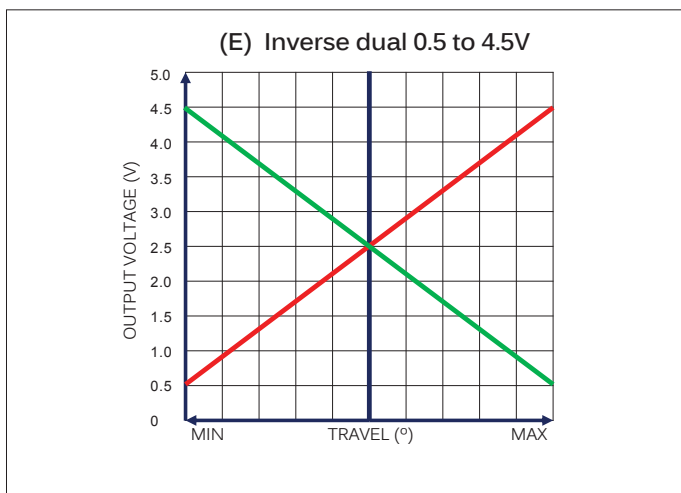
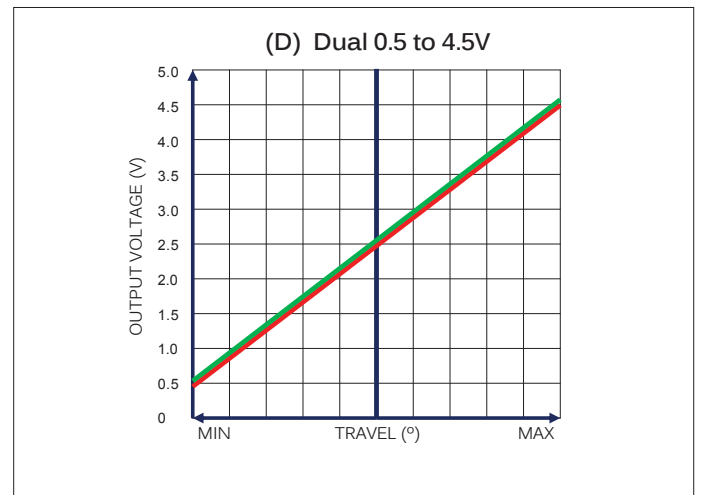
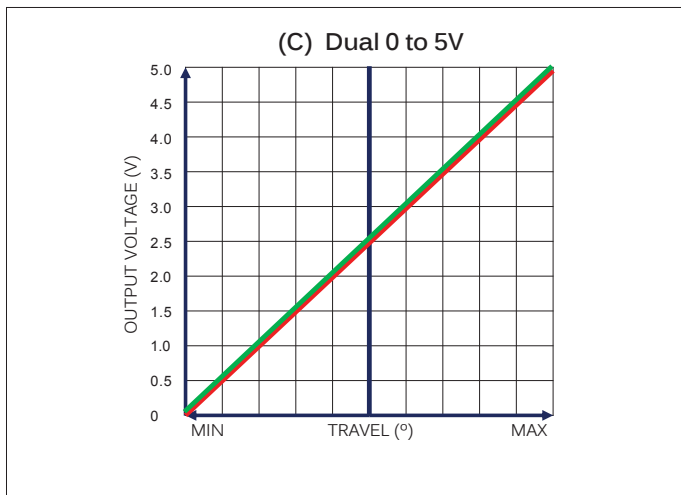
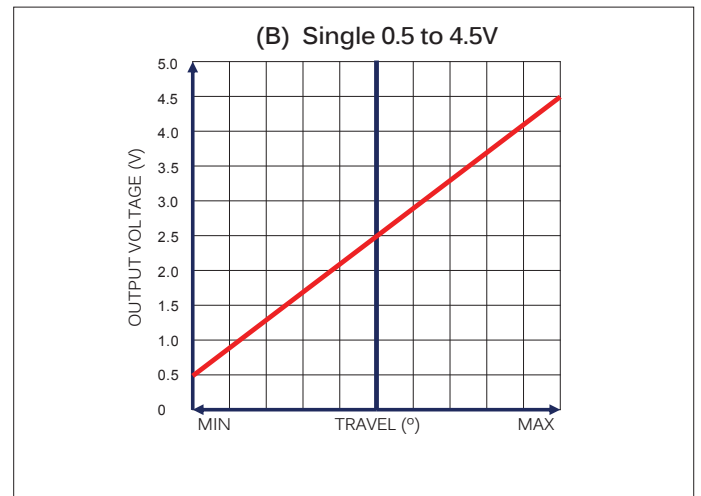
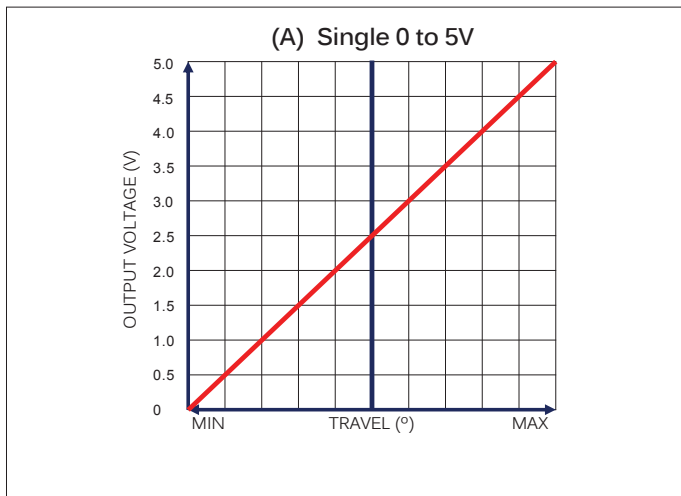
NOTE: Dimensions are in mm/(inch).

Note: The company reserves the right to change specifications without notice.

HR series

Proportional Hall effect thumbwheels

Linear output options



— output 1
— output 2

NOTE:

Output voltage cannot be superior to the power supply voltage. For 0 to 5V versions, the power supply should not be lower than 5V.

HR series

Proportional Hall effect thumbwheels

Connections

Single output without backlighting

Pin	Function	Color
1		
2	Power supply: +VDC 5V	Red
3		
4		
5		
6	Output	
7	Ground 0V	Black

Single output with backlighting

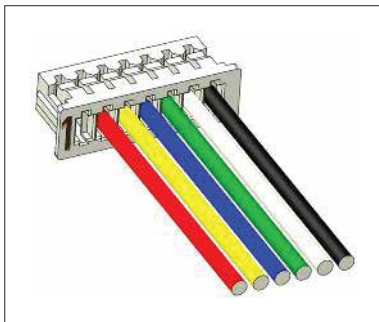
Pin	Function	Color
1		
2	Power supply: +VDC 5V	Red
3		
4		
5		
6	Output	
7	Ground 0V	Black

Dual output without backlighting

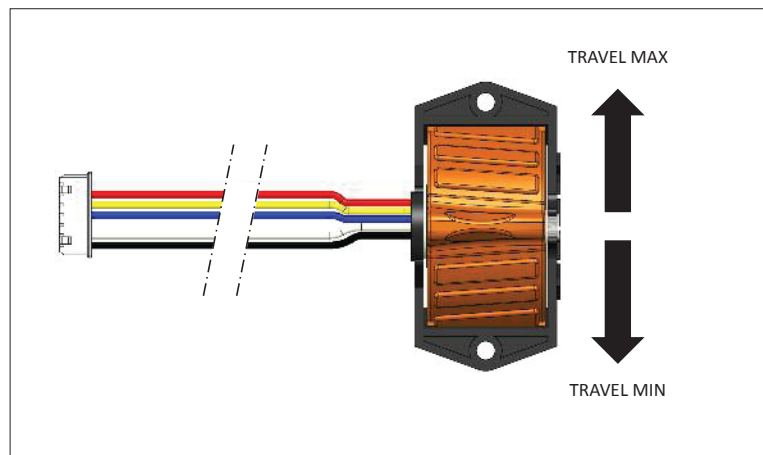
Pin	Function	Color
1		
2	Power supply: +VDC 5V	Red
3		
4		
5	Output 2	Green
6	Output 1	White
7	Ground 0V	Black

Dual output with backlighting

Pin	Function	Color
1		
2	Power supply: +VDC 5V	Red
3	LED +	Yellow
4	LED -	Blue
5	Output 2	Green
6	Output 1	White
7	Ground 0V	Black



Wiring harness with multiwire lead
AWG28 - Length 140mm (5.51in)



X-ON Electronics

Largest Supplier of Electrical and Electronic Components

Click to view similar products for [Joysticks](#) category:

Click to view products by [Apem](#) manufacturer:

Other Similar products are found below :

[M11L0A1](#) [C1000C1P](#) [S10L0A1M](#) [G3-A1AM151NNNN](#) [TH500P00D4](#) [C1000C1PMJ0](#) [S10L061J](#) [60C22-M7-4-020S](#) [67A-DF-3C-060C](#)
[60A00-8-050C](#) [60A00-4-050C](#) [60C22-M7-4-040S](#) [G3-0425](#) [S30L081F50](#) [3440SAT6476](#) [60A18-4-090C](#) [S30L081J](#) [M11L001C](#) [M11L0X1P](#)
[USBM31Q081RMJ4S](#) [USBC200051JMJS](#) [TW08BLK12](#) [S30L0M1CSJBLK](#) [HF11R11](#) [HG-44MIS000-2654](#) [HG-44MIS000-U-2655](#)
[4P182F1E55475](#) [TS4A1S00A](#) [BD140D01GR0000](#) [BD150SD4BL1200](#) [3140SAL6475](#) [TW01BLK11](#) [TW01GRY1](#) [ZD4PA203](#)
[HF44S10UMJ0](#) [TS3N2S00A](#) [TS1R1U00A](#) [TS1R1S09A](#) [TS1D2S00A](#) [HFX45S02](#) [HFX10S00](#) [HF11P11](#) [4R28-2S1E-55-00](#)
[BD150A01RE0000](#) [BD150D02BK1200](#) [ZD4PA24](#) [ZD4PA22](#) [ZD4PA12](#) [ZD4PA14](#) [J1-00105-S-G](#)