

HR series

Proportional single axis thumb controls •
non-contacting Hall effect technology • spring to center



DISTINCTIVE FEATURES

- Single or dual analog outputs
- Backlighting option
- 5 million lifecycles (without detent)
- Electronics sealed to IP68
- SIL2 capable



ENVIRONMENTAL SPECIFICATIONS

- Operating Temperature: -30 °C to +70 °C (-22 °F to +158 °F)
- Storage Temperature: -40 °C to +85 °C (-40 °F to +185 °F°)
- Electronics sealed to IP68 according IEC 60529
- EMC Immunity Level: EN61000-4-3 and ISO 11452-2 (100 V/m)
- EMC Emissions Level: EN61000-6-3: 2001
- ESD: 16KV according to EN61000-4-2
- Shock resistance : 50 g during 11 ms
- Vibration resistance : 10-500Hz - 5g according to IEC 512-4, test 6d
- Salt spray : IEC 512-6, test 11f



ELECTRICAL SPECIFICATIONS

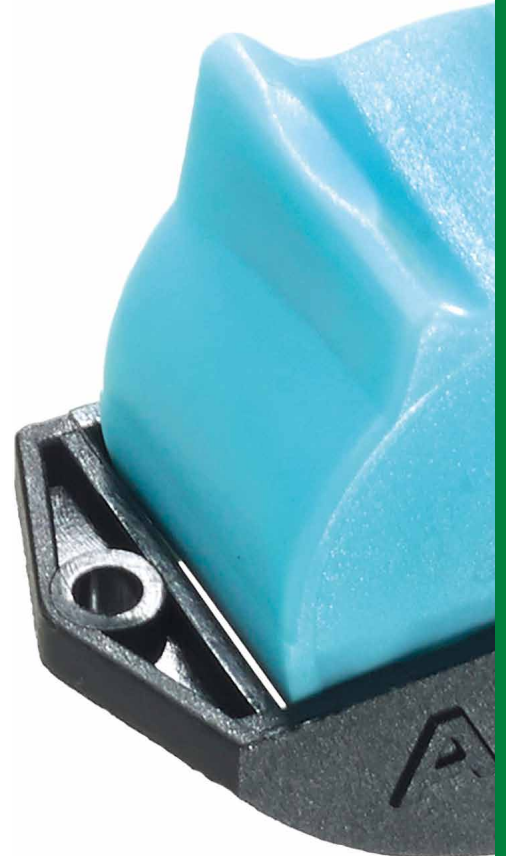
- Supply Voltage Range: 5 VDC \pm 0.50 VDC
- Reverse Polarity Max: -10 VDC max
- Overvoltage Max: 20 V
- Consumption: 11 mA max (single output), 22 mA max (dual output)
- Return to Center Voltage Tolerance (no load): 2.5 VDC \pm 0.2 VDC
- LED supply : 6 VDC 10 mA



GENERAL SPECIFICATIONS

- APEM SAS patented design
- Operating Force: 4 N \pm 0.5N (with detent); 2 N \pm 0.5 N (without detent)
- Mechanical Angle of Movement: \pm 35° (versions S/G/L); \pm 20° (version K)
- Expected Life : 5 million lifecycles
- Mass/Weight : 11 g \pm 2 g (0.4 oz \pm 0.07 oz)

The company reserves the right to change specifications without notice.



HR series

Proportional single axis thumb controls •
non-contacting Hall effect technology • spring to center

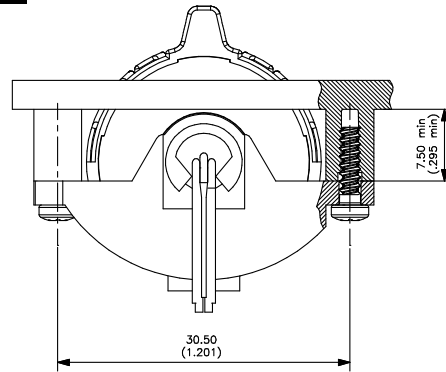


MATERIALS

- Body: Polyamide
- Wheel: Polyamide
- Electronics sealing : epoxy
- Connector : polyester (Molex 0510210700)
- Multiwire lead AWG28



MOUNTING



CONNECTIONS

SINGLE OUTPUT WITHOUT BACKLIGHTING

PIN	FUNCTION	COLOR
1		
2	Power supply: +VDC 5 V	Red
3		
4		
5		
6	Output	
7	Ground 0V	Black

SINGLE OUTPUT WITH BACKLIGHTING

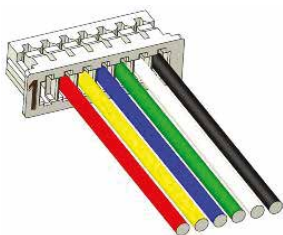
PIN	FUNCTION	COLOR
1		
2	Power supply: +VDC 5 V	Red
3	LED +	Yellow
4	LED -	Blue
5		
6	Output	White
7	Ground 0 V	Black

DUAL OUTPUT WITHOUT BACKLIGHTING

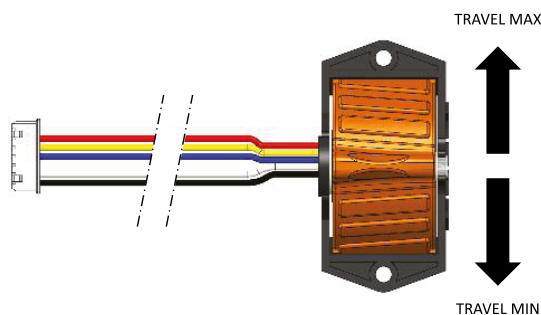
PIN	FUNCTION	COLOR
1		
2	Power supply: +VDC 5 V	Red
3		
4		
5	Output 2	Green
6	Output 1	White
7	Ground 0 V	Black

DUAL OUTPUT WITH BACKLIGHTING

PIN	FUNCTION	COLOR
1		
2	Power supply: +VDC 5 V	Red
3	LED +	Yellow
4	LED -	Blue
5	Output 2	Green
6	Output 1	White
7	Ground 0 V	Black



Wiring harness with multiwire leads
AWG28 - Length 140mm (5.51in)



Proportional single axis thumb controls • non-contacting Hall effect technology • spring to center



BUILD YOUR PART NUMBER



ABOUT THIS SERIES

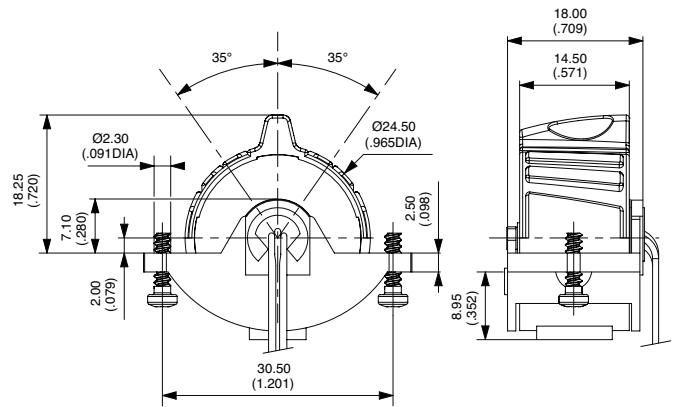


Mounting accessories : Standard hardware supplied : 2 self-tapping screws DELTA PT® 22x08 for plastic..

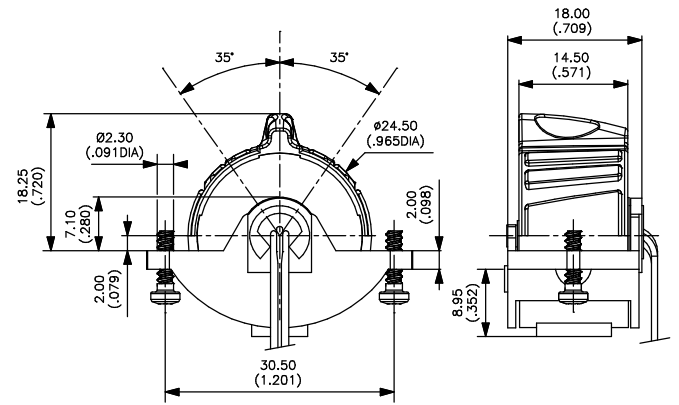
HR series

Proportional single axis thumb controls •
non-contacting Hall effect technology • spring to center

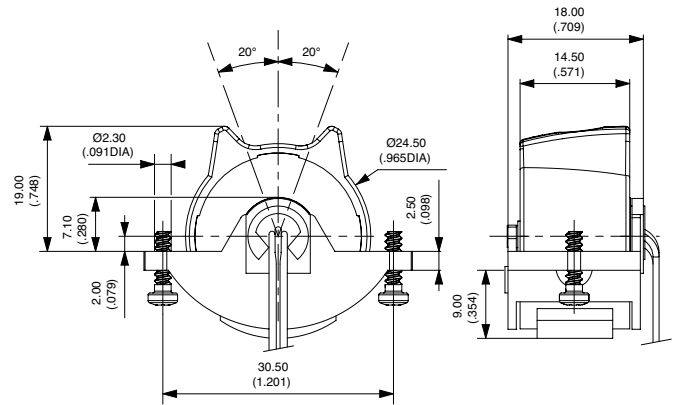
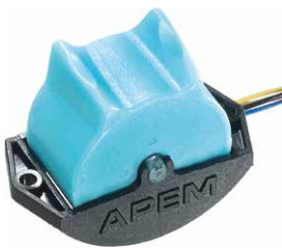
WHEEL WITH 1 TAB - OPTION S



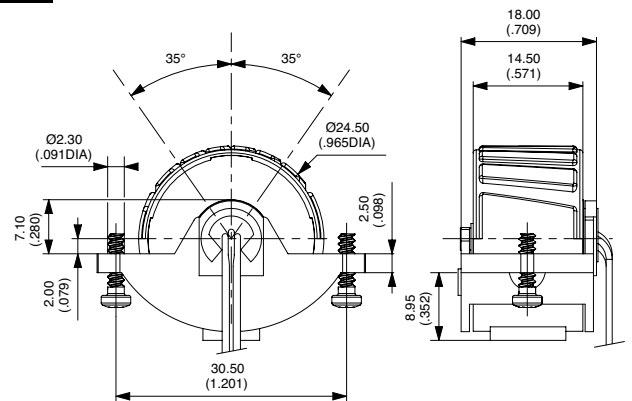
REVERSED WHEEL WITH 1 TAB - OPTION G



WHEEL WITH 2 TABS - OPTION K

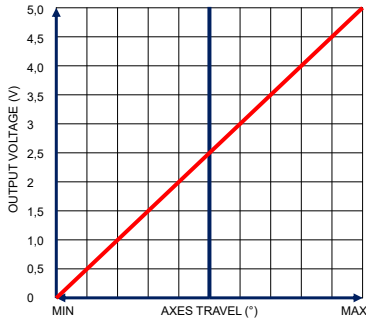


WHEEL WITHOUT TAB - OPTION L

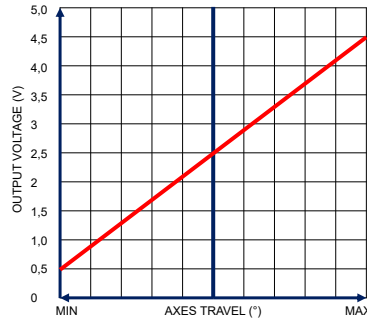


Proportional single axis thumb controls • non-contacting Hall effect technology • spring to center

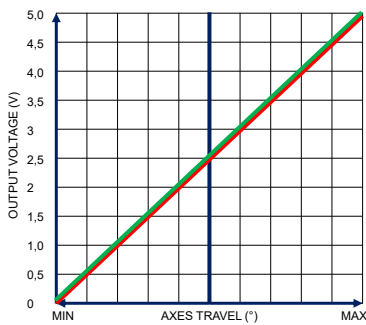
VOLTAGE OUTPUT OPTIONS



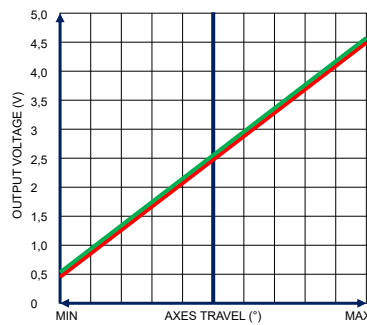
A Single 0 V to 5 V



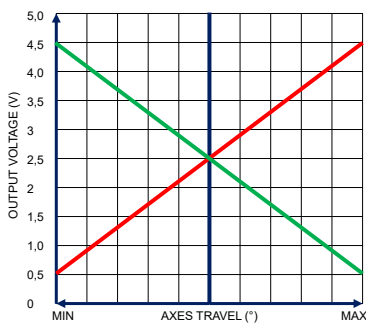
B Single 0.5 V to 4.5 V



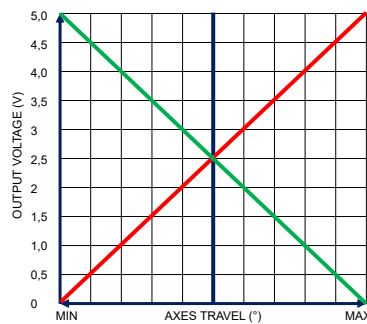
C Dual 0 V to 5 V



D Dual 0.5 V to 4.5 V



E Inverse dual 0.5 V to 4.5 V



F Inverse dual 0 V to 5 V

Note: The output voltage cannot be superior to the power supply voltage. For 0 V to 5 V versions, the power supply should not be lower than 5 V.

X-ON Electronics

Largest Supplier of Electrical and Electronic Components

Click to view similar products for [Joysticks](#) category:

Click to view products by [Apem](#) manufacturer:

Other Similar products are found below :

[M11L0A1](#) [C1000C1P](#) [S10L0A1M](#) [G3-A1AM151NNNN](#) [TH500P00D4](#) [C1000C1PMJ0](#) [S10L061J](#) [60C22-M7-4-020S](#) [67A-DF-3C-060C](#)
[60A00-8-050C](#) [60A00-4-050C](#) [60C22-M7-4-040S](#) [G3-0425](#) [S30L081F50](#) [3440SAT6476](#) [60A18-4-090C](#) [S30L081J](#) [M11L001C](#) [M11L0X1P](#)
[USBM31Q081RMJ4S](#) [USBC200051JMJS](#) [TW08BLK12](#) [S30L0M1CSJBLK](#) [HF11R11](#) [HG-44MIS000-2654](#) [HG-44MIS000-U-2655](#)
[4P182F1E55475](#) [TS4A1S00A](#) [BD140D01GR0000](#) [BD150SD4BL1200](#) [3140SAL6475](#) [TW01BLK11](#) [TW01GRY1](#) [ZD4PA203](#)
[HF44S10UMJ0](#) [TS3N2S00A](#) [TS1R1U00A](#) [TS1R1S09A](#) [TS1D2S00A](#) [HFX45S02](#) [HFX10S00](#) [HF11P11](#) [4R28-2S1E-55-00](#)
[BD150A01RE0000](#) [BD150D02BK1200](#) [ZD4PA24](#) [ZD4PA22](#) [ZD4PA12](#) [ZD4PA14](#) [J1-00105-S-G](#)