

IF series

Sealed pushbutton switches
with \varnothing 25 mm actuator • bushing dia. 16 mm



DISTINCTIVE FEATURES

- Can be operated with gloved hands
- Snap-in and threaded bushing models
- Resistant to frost
- Sealed to IP54 or IP67



ENVIRONMENTAL SPECIFICATIONS

- Front panel sealing (switches mounted on panel) :
 - IP67 (threaded bushing models)
 - IP54 (snap-in models)
- Operating temperature : -20 °C to +85 °C (-4 °F to +185 °F)



ELECTRICAL SPECIFICATIONS

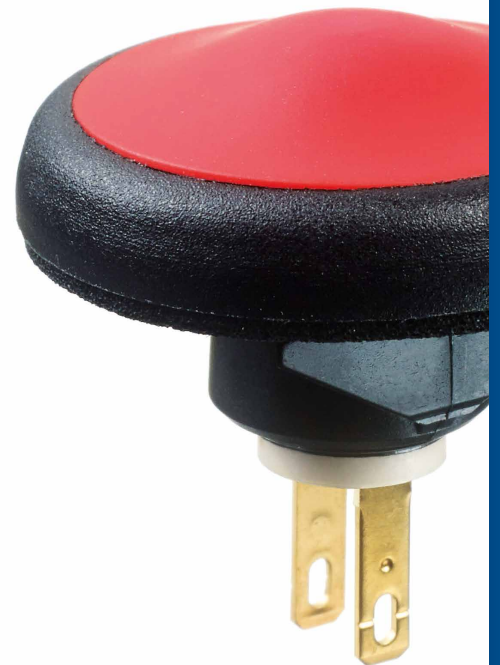
- Max. current/voltage rating with resistive load :
 - 400 mA 32 VAC - 100 mA 48 VDC
- Initial contact resistance : 50 m Ω max.
- Insulation resistance : 1 G Ω min. at 500 VDC
- Dielectric strength : 1,000 VAC rms. between terminals and frame
1,500 VAC between terminals
- Electrical life at full load : 500,000 cycles



GENERAL SPECIFICATIONS

- Panel thickness :
 - Snap-in models : 0.8 mm (.031) min. - 2.5 mm (.098) max.
 - Threaded bushing models : 0.8 mm (.031) min. - 5 mm (.196) max.
- Total travel : 4 mm (.157)
- Typical operating force : 6.5 N \pm 2 N
- Low level or mechanical life : 1,000,000 cycles
- Torque : 1.5 Nm max. applied to nut
- Soldering : 320 °C (608 °F) max. for 3 seconds

The company reserves the right to change specifications without notice.



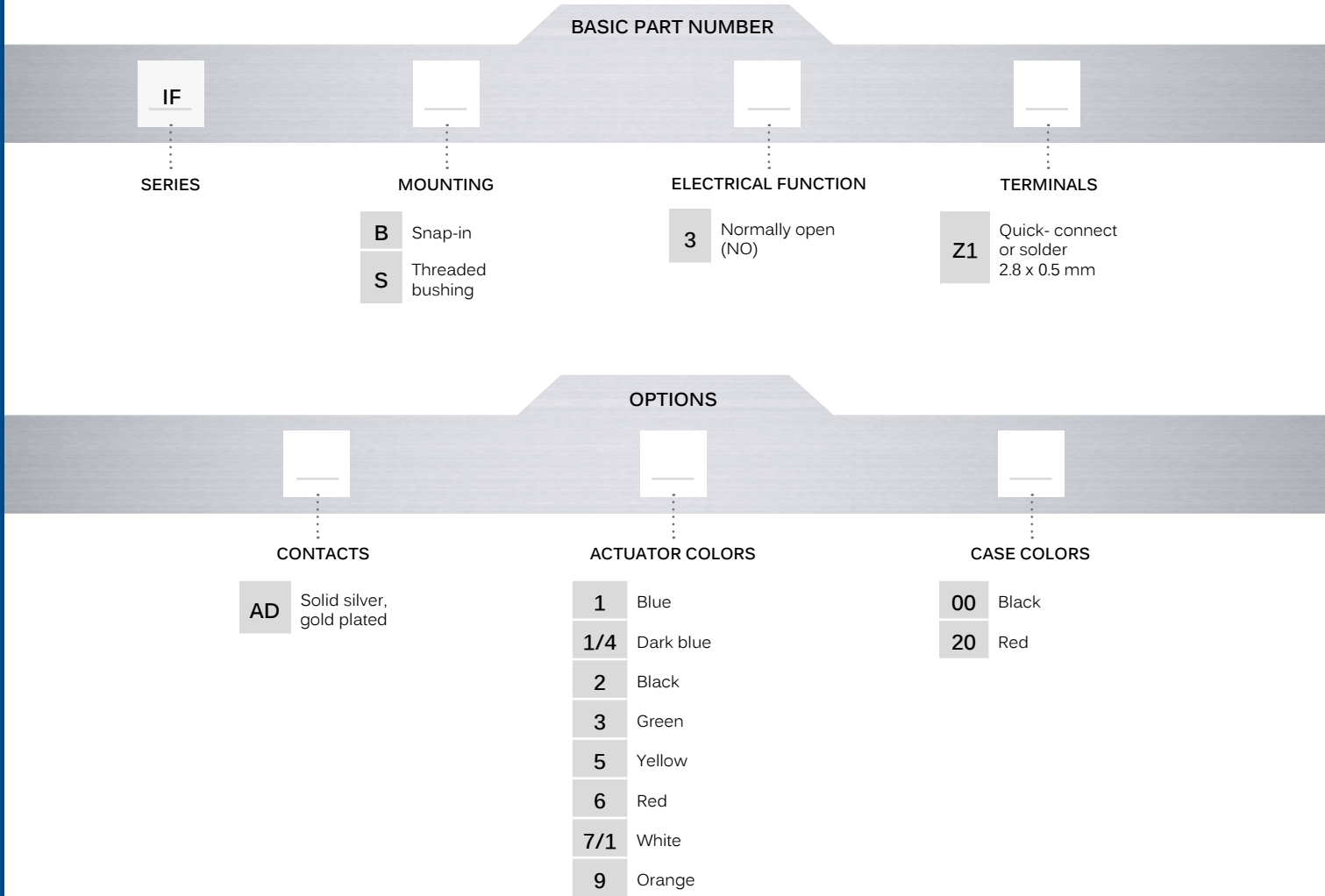
MATERIALS

- Case : thermoplastic UL94-V0
- Actuator : polyamide 12, rubber filled
- Bushing/bezel : polyamide 6/6
- Contacts : solid silver, gold plated
- Terminal seal : epoxy

IF series

Sealed pushbutton switches
with Ø 25 mm actuator • bushing dia. 16 mm

BUILD YOUR PART NUMBER

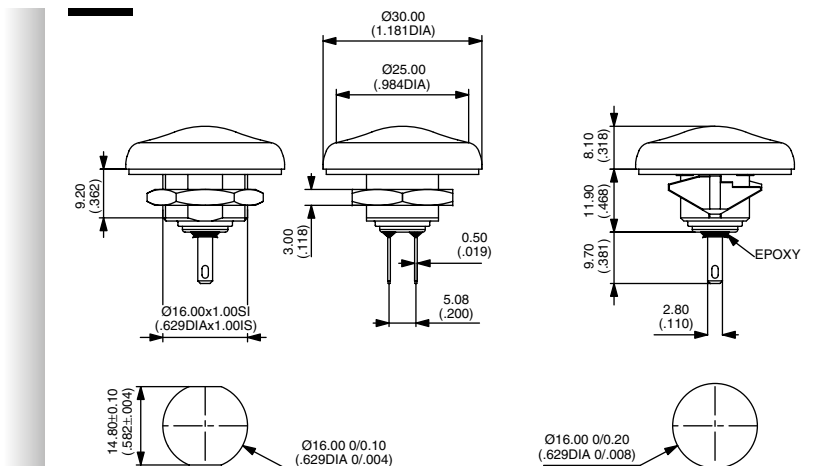
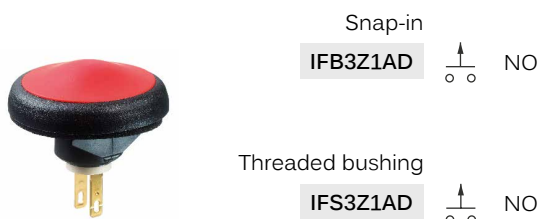


Grey RAL7040 : on request

ABOUT THIS SERIES

Mounting accessories : Standard hardware supplied : 1 flat seal (IFB series), 1 flat seal and 1 hex nut 19 mm (.748) across flats (IFS series) . Hex nut part number : 10-621.

MODELS



X-ON Electronics

Largest Supplier of Electrical and Electronic Components

Click to view similar products for [Pushbutton Switches](#) category:

Click to view products by [Apem](#) manufacturer:

Other Similar products are found below :

[8940K2012](#) [LW1L-M1C10V-A](#) [LW1L-M1C70-A](#) [LW2L-A1C20M-GD](#) [LW2L-M1C20M-A](#) [60324L](#) [M22-D-R-GB0/K11](#) [M7E-HRN2](#)
[67021K512](#) [67081K512X](#) [701PB580](#) [7190K101](#) [7199K101](#) [810K12910](#) [810KSV30B](#) [MML21EA2ADK](#) [MML21KA3ABK](#)
[MML23KA3AC05K-001](#) [MML23KW3AA01W](#) [8418K2](#) [8442K3](#) [8450K1](#) [860K11911T01A](#) [861901](#) [861K11911T01A07](#)
[861K13810T00A14](#) [861K13911](#) [8646AB6X718UL](#) [8646ABUL](#) [9001KXRK](#) [907AYY100](#) [PMHD155A1](#) [95-313.000](#)
[9533CD4+U574+U4922](#) [95-414.000](#) [99-450.837](#) [99-453.837](#) [PV3H2B0NN-341](#) [1203MRA](#) [A22NZBGANGA](#) [A22NZBMMNGA](#)
[A22NZBNANGA](#) [A22NZMPATRA](#) [A2PMA1X03EC56](#) [A3A-5123-02](#) [A3A-7140](#) [A3A-7310](#) [A3A-7340](#) [A3U-TMW-A2C-5M](#) [A595](#)