

IKN series

Surface mount and through-hole • low profile •
dual in line switches



DISTINCTIVE FEATURES

Low profile

Wide operating temperature range

Self-cleaning wiping contacts

Tin plated terminals



ENVIRONMENTAL SPECIFICATIONS

- Operating temperature : -40 °C to +100 °C (-40 °F to 212 °F)
- Storage temperature : -40 °C to +125 °C (-40 °F to 257 °F)



ELECTRICAL SPECIFICATIONS

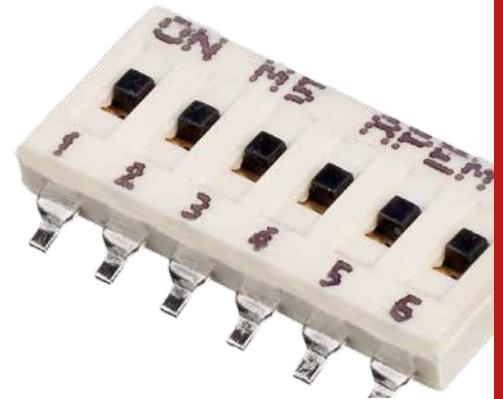
- Max. current/voltage rating :
 - switching : 100 mA 24 VDC
 - non-switching : 100 mA 48 VDC
- Contact resistance :
 - initial : 30 mΩ max.
 - after 2,000 cycles : 100 mΩ max.
- Insulation resistance : 1,000 MΩ min. at 500 VDC
- Dielectric strength : 500 VAC min.
- Electrical life : 2,000 cycles
- Travel : 0.67 mm (.026)



MATERIALS

- Case and actuator : UL 94-V0 thermoplastic
- Stationary contact : bronze, gold plated over nickel barrier
- Moving contact : beryllium copper, gold plated
- Terminals : tin plated over nickel barrier
- Protection tape : polyimide

The company reserves the right to change specifications without notice.



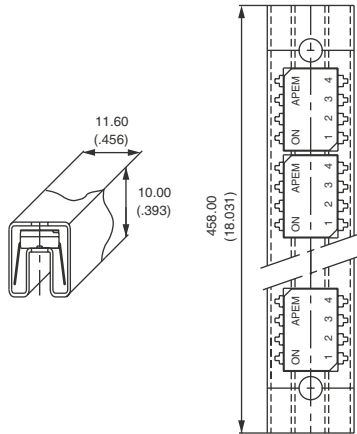
IKN series

Surface mount and through-hole • low profile • dual in line switches



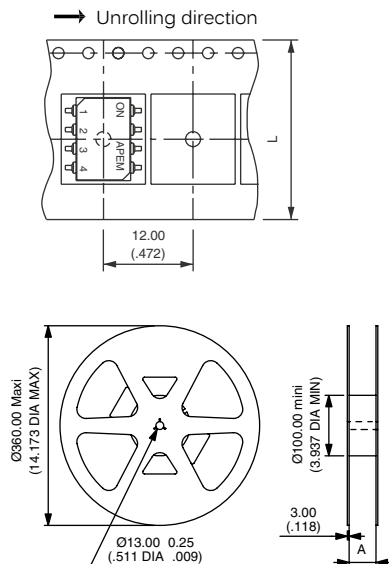
PACKAGING

IC TUBE



Number of ways	Qty per tube
2	88 pcs
4	48 pcs
6	33 pcs
8	25 pcs

TAPE AND REEL



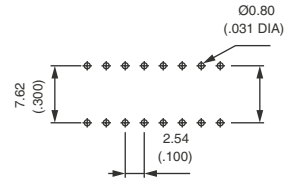
Number of ways	Tape dim. "L"	Reel dim. "A"
2	16 (.629)	16.40 (.646)
4	24 (.944)	24.40 (.960)
6	24 (.944)	24.40 (.960)
8	32 (1.259)	32.40 (1.275)

Standard packaging unit : 1,000 pieces

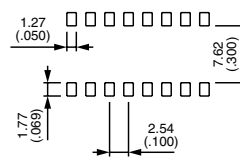


PCB LAYOUT

THROUGH-HOLE



SURFACE MOUNT



Surface mount and through-hole • low profile • dual in line switches

BUILD YOUR PART NUMBER

IKN

SERIES

NUMBER OF WAYS

MODEL TYPE

TAPE SEAL

- 02** Two way
- 04** Four way
- 06** Six way
- 08** Eight way

Other models
(3, 5 and 7 ways) : on request

- 000** Through-hole IC tubes
- 030** SMT IC tubes
- 040** SMT tape and reel

- 00** Top tape seal

THROUGH-HOLE



Number of Poles	Dimension "A"
2	6 (.236)
4	11.10 (.437)
6	16.20 (.637)
8	21.30 (.838)

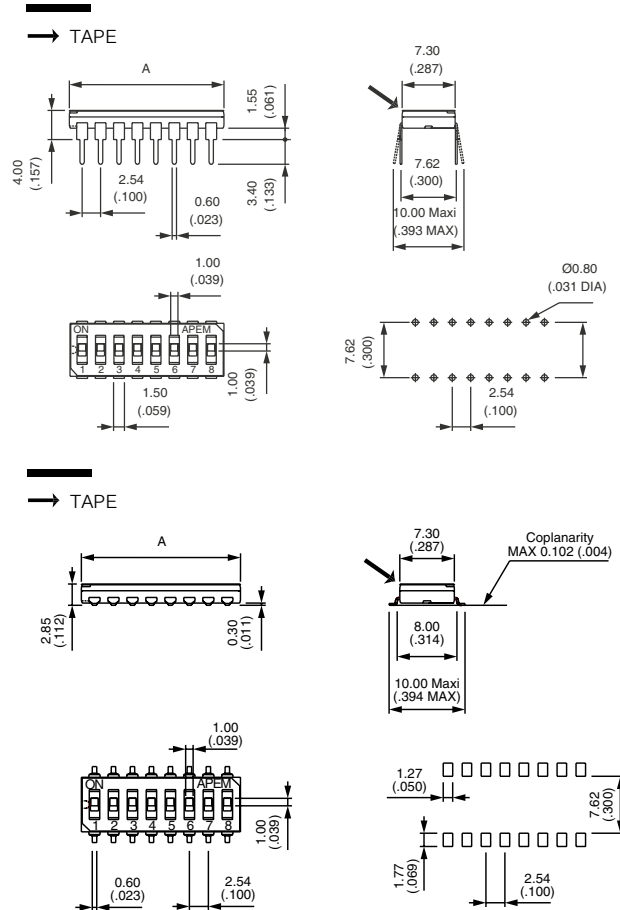
Supplied with all poles in "ON" position.

SURFACE MOUNT



Number of Poles	Dimension "A"
2	6 (.236)
4	11.10 (.437)
6	16.20 (.637)
8	21.30 (.838)

Supplied with all poles in "ON" position.



X-ON Electronics

Largest Supplier of Electrical and Electronic Components

Click to view similar products for [DIP Switches/SIP Switches](#) category:

Click to view products by [Apem](#) manufacturer:

Other Similar products are found below :

[78M03S](#) [79B10T](#) [8136-475G4T](#) [G7G-1A2-CB-DC12](#) [H7CZL8AC100240](#) [A7SS-M](#) [A8CA-201](#) [DRR60016](#) [DRS4016](#) [1825008-1](#) [1825444-1](#) [25.350.0653.0](#) [SBS 5004 TG](#) [SDA10H1BDA](#) [97R06ST](#) [A2C-2A5](#) [1825444-7](#) [ADE08SA04](#) [ADE12S04](#) [192960010](#) [2-1825058-8](#) [25.330.0653.1](#) [25.352.0353.0](#) [CXDRIVEV2X](#) [IKN0600000](#) [IKN0800000](#) [LA2-002-DC24](#) [DBS1003](#) [438872000](#) [DRD10CRAE04](#) [DSR02T](#) [DSS 208 N](#) [E2FMX2D1M1TGJ03M](#) [NDI10H](#) [219-9MSTP](#) [EPM02FV](#) [701521596](#) [NDS08V](#) [76SB05](#) [79A10](#) [TD06H0SK1](#) [Z7.255.9027.0](#) [1-1825058-3](#) [1825428-4](#) [206-8ST-ON](#) [219-10LPSTF](#) [E3ZG6111D03M](#) [G4D212PUSTV2DC5](#) [NDI05H](#) [EPG301BT06](#)