

TOLERANCE GENERALE: ±0.3
±1°



SPECIFICATIONS

• CONSTRUCTION

Joystick handle equipped with a pushbutton and a cable.

• MATERIALS

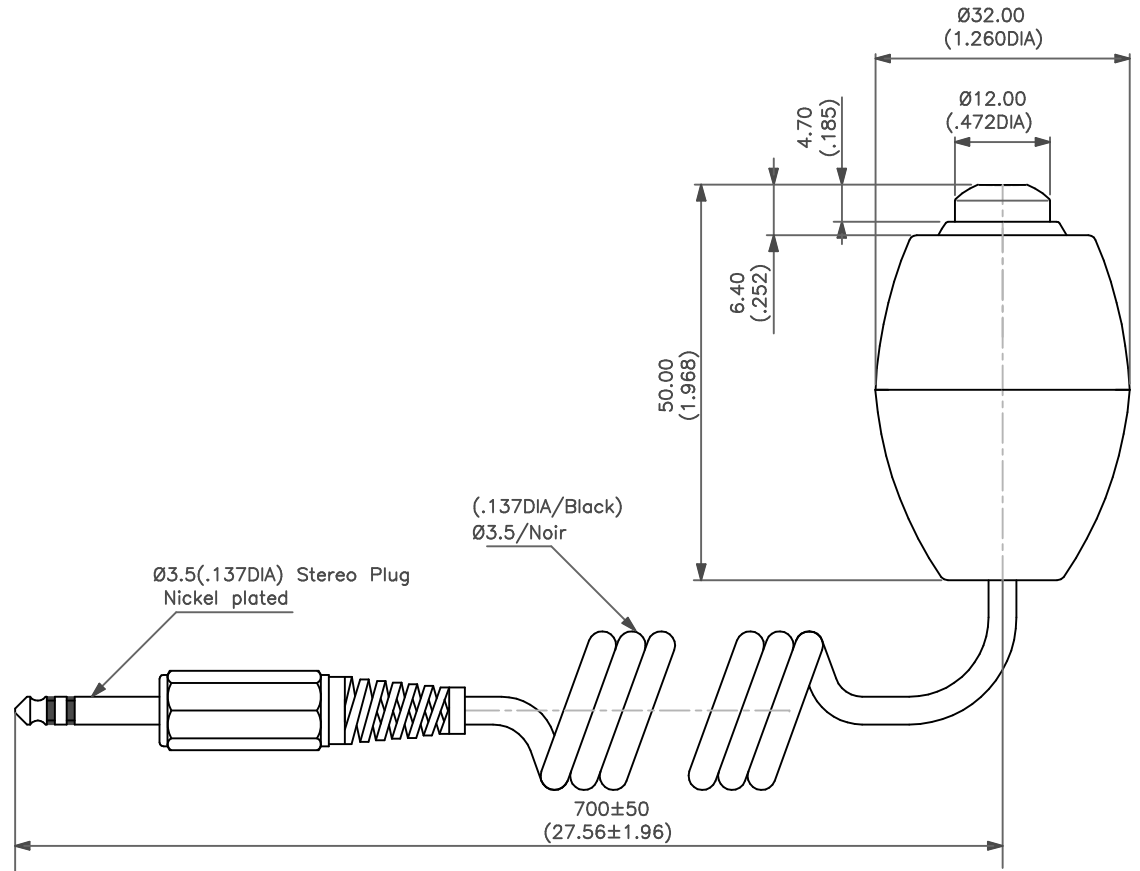
Case : Pa-6T UL94-V0
 Plunger : Pa 6.6
 Bushing/Collar : Pa 6.6
 Sealing membrane : Silicone elastomer
 Contacts : Silver, gold plated
 Terminal seal : Epoxy



• ELECTRICAL CHARACTERISTICS

Electrical function : Normally open (NO)
 Maximum ratings : 400mA 32VAC - 100mA 50VDC
 Electrical life : 500 000 cycles
 Contact resistance : 50 milliohms Max
 Insulation resistance : 1 Gigaohms min - 500 VDC
 Dielectric strength : 1000 VAC rms 50Hz

• MECHANICAL AND ENVIRONMENTAL CHARACTERISTICS

Degree of protection : IP67
 Temperature range : -40°C to +85°C
 Total travel : 1.5mm(.059)
 Operating force : 3 ±1N
 Mechanical life : 1.000.000 cycles



| | | | | | | | |
|------|---|----------|--------|---------------------------------|---|--|--------------------|
| | | | | MATIERE: | |  APEM Unité INTERRUPTEURS | DESSINE: F.Ricard |
| | | | | TRAITEMENT: | | | DATE : 24-07-2007 |
| | | | | PROTECTION: | | | VERIFIE: D.Sire |
| D | Suppression dans spec Front panel sealing | 12.9.08 | Ricard | ECH: 3/2 |  | 55,av E.HERRIOT BP 1 82303 CAUSSADE CEDEX TEL.05.63.93.14.98 - Télécopie.05.63.93.19.03 | Réf.Plan DIP238S |
| C | Ajout specs. technl. | 19.5.08 | Ricard | Pendant Switch ISR3SAD200107 | | | Code Art. |
| B | Mise à jour P/N | 15.04.08 | Ricard | | | | |
| A | Codification série Projet D071P011 en ISR3SAD200107 | 7.01.08 | Ricard | | | | |
| Rep. | Modifications | Date | Visa | | | | |

X-ON Electronics

Largest Supplier of Electrical and Electronic Components

Click to view similar products for [Pushbutton Switches](#) category:

Click to view products by [Apem](#) manufacturer:

Other Similar products are found below :

[8940K2012](#) [LW1L-M1C10V-A](#) [LW1L-M1C70-A](#) [LW2L-A1C20M-GD](#) [LW2L-M1C20M-A](#) [60324L](#) [M22-D-R-GB0/K11](#) [M7E-HRN2](#)
[67021K512](#) [67081K512X](#) [701PB580](#) [7190K101](#) [7199K101](#) [810K12910](#) [810KSV30B](#) [MML21EA2ADK](#) [MML21KA3ABK](#)
[MML23KA3AC05K-001](#) [MML23KW3AA01W](#) [8418K2](#) [8442K3](#) [8450K1](#) [860K11911T01A](#) [861901](#) [861K11911T01A07](#)
[861K13810T00A14](#) [861K13911](#) [8646AB6X718UL](#) [8646ABUL](#) [9001KXRK](#) [907AYY100](#) [PMHD155A1](#) [95-313.000](#)
[9533CD4+U574+U4922](#) [95-414.000](#) [99-450.837](#) [99-453.837](#) [PV3H2B0NN-341](#) [1203MRA](#) [A22NZBGANGA](#) [A22NZBMMNGA](#)
[A22NZBNANGA](#) [A22NZMPATRA](#) [A2PMA1X03EC56](#) [A3A-5123-02](#) [A3A-7140](#) [A3A-7310](#) [A3A-7340](#) [A3U-TMW-A2C-5M](#) [A595](#)