

# IZ series

Rear mounted sealed pushbutton switches •  
bushing Ø 16 mm • metal • momentary



## DISTINCTIVE FEATURES

- Rear mounting for easier installation
- Fixed or variable panel thickness
- Screw version available up to 4 A
- Sealed to IP67
- Illuminated or non-illuminated



## ENVIRONMENTAL SPECIFICATIONS

- Front panel sealing : IP67 according to IEC 60529
- Shock resistance : 100 g according to IEC 512-4, test 6c
- Vibration resistance : 10-500Hz - 10 g according to IEC 512-4, test 6d
- Salt spray : IEC 512-6, test 11f
- Operating temperature : -40 °C to +85 °C (-40 °F to +185 °F)



## ELECTRICAL SPECIFICATIONS

- Max. current/voltage rating with resistive load :
  - Gold plated silver contacts (code 4) : 200 mA 48 VDC
  - Silver contacts (code 2) - screw terminals : 4 A 48 VDC
- Electrical life at full load : 500,000 cycles
- Initial contact resistance : 100 mΩ max.
- Insulation resistance : 1 GΩ min. at 500 VDC
- Dielectric strength : 1,000 Vrms 50 Hz



### LED COMPONENT SPECIFICATIONS

LED color	Forward current	Typ. forward voltage	Max. forward voltage
Super red (LOS)	20 mA	2.1 V	2.3 V
Yellow (LOY)	20 mA	2.1 V	2.3 V
Green (LOG)	20 mA	2.1 V	2.3 V
Blue (LOB)	20 mA	3.2 V	3.8 V
White (LOW)	20 mA	3.35 V	4.25 V
Red/green (LSG)	20 mA	Red: 1.95 V / green: 2.1 V	2.5 V
Yellow/green (LYG)	20 mA	Yellow: 2 V / green: 2.1 V	2.5 V

A resistor must be series-connected by the user.  
Resistor value =  $\frac{\text{supply voltage} - \text{LED forward voltage}}{\text{LED forward current}}$

On flying lead versions, the LED resistor can be integrated by APEM on request.

The company reserves the right to change specifications without notice.

# IZ series

Rear mounted sealed pushbutton switches •  
bushing Ø 16 mm • metal • momentary

## GENERAL SPECIFICATIONS

- Panel thickness :
  - IZM : 3 mm (.118) max.
  - IZN : 4 mm (.157) max.
- Total travel : 1.8 mm (.070) ± 0.3 mm
- Typical operating force : 6 N ± 2 N
- Low level or mechanical life : 1,000,000 cycles
- Torque : IZN : 1 Nm max.  
IZM : 0.7 Nm max. applied to nut
- Soldering : 320 °C (608 °F) max. for 3 sec.

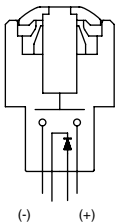
## MATERIALS

- Case : thermoplastic UL94-V0
- Plunger : polyamide
- Bushing/bezel : brass, nickel plated
- Contacts :
  - 4 : silver, gold plated
  - 2 : silver (screw terminals)
- Multi-wire leads AWG20, section 0.6 mm<sup>2</sup>
- LED wire : AWG26, section 0.12 mm<sup>2</sup>
- Lens : polycarbonate
- Terminal seal : epoxy (except screw terminals)

APEM products may be recycled at end-of-life for the re-claiming of valuable metal components.

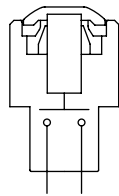
## ELECTRICAL FUNCTIONS

ILLUMINATED MODELS



Function 3 (NO)

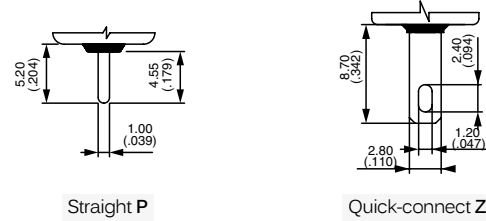
NON-ILLUMINATED MODELS



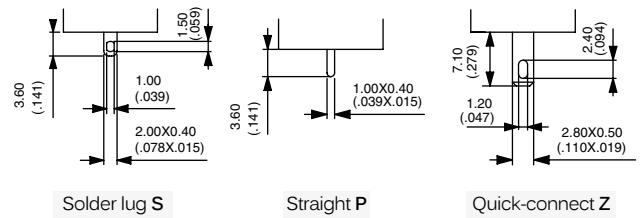
Function 3 (NO)

## TERMINALS

MODELS FOR VARIABLE PANEL THICKNESS (IZM)

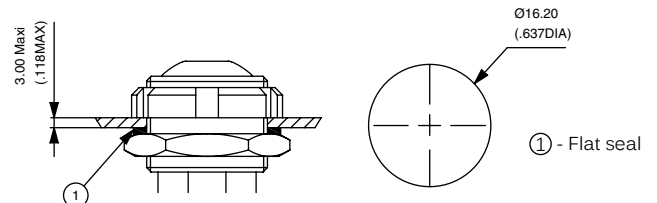


MODELS FOR FIXED PANEL THICKNESS (IZN)

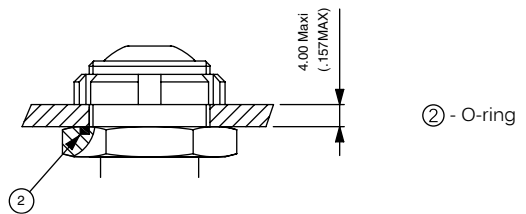


## MOUNTING

PANEL CUT-OUT

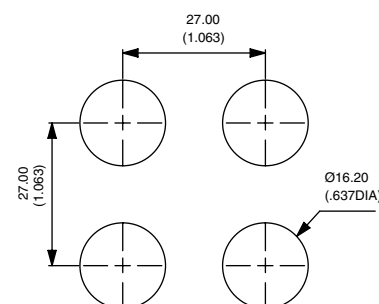


IZM (adjustable hex nut)



IZN (fixed hex nut)

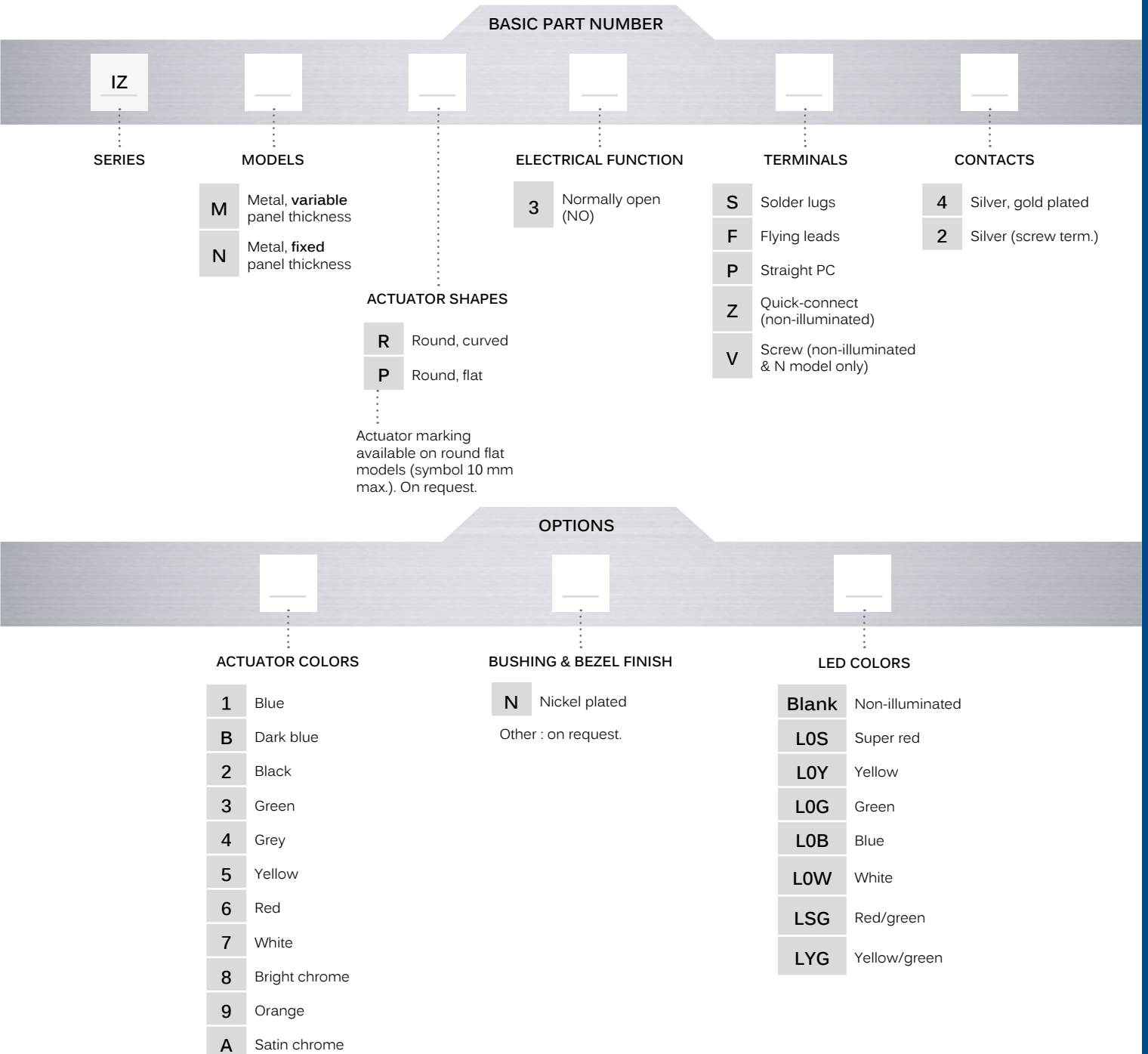
MATRIX MOUNTING



Rear mounted sealed pushbutton switches •  
bushing Ø 16 mm • metal • momentary



## BUILD YOUR PART NUMBER



## ABOUT THIS SERIES

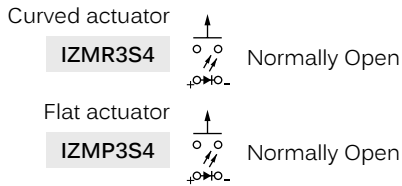
On the following pages, you will find successively basic part numbers of switches and options in the same order as in above chart.

- ⚠ **Notice** : please note that not all combinations of above numbers are available. Refer to the following pages for further information.
- 🔒 **A sealing boot** is available to protect the switches against frost and sand. See "Sealing Boots" section of website.
- 🔧 **Mounting accessories** : Standard hardware supplied :
  - IZM : 1 castellated nickel plated brass nut U6915 + 1 silicone flat seal + 1 hex nut 19 mm (.748) across flats 10-621.
  - IZN : 1 castellated nickel plated brass nut U6915 + 1 O-ring
 Wrench tool available under P/N U4028. Order separately

# IZ series

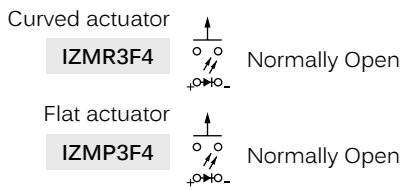
Rear mounted sealed pushbutton switches •  
bushing Ø 16 mm • metal • momentary

## VARIABLE PANEL THICKNESS ILLUMINATED - SOLDER LUG TERMINALS



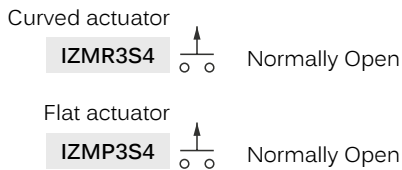
Also available with straight PC terminals : **IZM•3P4**.  
LED color is indicated by the bottom of the switch.

## VARIABLE PANEL THICKNESS ILLUMINATED - FLYING LEAD TERMINALS



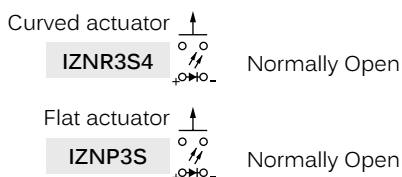
Wire colors : black : NO contact, red : LED anode (+), blue : LED cathode (-)

## VARIABLE PANEL THICKNESS NON-ILLUMINATED - SOLDER LUG TERMINALS

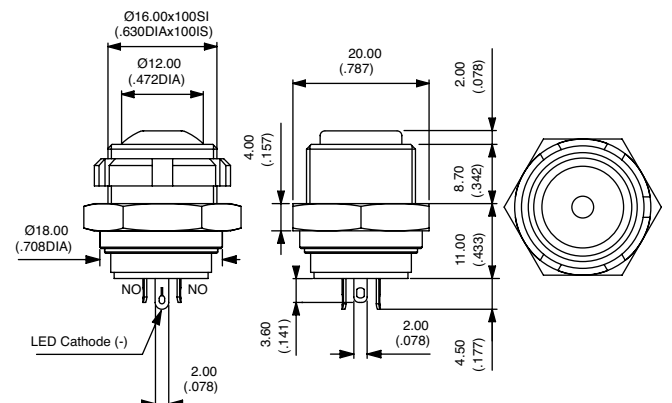
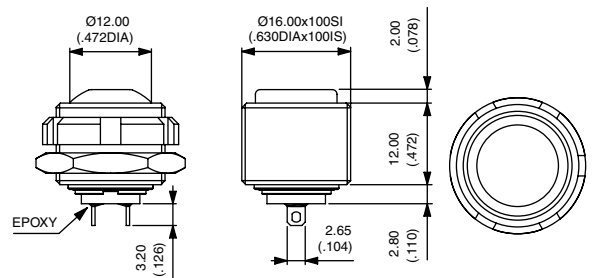
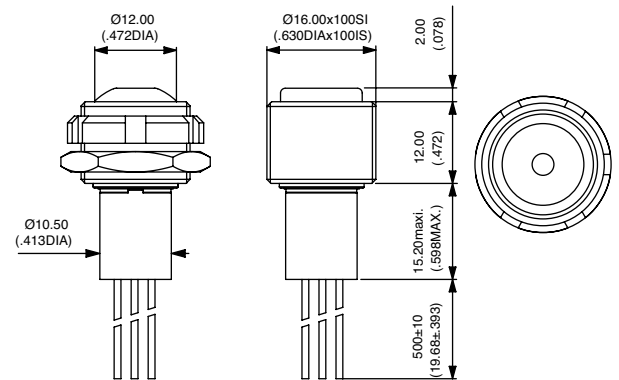
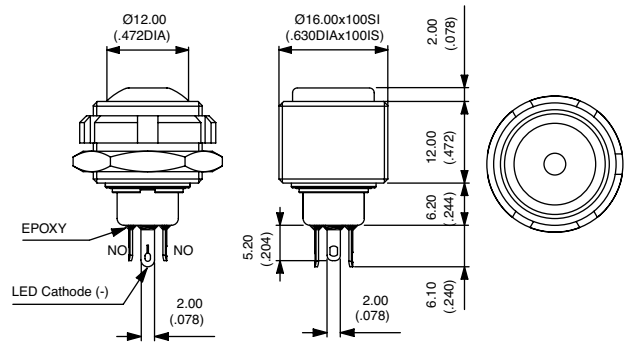


Also available with straight PC terminals : **IZM•3P4**  
and quick-connect terminals : **IZM•3Z4**.

## FIXED PANEL THICKNESS ILLUMINATED - SOLDER LUG TERMINALS




Also available with straight PC terminals : **IZN•3P4**.  
LED colour is indicated by the bottom of the switch.



Rear mounted sealed pushbutton switches •  
bushing Ø 16 mm • metal • momentary

## FIXED PANEL THICKNESS ILLUMINATED - FLYING LEAD TERMINALS

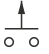
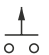


- Curved actuator  
**IZNR3F4**  Normally Open
- Flat actuator  
**IZNP3F4**  Normally Open

Wire colors : black : NO contact, red : LED anode (+), blue : LED cathode (-)

## FIXED PANEL THICKNESS NON-ILLUMINATED - SOLDER LUG TERMINALS

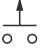
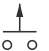


- Curved actuator  
**IZNR3S4**  Normally Open
- Flat actuator  
**IZNP3S4**  Normally Open

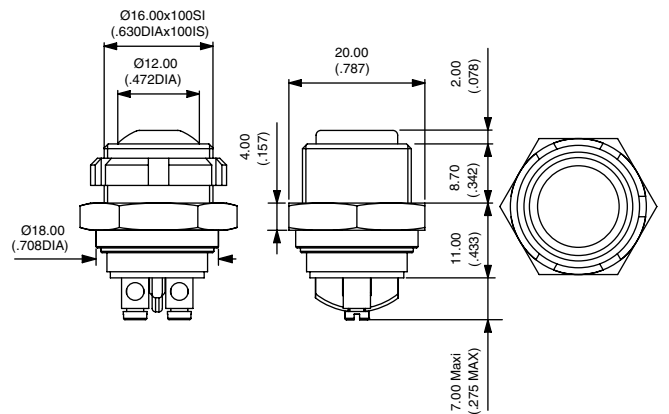
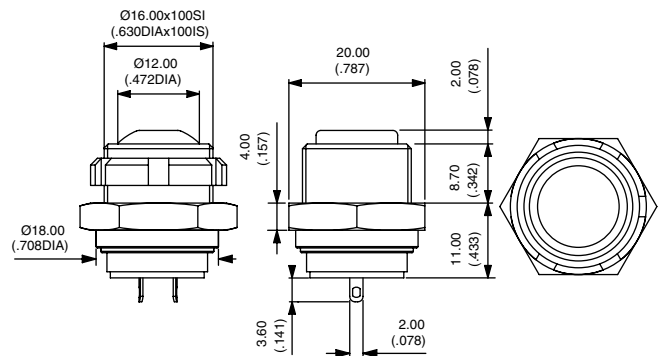
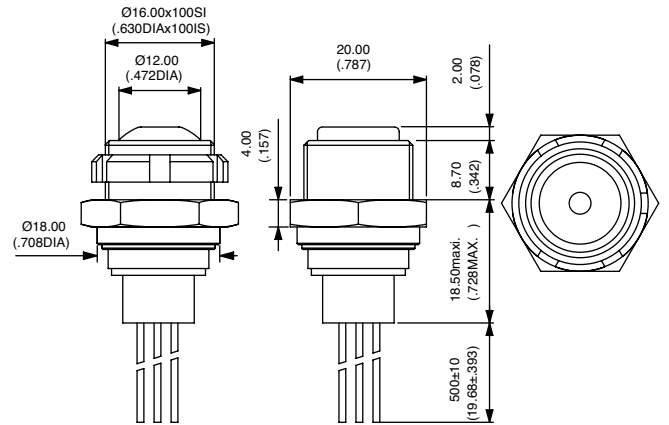
Also available with straight PC terminals : **IZN•3P4**  
and quick-connect terminals : **IZN•3Z4**.

## FIXED PANEL THICKNESS NON-ILLUMINATED - SCREW TERMINALS



- SILVER CONTACTS
- Curved actuator  
**IZNR3V2**  Normally Open
  - Flat actuator  
**IZNP3V2**  Normally Open

For non-illuminated FLYING LEAD versions, refer to illuminated models  
. Non-illuminated have 2 wires only.



# IZ series

Rear mounted sealed pushbutton switches •  
bushing Ø 16 mm • metal • momentary

## ACTUATOR COLORS



- 1 Blue
- B Dark blue
- 2 Black
- 3 Green
- 4 Grey
- 5 Yellow
- 6 Red
- 7 White
- 8 Bright chrome
- 9 Orange
- A Satin chrome

## BUSHING AND BEZEL



- N Nickel plated (standard)
- Other : on request.

## LED COLORS



- Blank Non-illuminated
- LOS Super Red
- LOY Yellow
- LOG Green
- LOB Blue
- LOW White
- LSG Red/green
- LYG Yellow/green

## X-ON Electronics

Largest Supplier of Electrical and Electronic Components

*Click to view similar products for [Other Tools](#) category:*

*Click to view products by [Apem](#) manufacturer:*

Other Similar products are found below :

[CR-05FL7--150R](#) [CR-05FL7--698K](#) [899-2-KT46](#) [899-5-KT46](#) [CR-0AFL4--332K](#) [CR-12FP4--260R](#) [CRCW04021100FRT7](#)  
[CRCW04021961FRT7](#) [5800-0090](#) [CRCW04024021FRT7](#) [CRCW040254R9FRT7](#) [CRCW0603102JRT5](#) [59065-5](#) [00-8273-RDPP](#) [00-8729-](#)  
[WHPP](#) [593033](#) [593058](#) [593072](#) [593564100](#) [593575](#) [593591](#) [593593](#) [011349-000](#) [LTLA506SBLAMNBL](#) [CRCW08052740FRT1](#) [LUC-](#)  
[012S070DSM](#) [LUC-018S070DSP](#) [599-2021-3-NME](#) [599-JJ-2021-03](#) [00-5080-YWPP](#) [5E4750/01-20R0-T/R](#) [LW1A-L1-GL](#) [LW1A-P1-GD](#)  
[LW1L-A1C10V-GL](#) [LW1L-M1C70-A](#) [0202-0173](#) [00-9089-RDPP](#) [00-9300-RDPP](#) [CRCW2010331JR02](#) [01-1003W-8/32-10](#) [601-GP-08-](#)  
[KT39](#) [601-JJ-06](#) [601-SPB](#) [601YSY](#) [602-JJ-03](#) [602SPB](#) [602Z](#) [603-JJ-07-FP](#) [603-JJY-04](#) [604J](#)