

IZ series

Rear mounted sealed pushbutton switches •
bushing Ø 16 mm • latching



DISTINCTIVE FEATURES

Rear mounting for easier installation

Latching action models

Sealed to IP67

Illuminated or non-illuminated

Flat actuator for optional marking



ENVIRONMENTAL SPECIFICATIONS

- Front panel sealing : IP67 according to IEC 60529
- Shock resistance : 100 g according to IEC 512-4, test 6c
- Vibration resistance : 10-500Hz - 10 g according to IEC 512-4, test 6d
- Salt spray : IEC 512-6, test 11f
- Operating temperature : -40 °C to +85 °C (-40 °F to +185 °F)



ELECTRICAL SPECIFICATIONS

- Max. current/voltage rating with resistive load :
100 mA 24 VDC - 200,000 cycles
- Initial contact resistance : 100 mΩ max.
- Insulation resistance : 1 GΩ min. at 500 VDC
- Dielectric strength : 1.500 Vrms 50 Hz between terminals



LED COMPONENT SPECIFICATIONS

LED color	Forward current	Typ. forward voltage	Max. forward voltage
Super red (L0S)	20 mA	1.95 V	1.95 V
Yellow (L0Y)	20 mA	2 V	2.05 V
Green (L0G)	20 mA	2.1 V	2.5 V
Blue (L0B)	20 mA	3.2 V	4 V

A resistor must be series-connected by the user.
Resistor value = $\frac{\text{supply voltage} - \text{LED forward voltage}}{\text{LED forward current}}$

On flying lead versions, the LED resistor can be integrated by APEM on request.

IZ series

Rear mounted sealed pushbutton switches •
bushing Ø 16 mm • latching

GENERAL SPECIFICATIONS

- Panel thickness : 3 mm (.118) max.
- Total travel : 2.5 mm (.098) ± 0.3 mm
- Typical operating force : 5 N ± 2 N
- Low level or mechanical life : 200,000 cycles
- Torque : 0.7 Nm max. applied to nut
- Soldering : 320 °C (662 °F) max. for 3 sec.

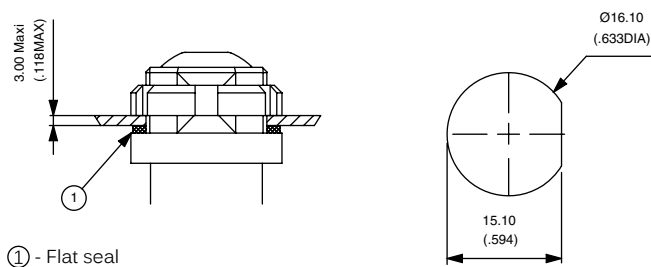
MATERIALS

- Case : thermoplastic UL94-V0
- Plunger : polyamide
- Bushing/bezel : polyamide
- Contacts : silver, gold plated
- Multi-wire leads AWG20, section 0.6 mm²
- LED wire : AWG26, section 0.12 mm²
- Lens : polycarbonate
- Terminal seal : epoxy

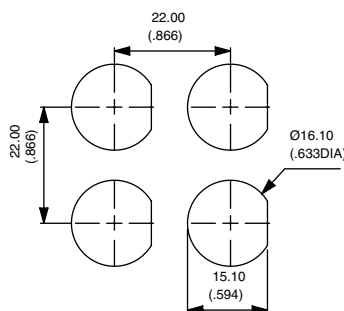
APEM products may be recycled at end-of-life for the re-claiming of valuable metal components.

MOUNTING

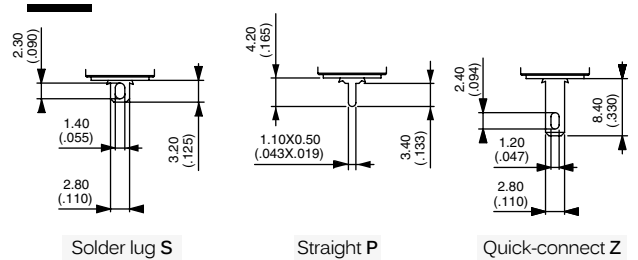
PANEL CUT-OUT



MATRIX MOUNTING

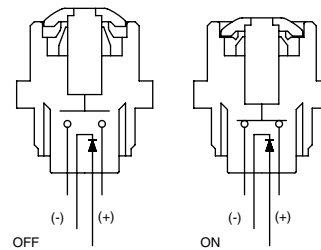


TERMINALS

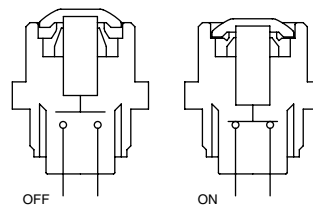


ELECTRICAL FUNCTIONS

ILLUMINATED MODELS



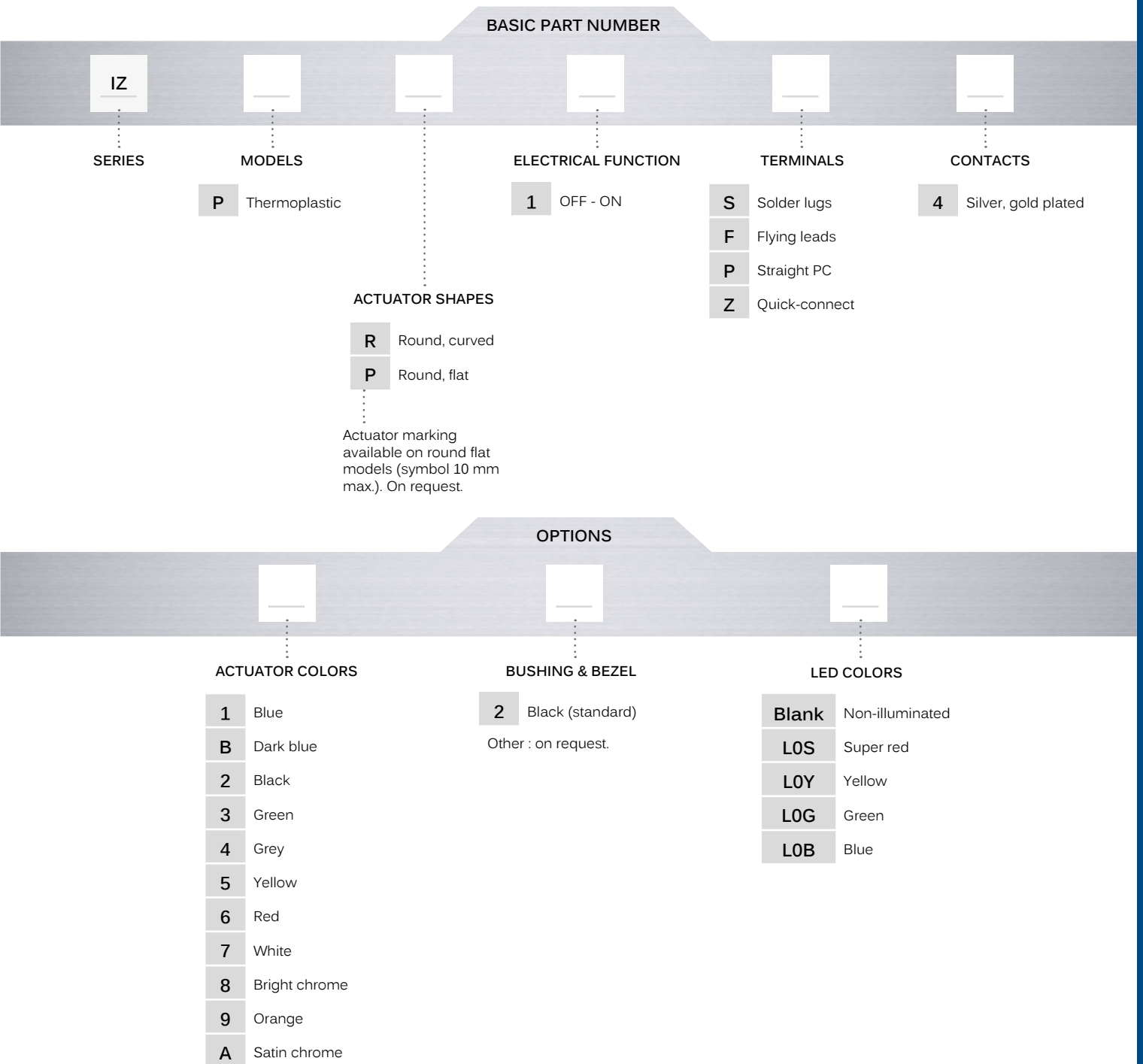
NON-ILLUMINATED MODELS



Rear mounted sealed pushbutton switches •
bushing Ø 16 mm • latching



BUILD YOUR PART NUMBER



ABOUT THIS SERIES

On the following pages, you will find successively basic part numbers of switches and options in the same order as in above chart.

- Notice** : please note that not all combinations of above numbers are available. Refer to the following pages for further information.
- A sealing boot** is available to protect the switches against frost and sand. See "Sealing Boots" section of website.
- Mounting accessories** : Standard hardware supplied : 1 castellated black plastic nut U4249 and 1 silicone flat seal. Wrench tool available under P/N U4028. Order separately.

IZ series

Rear mounted sealed pushbutton switches •
bushing Ø 16 mm • latching

ILLUMINATED - SOLDER LUG TERMINALS



- Curved actuator
IZPR1S4 OFF - ON
- Flat actuator
IZPP1S4 OFF - ON

Also available with straight PC terminals : **IZP•1P4**
and quick-connect terminals : **IZP•1Z4**.

ILLUMINATED - FLYING LEAD TERMINALS



- Curved actuator
IZPR1F4 OFF - ON
- Flat actuator
IZPP1F4 OFF - ON

Wire colors : black : NO contact, red : LED anode(+), blue : LED cathode (-)

NON- ILLUMINATED - SOLDER LUG TERMINALS



- Curved actuator
IZPR1S4 OFF - ON
- Flat actuator
IZPP1S4 OFF - ON

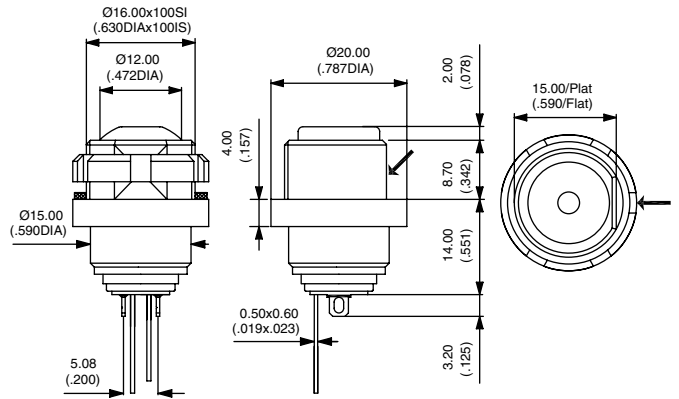
Also available with straight PC terminals : **IZP•1P4**
and quick-connect terminals : **IZP•1Z4**.

NON-ILLUMINATED - FLYING LEAD TERMINALS

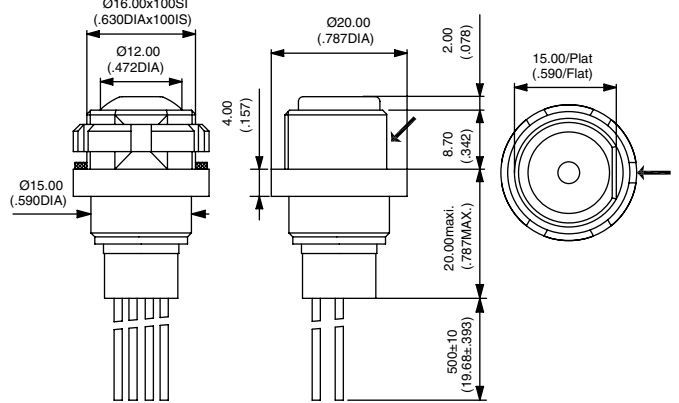


- Curved actuator
IZPR1F4 OFF - ON
- Flat actuator
IZPP1F4 OFF - ON

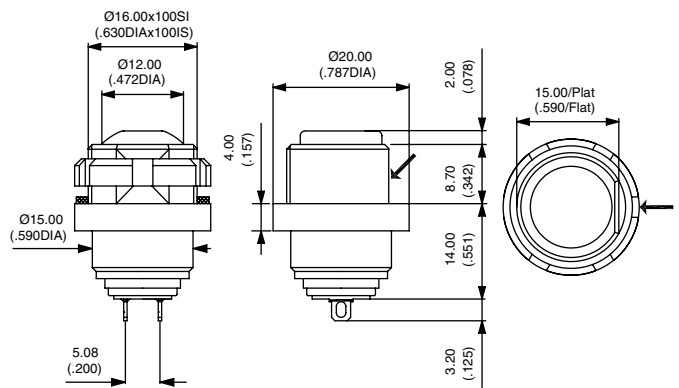
→ FLAT



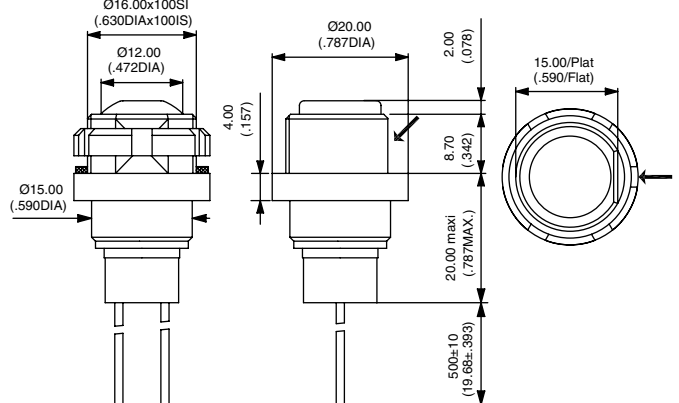
→ FLAT



→ FLAT



→ FLAT



IZ series

Rear mounted sealed pushbutton switches •
bushing Ø 16 mm • latching

ACTUATOR COLORS



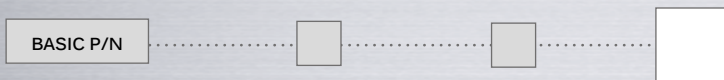
- 1 Blue
- B Dark blue
- 2 Black
- 3 Green
- 4 Grey
- 5 Yellow
- 6 Red
- 7 White
- 8 Bright chrome
- 9 Orange
- A Satin chrome

BUSHING AND BEZEL



- B Black (standard)
- Other : on request.

LED COLORS



- Blank Non-illuminated
- LOS Super Red
- LOY Yellow
- LOG Green
- LOB Blue

X-ON Electronics

Largest Supplier of Electrical and Electronic Components

Click to view similar products for [Pushbutton Switches](#) category:

Click to view products by [Apem](#) manufacturer:

Other Similar products are found below :

[LW1L-M1C10V-A](#) [LW2L-A1C20M-GD](#) [LW2L-M1C20M-A](#) [60324L](#) [M7E-HRN2](#) [67021K512](#) [67081K512X](#) [701PB580](#) [719-5504-000](#)
[MDPSSGLFS](#) [810KSV30B](#) [FLT 2U EE 01A](#) [MML21KA3ABK](#) [MML23KA3AC05K-001](#) [MML23KW3AA01W](#) [8418K2](#) [8646AB6X718UL](#)
[8646ABUL](#) [FSDWH](#) [9001KXRK](#) [9001T8BK](#) [9533CD4+U574+U4922](#) [1203MRA](#) [A22EM01S](#) [A595](#) [1202A6](#) [12037A2ULCSA](#) [1203A2UL](#)
[ABD122N-B](#) [1211390004](#) [ABN111-Y](#) [ABN400-R](#) [1211500044](#) [1211580012](#) [1212MRA](#) [1232A6NF](#) [RA3CSH6A](#) [1241.1183.7047](#)
[1241.2511](#) [1241.3428](#) [1223A2ULCSA](#) [1223MRA](#) [1232AX2119](#) [1241.1183.8000](#) [1241.1183.8029](#) [1241.2506](#) [1241.2606](#) [12MA6](#)
[1301940184](#) [RELBARF6X10\(PLASTIC\)](#)