

# IZ series

Rear mounted sealed pushbutton switches •  
bushing Ø 16 mm • momentary



## DISTINCTIVE FEATURES

- Rear mounting for easier installation
- Momentary models
- Screw version available up to 4 A
- Sealed to IP67
- Illuminated or non-illuminated



## ENVIRONMENTAL SPECIFICATIONS

- Front panel sealing : IP67 according to IEC 60529
- Shock resistance : 100 g according to IEC 512-4, test 6c
- Vibration resistance : 10-500Hz - 10 g according to IEC 512-4, test 6d
- Salt spray : IEC 512-6, test 11f
- Operating temperature : -40 °C to +85 °C (-40 °F to +185 °F)



## ELECTRICAL SPECIFICATIONS

- Max. current/voltage rating with resistive load :
  - Gold plated silver contacts (code 4) : 200 mA 48 VDC
  - Silver contacts (code 2) - screw terminals : 4 A 48 VDC
- Electrical life at full load : 500,000 cycles
- Initial contact resistance : 100 mΩ max.
- Insulation resistance : 1 GΩ min. at 500 VDC
- Dielectric strength : 1,000 Vrms 50 Hz



### LED COMPONENT SPECIFICATIONS

LED color	Forward current	Typ. forward voltage	Max. forward voltage
Super red (L0S)	20 mA	2.1 V	2.3 V
Yellow (L0Y)	20 mA	2.1 V	2.3 V
Green (L0G)	20 mA	2.1 V	2.3 V
Blue (L0B)	20 mA	3.2 V	3.8 V
White (L0W)	20 mA	3.35 V	4.25 V
Red/green (LSG)	20 mA	Red: 1.95 V / green: 2.1 V	2.5 V
Yellow/green (LYG)	20 mA	Yellow: 2 V / green: 2.1 V	2.5 V

A resistor must be series-connected by the user.  
Resistor value =  $\frac{\text{supply voltage} - \text{LED forward voltage}}{\text{LED forward current}}$

On flying lead versions, the LED resistor can be integrated by APEM on request.

The company reserves the right to change specifications without notice.

# IZ series

Rear mounted sealed pushbutton switches •  
bushing Ø 16 mm • momentary

## GENERAL SPECIFICATIONS

- Panel thickness : 3 mm (.118) max.
- Total travel : 1.8 mm (.070) ± 0.3 mm
- Typical operating force : 6 N ± 2 N
- Low level or mechanical life : 1,000,000 cycles
- Torque : 0.7 Nm max. applied to nut
- Soldering : 320 °C (662 °F) max. for 3 sec.

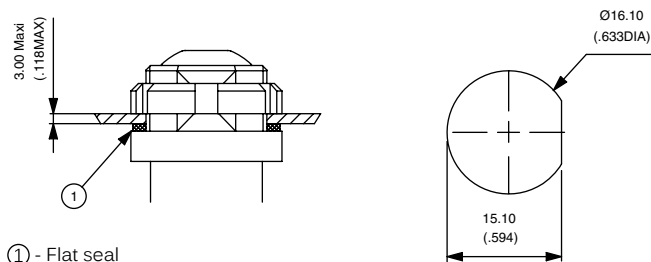
## MATERIALS

- Case : thermoplastic UL94-V0
- Plunger : polyamide
- Bushing/bezel : polyamide
- Contacts :  
4 : silver, gold plated  
2 : silver (screw terminals)
- Multi-wire leads AWG20, section 0.6 mm<sup>2</sup>
- LED wire : AWG26, section 0.12 mm<sup>2</sup>
- Lens : polycarbonate
- Terminal seal : epoxy (except screw terminals)

APEM products may be recycled at end-of-life for the re-claiming of valuable metal components.

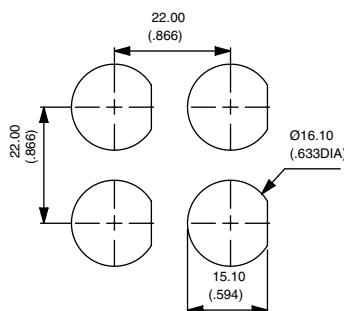
## MOUNTING

### PANEL CUT-OUT



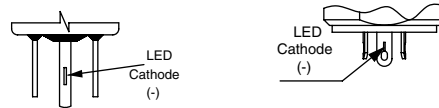
① - Flat seal

### MATRIX MOUNTING

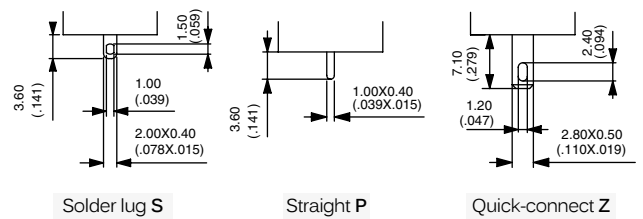


## TERMINALS

### ILLUMINATED

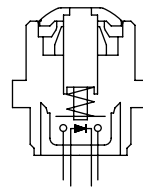


### NON-ILLUMINATED



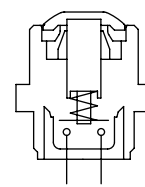
## ELECTRICAL FUNCTIONS

### ILLUMINATED MODELS



Function 3 (NO)

### NON-ILLUMINATED MODELS

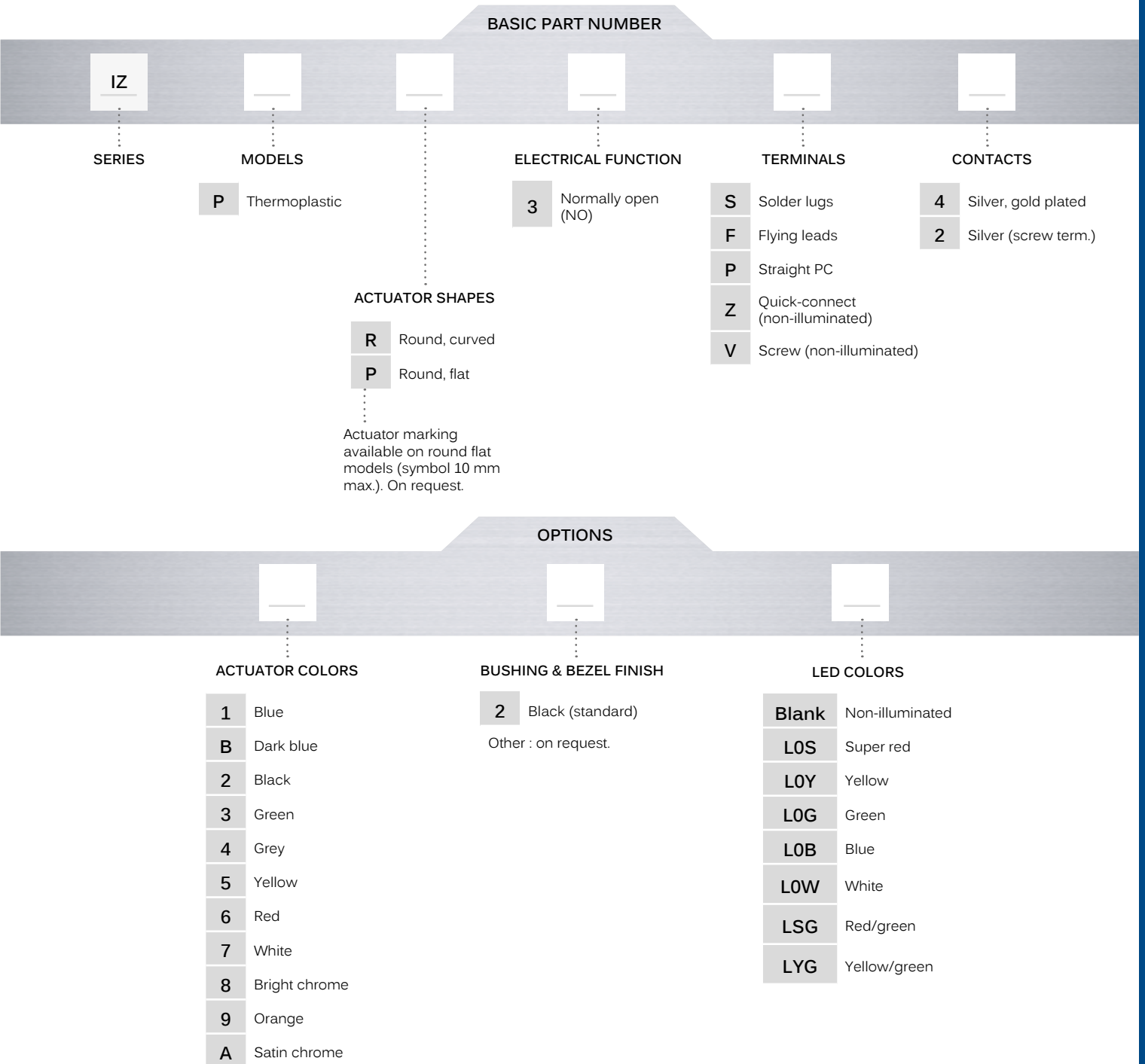


Function 3 (NO)

Rear mounted sealed pushbutton switches •  
bushing Ø 16 mm • momentary



## BUILD YOUR PART NUMBER



## ABOUT THIS SERIES

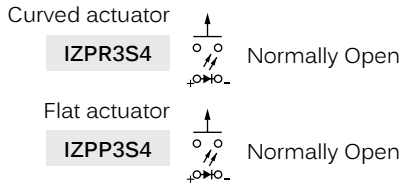
On the following pages, you will find successively basic part numbers of switches and options in the same order as in above chart.

- Notice** : please note that not all combinations of above numbers are available. Refer to the following pages for further information.
- A sealing boot** is available to protect the switches against frost and sand. See "Sealing Boots" section of website.
- Mounting accessories** : Standard hardware supplied : 1 castellated black plastic nut U4249 and 1 silicone flat seal. Wrench tool available under P/N U4028. Order separately.

# IZ series

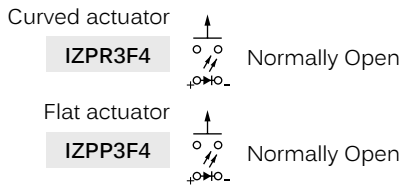
Rear mounted sealed pushbutton switches •  
bushing Ø 16 mm • momentary

## ILLUMINATED - SOLDER LUG TERMINALS



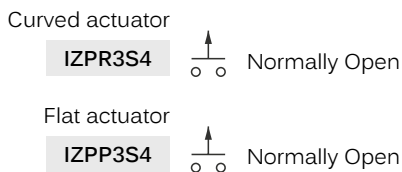
Also available with straight PC terminals : **IZP•3P4**.  
LED color is indicated by the bottom of the switch.

## ILLUMINATED - FLYING LEAD TERMINALS



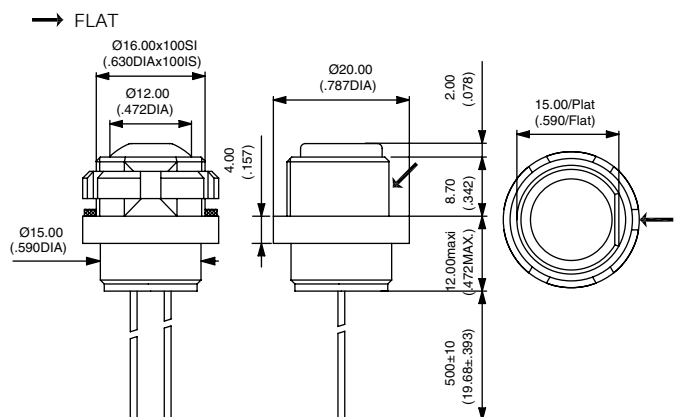
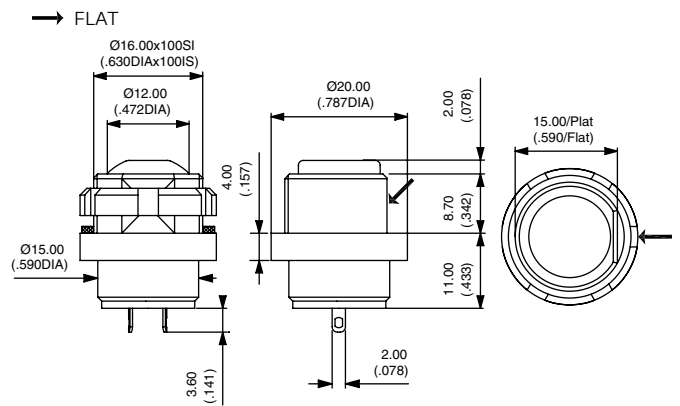
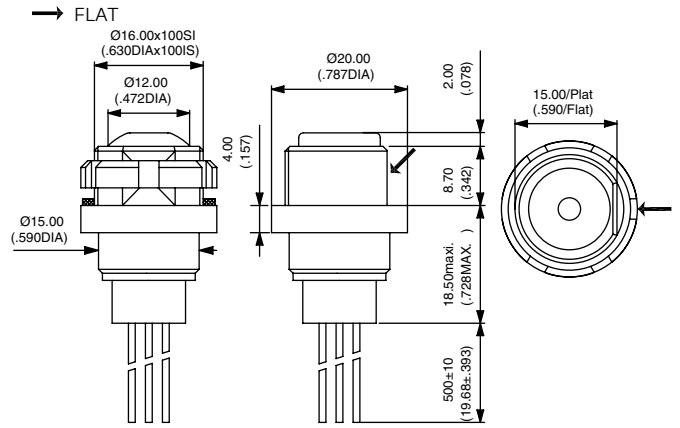
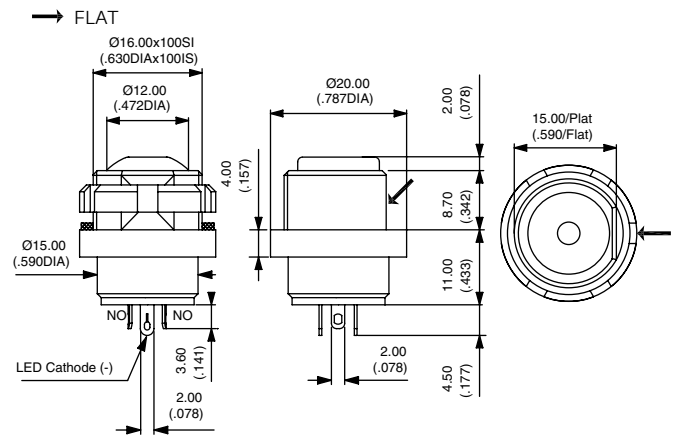
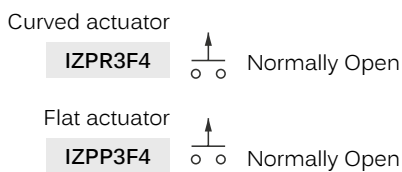
Wire colors : black : NO contact, red : LED anode(+), blue : LED cathode (-)

## NON-ILLUMINATED - SOLDER LUG TERMINALS



Also available with straight PC terminals : **IZP•3P4**  
and quick-connect terminals : **IZP•3Z4**.

## NON-ILLUMINATED - FLYING LEAD TERMINALS



# IZ series

Rear mounted sealed pushbutton switches •  
bushing Ø 16 mm • momentary

## NON-ILLUMINATED - SCREW TERMINALS SILVER CONTACTS



Curved actuator

IZPR3V2



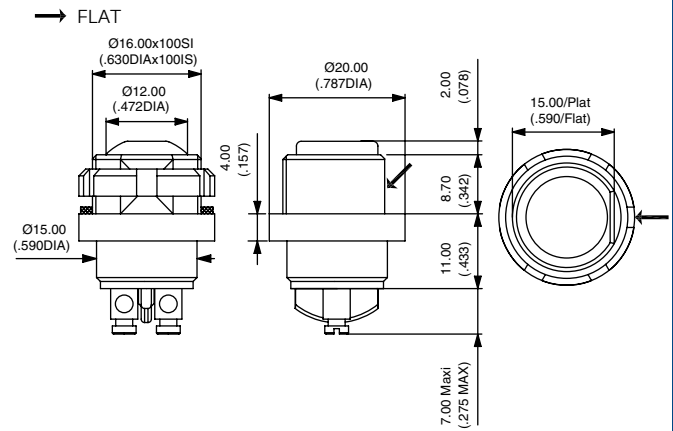
Normally Open

Flat actuator

IZPP3V2



Normally Open



### ACTUATOR COLORS



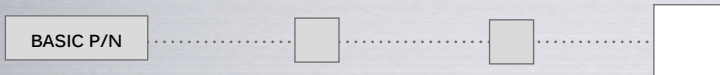
- |   |               |
|---|---------------|
| 1 | Blue          |
| B | Dark blue     |
| 2 | Black         |
| 3 | Green         |
| 4 | Grey          |
| 5 | Yellow        |
| 6 | Red           |
| 7 | White         |
| 8 | Bright chrome |
| 9 | Orange        |
| A | Satin chrome  |

### BUSHING AND BEZEL



- |   |                  |
|---|------------------|
| 2 | Black (standard) |
|---|------------------|
- Other : on request.

### LED COLORS



- |       |                 |
|-------|-----------------|
| Blank | Non-illuminated |
| LOS   | Super Red       |
| LOY   | Yellow          |
| LOG   | Green           |
| LOB   | Blue            |
| LOW   | White           |
| LSG   | Red/green       |
| LYG   | Yellow/green    |

## X-ON Electronics

Largest Supplier of Electrical and Electronic Components

*Click to view similar products for [Pushbutton Switches](#) category:*

*Click to view products by [Apem](#) manufacturer:*

Other Similar products are found below :

[8940K2012](#) [LW1L-M1C10V-A](#) [LW1L-M1C70-A](#) [LW2L-A1C20M-GD](#) [LW2L-M1C20M-A](#) [60324L](#) [M22-D-R-GB0/K11](#) [M7E-HRN2](#)  
[67021K512](#) [67081K512X](#) [701PB580](#) [7190K101](#) [7199K101](#) [810K12910](#) [810KSV30B](#) [MML21EA2ADK](#) [MML21KA3ABK](#)  
[MML23KA3AC05K-001](#) [MML23KW3AA01W](#) [8418K2](#) [8442K3](#) [8450K1](#) [860K11911T01A](#) [861901](#) [861K11911T01A07](#)  
[861K13810T00A14](#) [861K13911](#) [8646AB6X718UL](#) [8646ABUL](#) [9001KXRK](#) [907AYY100](#) [PMHD155A1](#) [95-313.000](#)  
[9533CD4+U574+U4922](#) [95-414.000](#) [99-450.837](#) [99-453.837](#) [PV3H2B0NN-341](#) [1203MRA](#) [A22NZBGANGA](#) [A22NZBMMNGA](#)  
[A22NZBNANGA](#) [A22NZMPATRA](#) [A2PMA1X03EC56](#) [A3A-5123-02](#) [A3A-7140](#) [A3A-7310](#) [A3A-7340](#) [A3U-TMW-A2C-5M](#) [A595](#)