

# JC series

Finger operated compact controllers •  
non-contacting Hall effect technology



## DISTINCTIVE FEATURES

Compact: ideal for keyboard integration

Shallow mounting

Low profile handle

One, two or three axis

Pushbutton handle option



## ENVIRONMENTAL SPECIFICATIONS

- Operating Temperature: -25 °C to +70 °C (-13 °F to +158 °F)
- Storage Temperature: -40 °C to +70 °C (-40 °F to +158 °F)



## SENSOR SPECIFICATIONS

- Sensor: Hall effect
- Supply voltage range: 5.00 VDC
- Center voltage max: 2.50VDC  $\pm$  50mV
- Supply current max: 10mA per axis
- Transient overvoltage: 16V max
- Reverse voltage protection: -10V
- Response time: 40-80uSEC
- Ratiometric output voltage: See configuration options
- Output current: 5mA per axis
- Electrical MTBF 1,000,000 operational (power on) hours



# JC series

Finger operated compact controllers • non-contacting Hall effect technology



## MECHANICAL SPECIFICATIONS (X/Y AXIS)

- Deflection force: 0.14lbs. @ 27° @ 2 7/8" above pivot point
- Mechanical travel:  $\pm 28^\circ$  from center
- Mounting: rear panel
- Panel thickness: 0.500" to .187
- Lever action (centering): Spring"



## MECHANICAL SPECIFICATIONS (Z AXIS)

- Breakout torque: .80lbf.in
- Operating torque: 1.07lbf.in
- Maximum torque: 22.13lbf.in
- Mechanical rotation:  $\pm 45^\circ$
- Handle action: Spring return to center

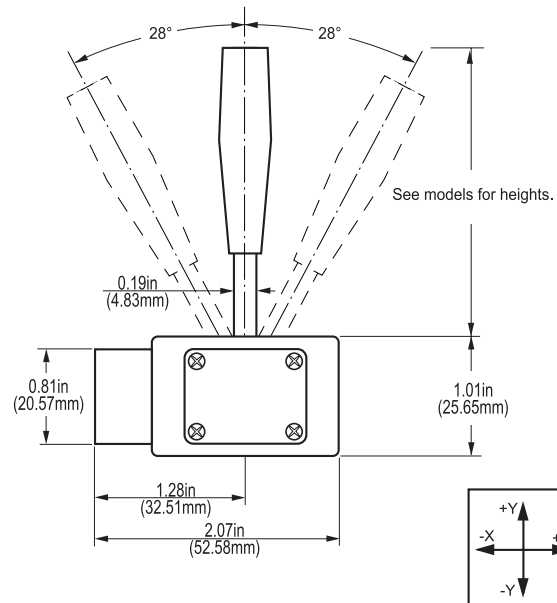
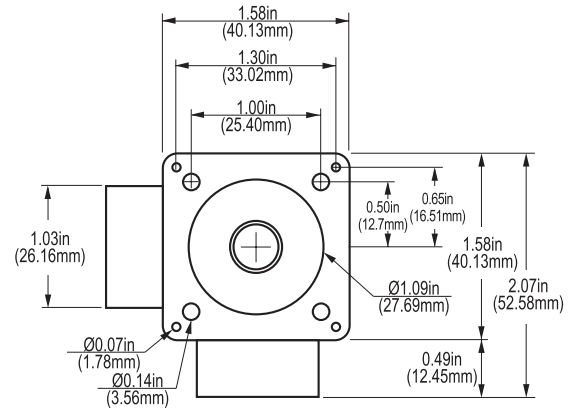


## MATERIALS

- Handle: Glass filled nylon
- Body: Glass filled nylon
- Boot: Silicone
- Shaft: 3/16" nickel plated brass
- Main pivot ball: precision ground stainless steel



## MOUNTING



## WIRING DIAGRAM

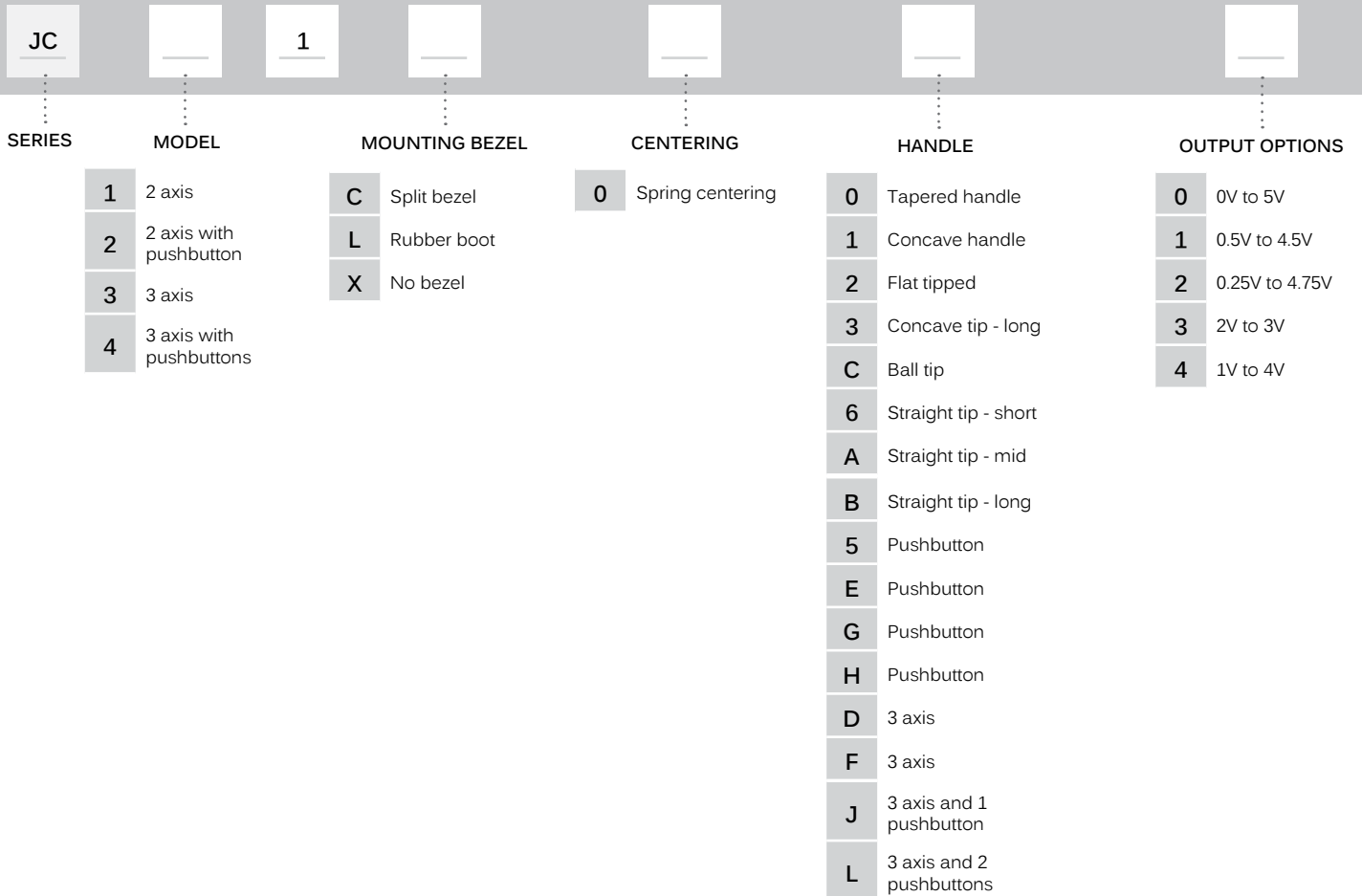
DEFAULT WIRE COLOR CODE	
COLOR	FUNCTION
RED	5VDC
BLACK	GND
BLUE	X AXIS
YELLOW	Y AXIS
GREEN	Z AXIS
ORANGE	PUSHBUTTON 1
VIOLET	PUSHBUTTON 2
WHITE	PUSHBUTTON COMMON

# JC series

Finger operated compact controllers • non-contacting Hall effect technology



## BUILD YOUR PART NUMBER



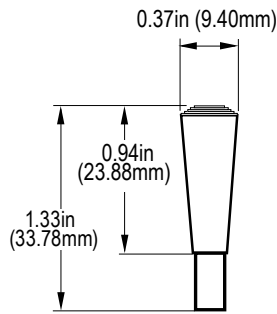
# JC series

Finger operated compact controllers •  
non-contacting Hall effect technology

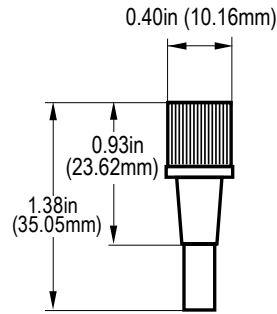


## HANDLE OPTIONS

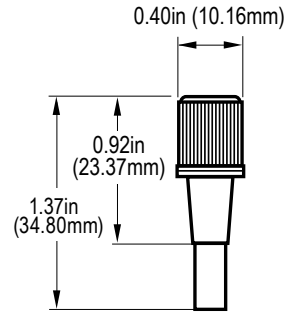
HANDLE 0



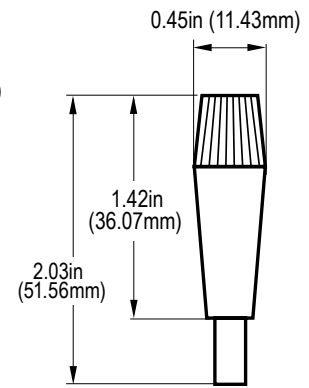
HANDLE 1



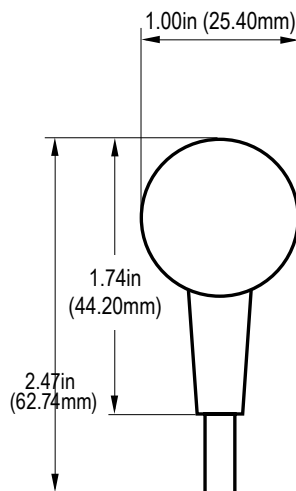
HANDLE 2



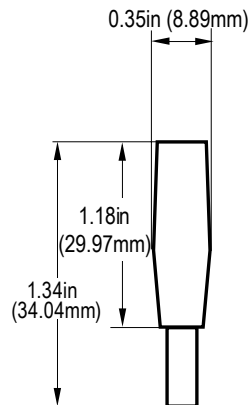
HANDLE 3



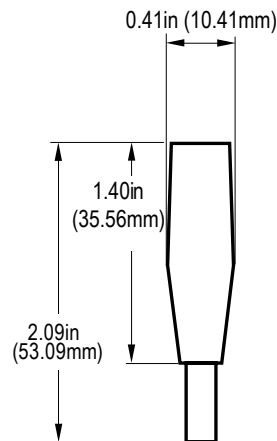
HANDLE C



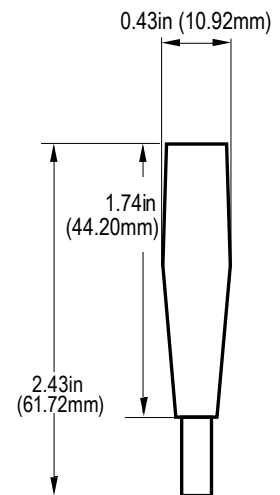
HANDLE 6



HANDLE A

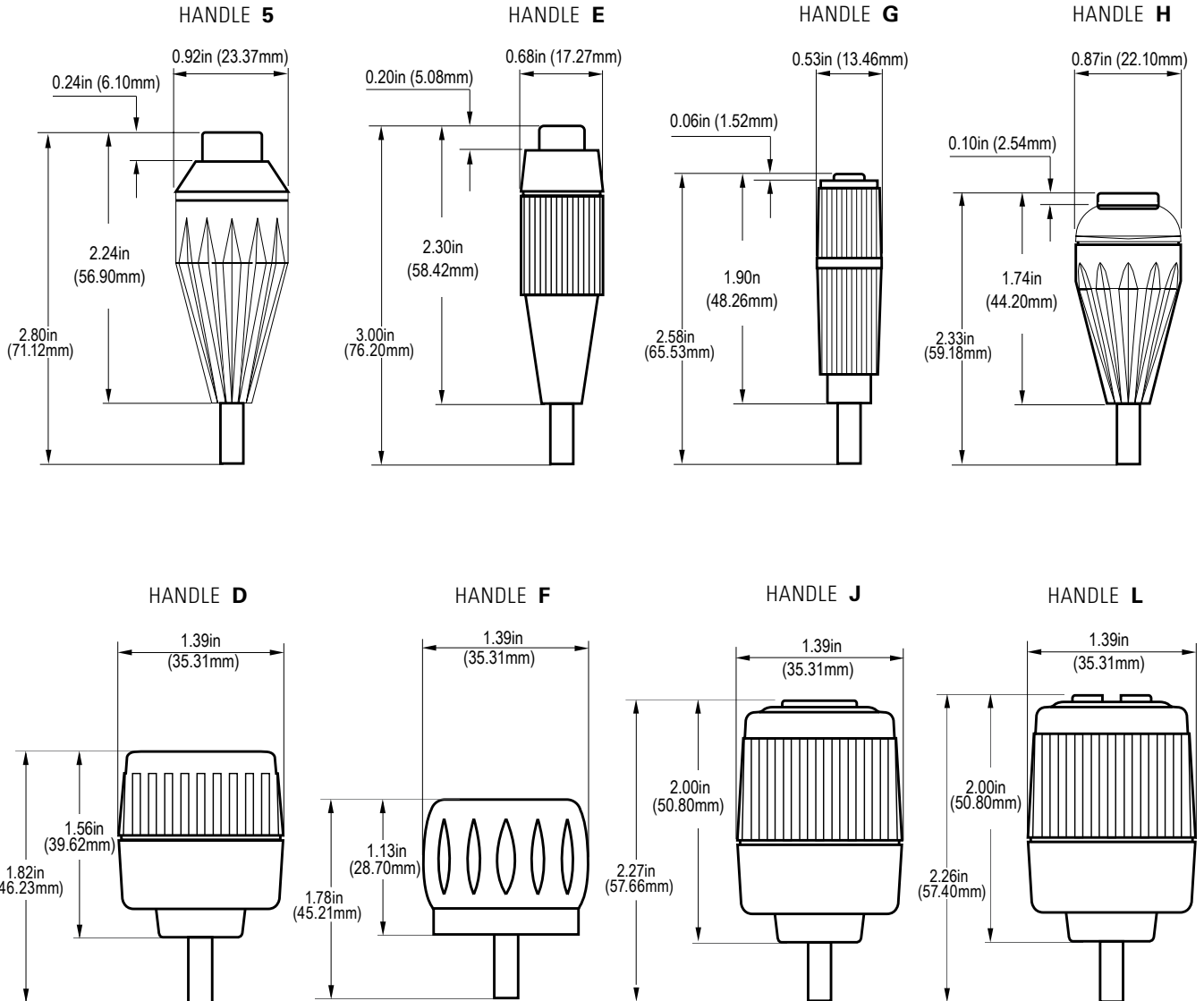


HANDLE B



# JC series

Finger operated compact controllers • non-contacting Hall effect technology



Drawing are not to scale.

The company reserves the right to change specifications without notice.

## X-ON Electronics

Largest Supplier of Electrical and Electronic Components

*Click to view similar products for [Joysticks](#) category:*

*Click to view products by [Apem](#) manufacturer:*

Other Similar products are found below :

[M11L0A1](#) [C1000C1P](#) [S10L0A1M](#) [G3-A1AM151NNNN](#) [TH500P00D4](#) [C1000C1PMJ0](#) [S10L061J](#) [60C22-M7-4-020S](#) [67A-DF-3C-060C](#)  
[60A00-8-050C](#) [60A00-4-050C](#) [60C22-M7-4-040S](#) [G3-0425](#) [S30L081F50](#) [3440SAT6476](#) [60A18-4-090C](#) [S30L081J](#) [M11L001C](#) [M11L0X1P](#)  
[USBM31Q081RMJ4S](#) [USBC200051JMJS](#) [TW08BLK12](#) [S30L0M1CSJBLK](#) [HF11R11](#) [HG-44MIS000-2654](#) [HG-44MIS000-U-2655](#)  
[4P182F1E55475](#) [TS4A1S00A](#) [BD140D01GR0000](#) [BD150SD4BL1200](#) [3140SAL6475](#) [TW01BLK11](#) [TW01GRY1](#) [ZD4PA203](#)  
[HF44S10UMJ0](#) [TS3N2S00A](#) [TS1R1U00A](#) [TS1R1S09A](#) [TS1D2S00A](#) [HFX45S02](#) [HFX10S00](#) [HF11P11](#) [4R28-2S1E-55-00](#)  
[BD150A01RE0000](#) [BD150D02BK1200](#) [ZD4PA24](#) [ZD4PA22](#) [ZD4PA12](#) [ZD4PA14](#) [J1-00105-S-G](#)