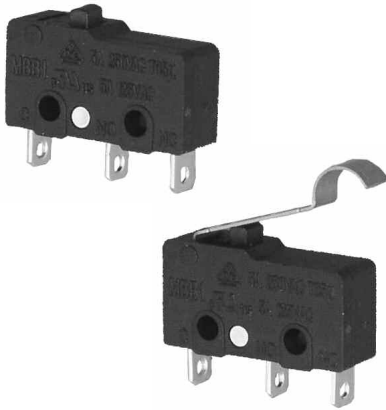


# MBB series

## Micro limit snap action switch

*Distinctive features and specifications*



- Movement differential  $\leq 0.2\text{mm}$ .
- Available in normally open, normally closed and change-over functions.
- Solder lug and PC terminals available.

### ELECTRICAL SPECIFICATIONS

- AC rating: 5A 125VAC (cULus) 5A 250VAC (VDE)
- Electrical life: 10,000 cycles min.

### MATERIALS

- Case: PBT (UL94V-0)
- Actuator: PPS (UL94V-0)
- Contact spring: CuBe
- Terminals: CuZn Ag plated
- Contacts: AgNi

### GENERAL SPECIFICATIONS

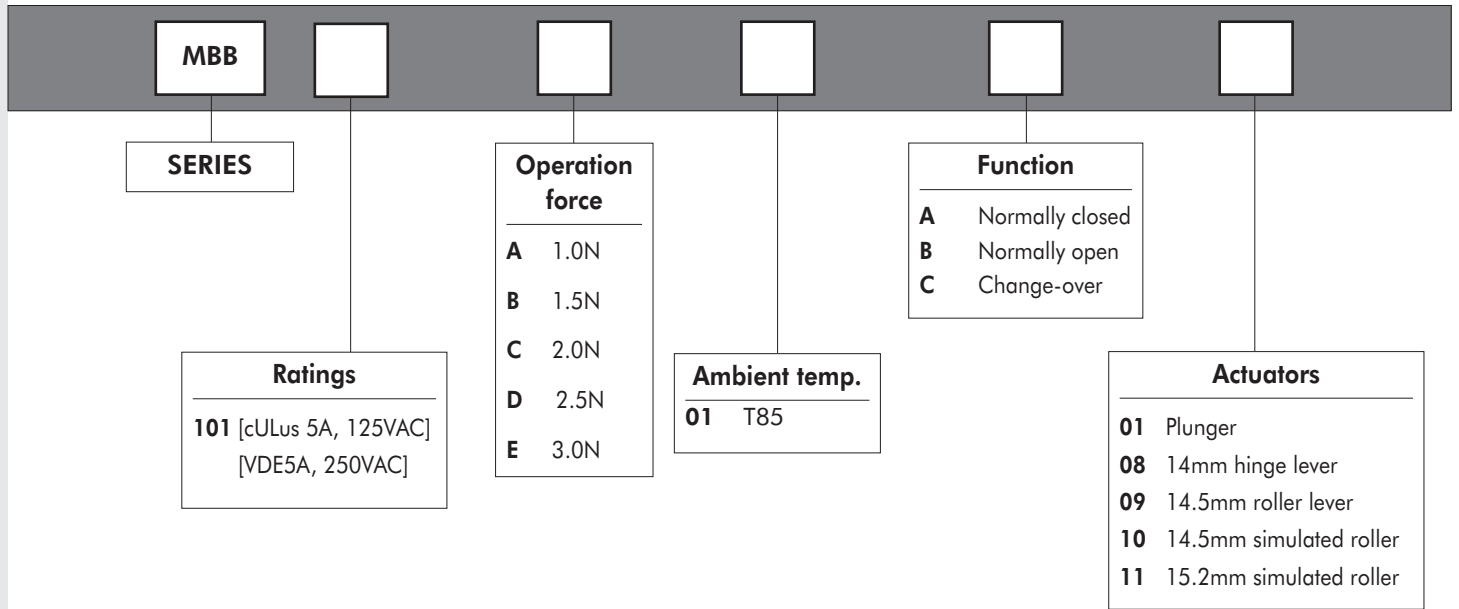
- Operating temperature:  $0^{\circ}\text{C}$  to  $+85^{\circ}\text{C}$
- Pretravel:  $\leq 0.8\text{mm}$
- Overtravel:  $0.5\text{mm}$  min.
- Movement differential:  $\leq 0.2\text{mm}$
- Operating position:  $9.1 \pm 0.4\text{mm}$
- Contact gap:  $< 3\text{mm}$

### AGENCY APPROVALS



# MBB series

Micro limit snap action switch



## ABOUT THIS SERIES

On the following pages, you will find successively :

- model structure of switches
- options in the same order as in above chart

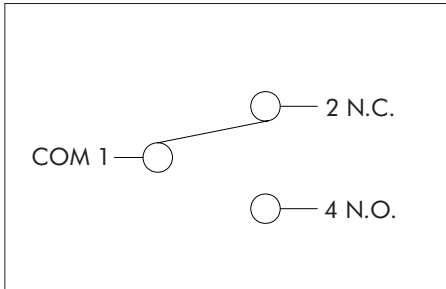
**Dimensions** : first dimensions are in mm while inches are shown as bracketed numbers.



**NOTICE** : please note that not all combinations of above numbers are available. Refer to the following pages for further information.

# MBB series

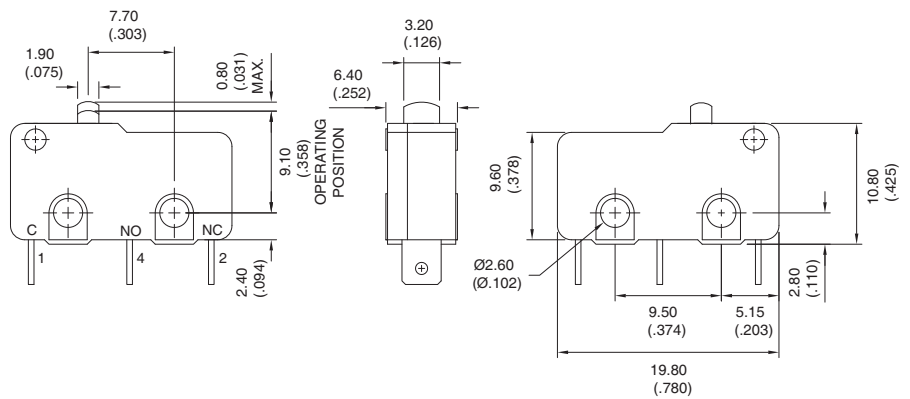
Micro limit snap action switch



## Change-over with plunger



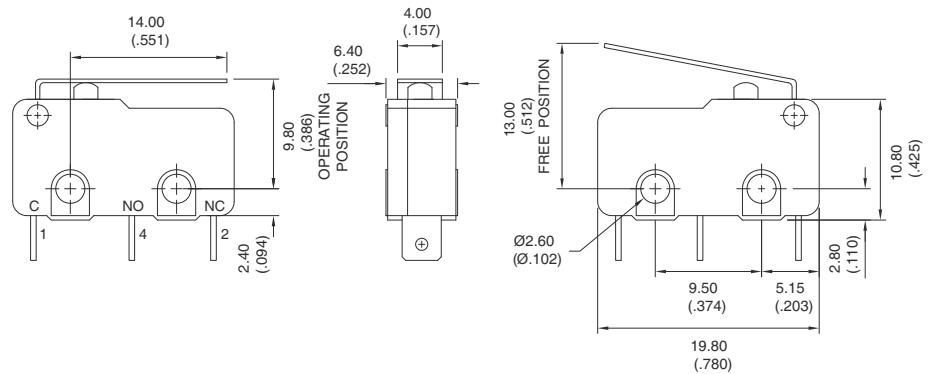
MBB101 01C01



## Change-over with 14mm hinge lever



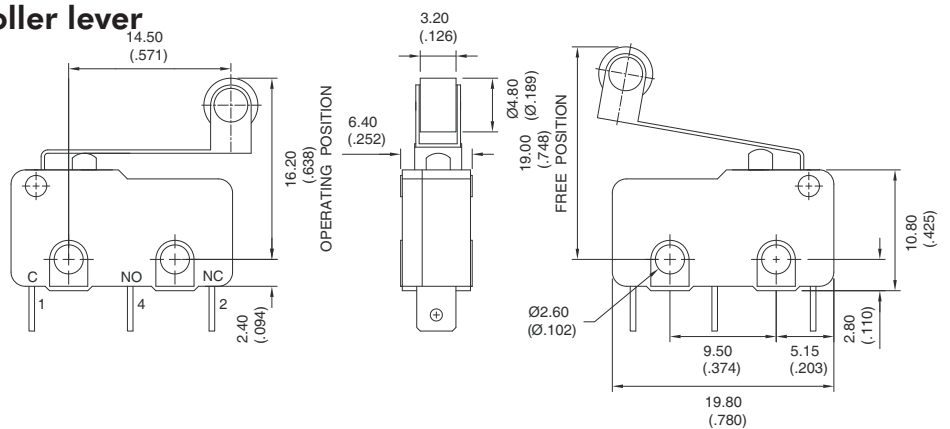
MBB101 01C08



## Change-over with 14.5mm roller lever



MBB101 01C09



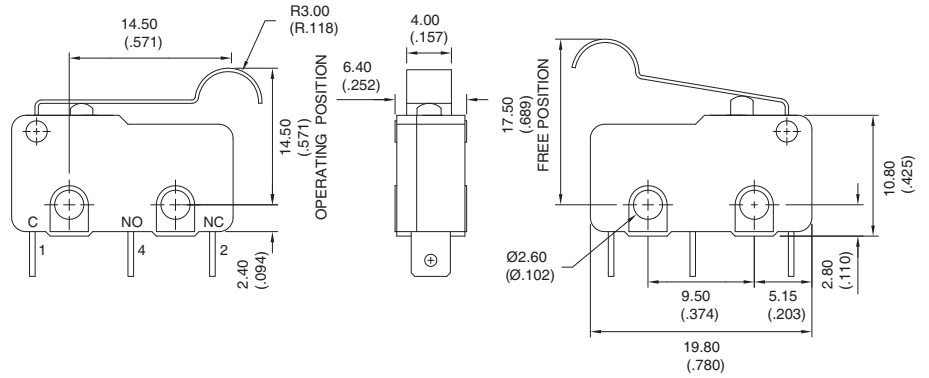
# MBB series

Micro limit snap action switch

## Change-over with 14.5mm simulated roller



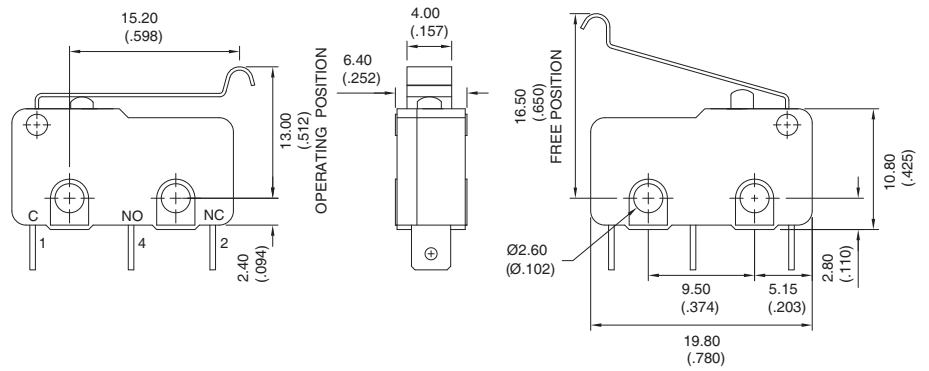
MBB101 01C10



## Change-over with 15.2mm simulated roller



MBB101 01C11

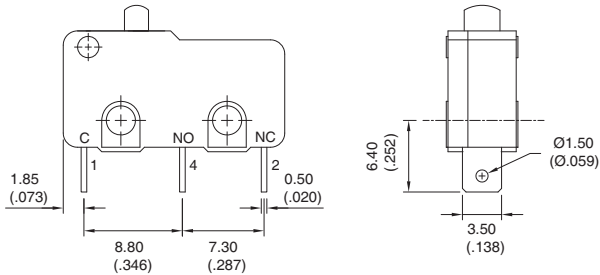


# MBB series

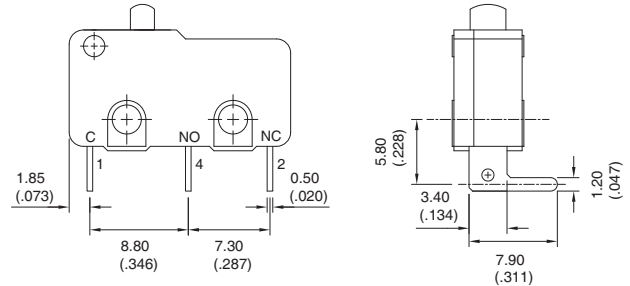
Micro limit snap action switch

## Terminal options

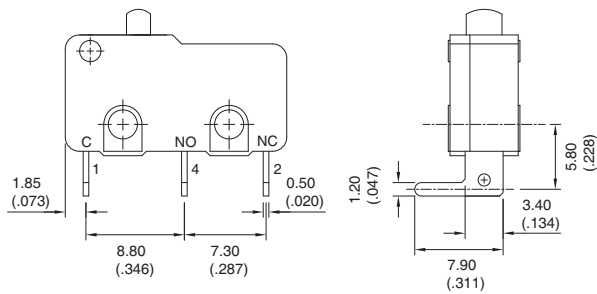
### A Solder lug terminals



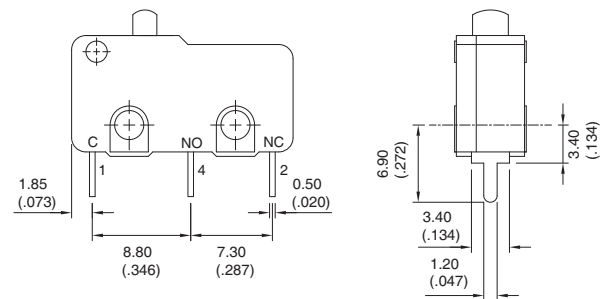
### B Left bend PCB terminals



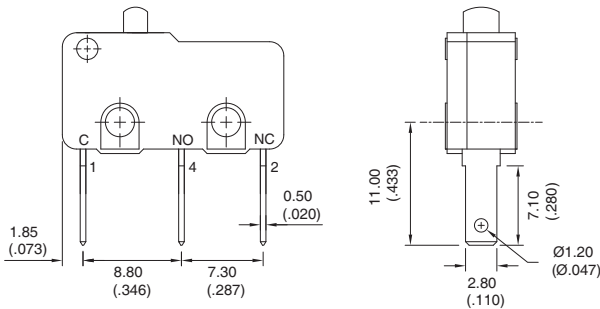
### C Right bend PCB terminals



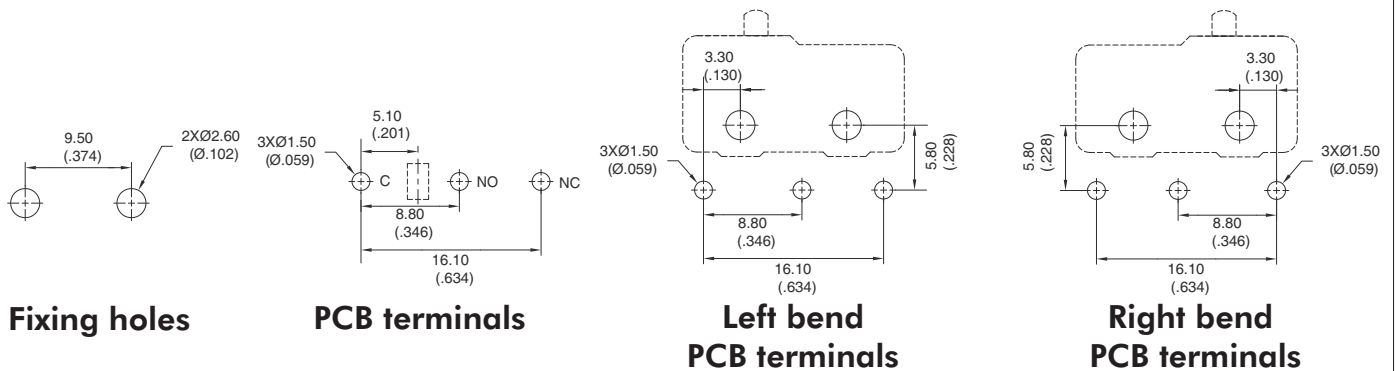
### D PCB terminals



### E Quick connect terminals



## Mounting hole dimensions



# MBB series

Micro limit snap action switch

MBB	Actuator	Actuator length	Operation force on plunger (≤N)	Operation force on lever (≤N)	Pretravel mm (in)	Overtravel mm (in)	Movement differential mm (in)	Free position mm (in)	Operating position
<b>Plunger</b>	01	-	1.0	-	0.80 (.031)	0.50 (.020)	0.20 (.008)	10.30 (.406)	9.10±0.40 (.358±.016)
			1.5	-					
			2.0	-					
			2.5	-					
			3.0	-					
<b>Hinge lever</b> 14mm	08	14.00 (.551)	1.0	0.30	4.20 (.165)	1.00 (.039)	0.80 (.031)	13.00 (.512)	9.80±1.00 (.386±.039)
			1.5	0.45					
			2.0	0.60					
			2.5	0.75					
			3.0	0.90					
<b>Roller lever</b> 14.5mm	09	14.50 (.571)	1.0	0.30	3.80 (.150)	1.20 (.047)	0.80 (.031)	19.00 (.748)	16.20±1.00 (.638±.039)
			1.5	0.45					
			2.0	0.60					
			2.5	0.75					
			3.0	0.90					
<b>Simulated roller</b> 14.5mm	10	14.50 (.571)	1.0	0.30	4.00 (.157)	1.20 (.047)	0.80 (.031)	17.50 (.689)	14.50±1.00 (.571±.039)
			1.5	0.45					
			2.0	0.60					
			2.5	0.75					
			3.0	0.90					
<b>Simulated roller</b> 15.2mm	11	15.20 (.598)	1.0	0.25	4.70 (.185)	1.20 (.047)	0.80 (.031)	16.50 (.650)	13.00±1.20 (.512±.047)
			1.5	0.38					
			2.0	0.50					
			2.5	0.63					
			3.0	0.75					

## X-ON Electronics

Largest Supplier of Electrical and Electronic Components

*Click to view similar products for [Basic / Snap Action Switches](#) category:*

*Click to view products by [Apem](#) manufacturer:*

Other Similar products are found below :

[5SM901-S12](#) [5SM9-S12N195](#) [602EN532](#) [602EN535-RB](#) [602HE5-RB1](#) [604HE162](#) [604HE223-6B](#) [624HE17-RB](#) [6HM82](#) [6HM89](#) [6SE1](#)  
[6SX1-H58](#) [70500216](#) [70599106](#) [MBD5B1](#) [MBH2731](#) [73-316-0012](#) [EXD-AR20](#) [79211923](#) [79218589](#) [7AS12](#)  
[MIL30126AB6BBMD4A12XAU](#) [ML-1155](#) [ML-1376](#) [831010C3.0](#) [831090C2.EL](#) [83131904](#) [84212012](#) [8AS239](#) [8HM73-3](#) [8SX26-H33](#)  
[914CE1-6G](#) [PL-100](#) [11SM1077-H4](#) [11SM1077-H58](#) [11SM1-TN107](#) [11SM405](#) [11SM8423-H2](#) [11SX37-T](#) [11SX48-H58](#) [11SM2442-T](#)  
[11SM76-T](#) [11SM77-H58](#) [11SM77-T](#) [11SM863-T](#) [11SM866](#) [A7CN-1M-1-LEFT](#) [A831700C7.0](#) [121EN187-R](#) [121EN188-R](#)