

MBZ series

Micro limit snap action switch

Distinctive features and specifications



- Movement differential $\leq 0.13\text{mm}$.
- Available in normally open, normally closed and change over functions.
- Solder lug and PC terminals available.
- Gold plated contacts available.

ELECTRICAL SPECIFICATIONS

- AC rating: 10 (1,5)A 250VAC, 100mA 12VDC
- Electrical life: 10,000 cycles min. depending on switching capacity

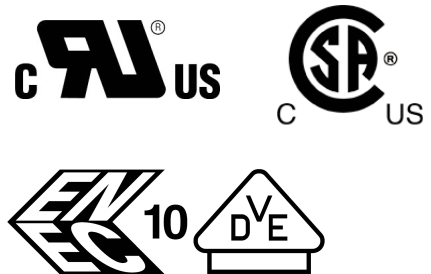
MATERIALS

- Case: PBT (UL94V-0)
- Actuator:
 - T85: POM (UL94HB)
 - T130: PBT (UL94V-0)
- Contact spring: CuBe
- Terminals: CuZn Ag plated
- Contacts: AgNi, or AgNi Au plated

GENERAL SPECIFICATIONS

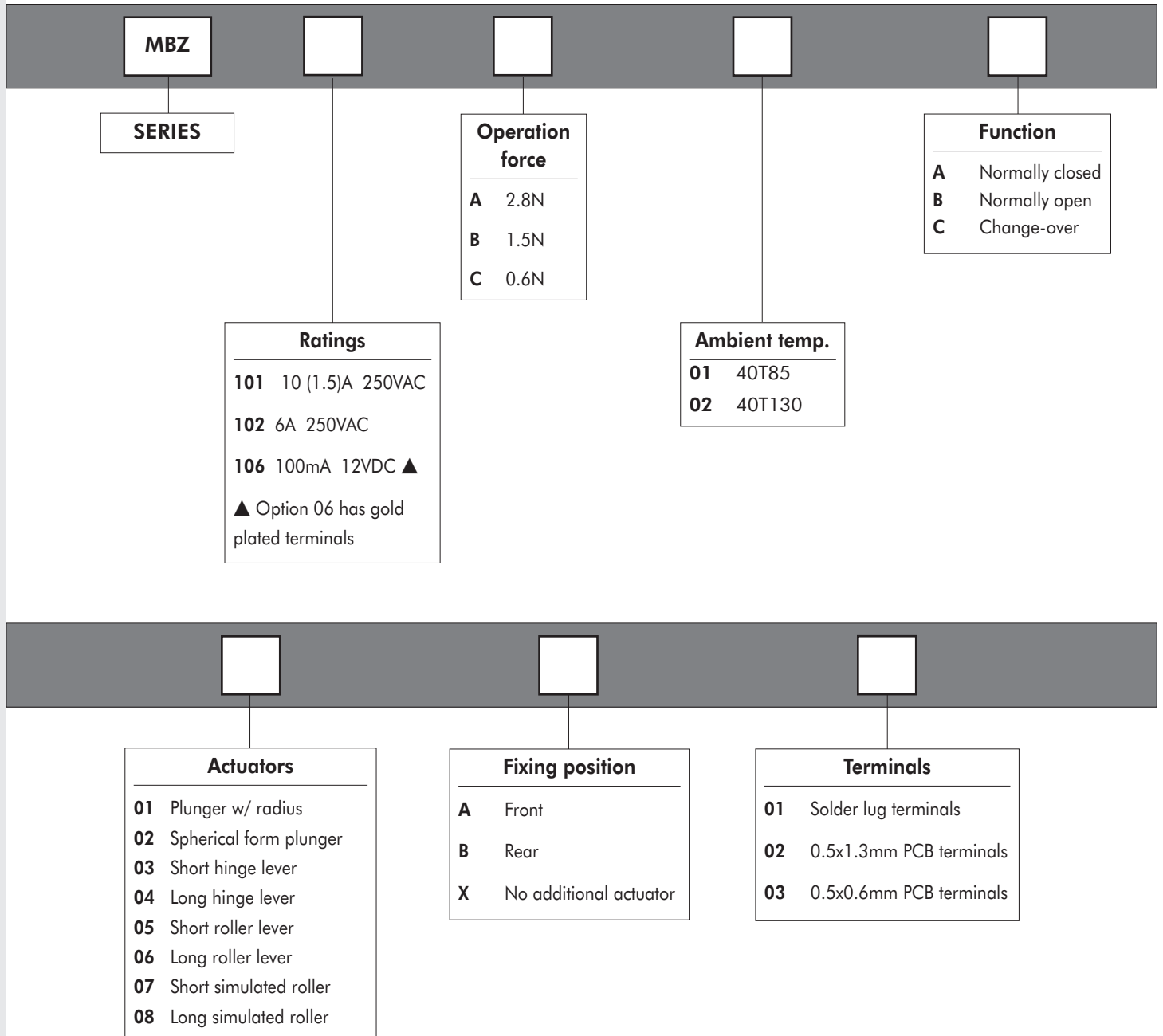
- Operating temperature: -40°C to $+85/+130^{\circ}\text{C}$
- Pretravel: $\leq 1\text{mm}$
- Overtravel: 0.3mm min., 0.6mm max.
- Movement differential: $\leq 0.13\text{mm}$
- Operating position: $8.4 \pm 0.3\text{mm}$
- Contact opening: $< 3\text{mm}$
- Mechanical life: 10,000,000 cycles

AGENCY APPROVAL



MBZ series

Micro limit snap action switch



ABOUT THIS SERIES

On the following pages, you will find successively :

- model structure of switches
- options in the same order as in above chart

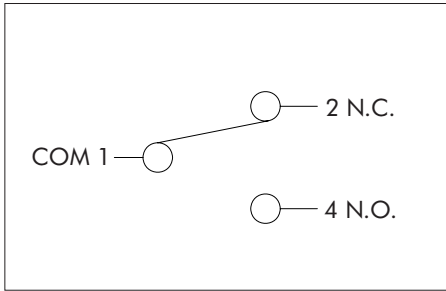
Dimensions : first dimensions are in mm while inches are shown as bracketed numbers.



NOTICE : please note that not all combinations of above numbers are available. Refer to the following pages for further information.

MBZ series

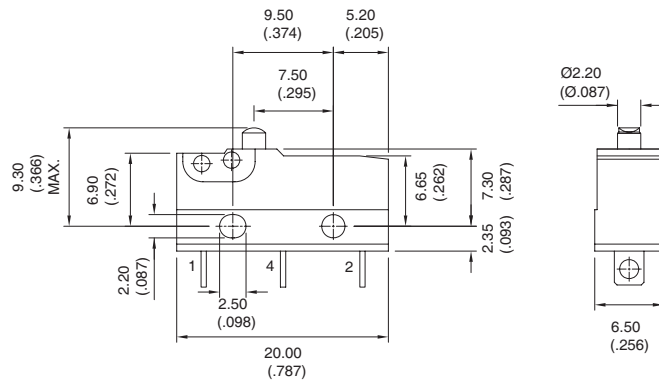
Micro limit snap action switch



Change-over with rounded plunger



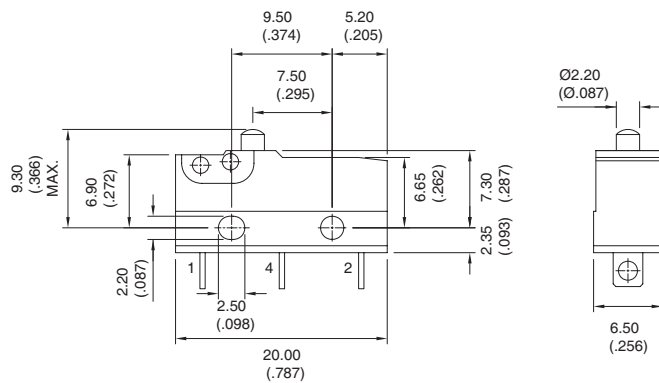
MBZ C01B01



Change-over with spherical plunger



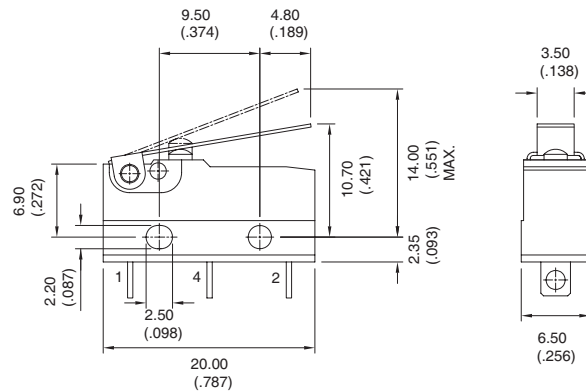
MBZ C02B01



Change-over with short hinge lever



MBZ C03B01



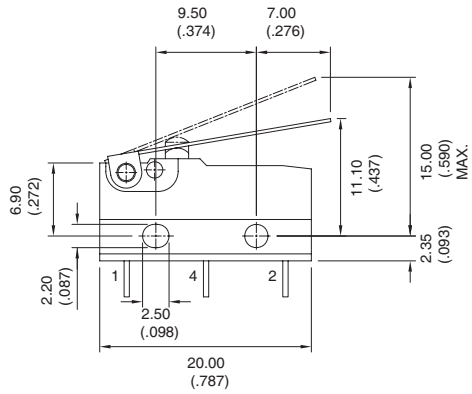
MBZ series

Micro limit snap action switch

Change-over with long hinge lever



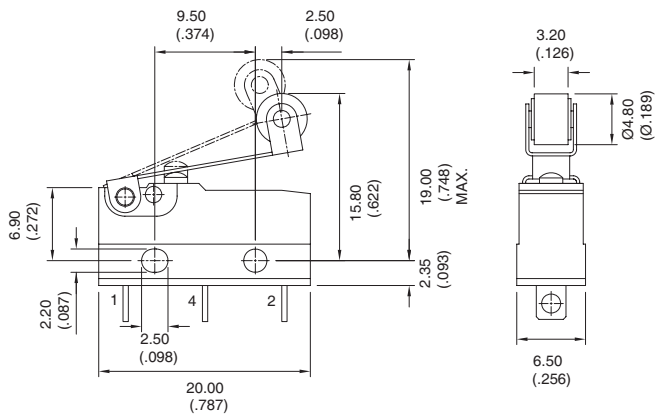
MBZ C04B01



Change-over with short roller lever



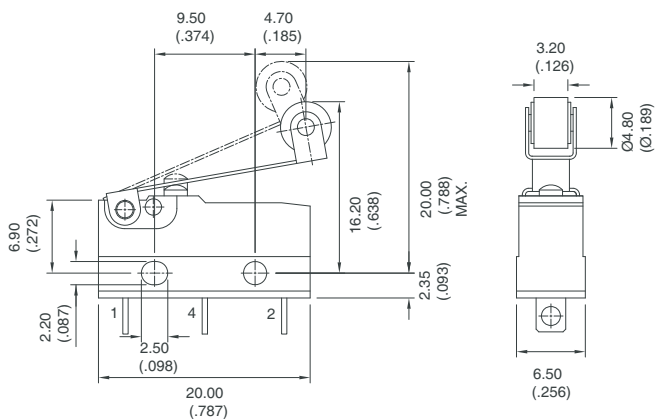
MBZ C05B01



Change-over with long roller lever



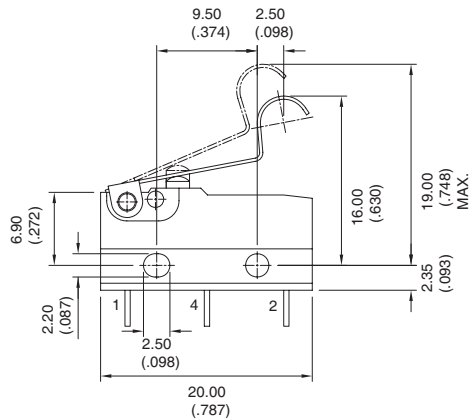
MBZ C06B01



Change-over with short simulated roller



MBZ C07B01



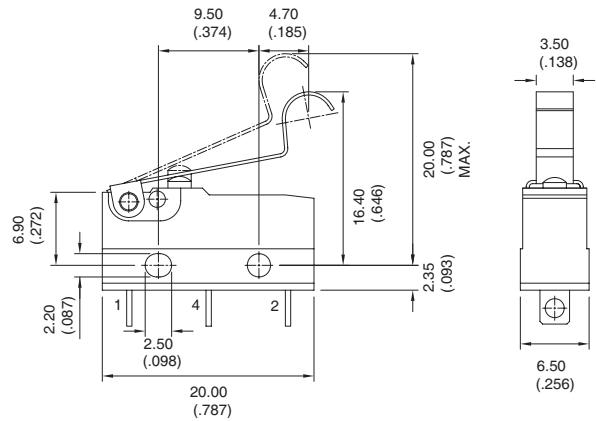
MBZ series

Micro limit snap action switch

Change-over with long simulated roller

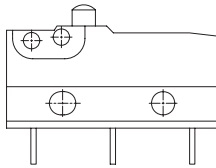


MBZ C08B01

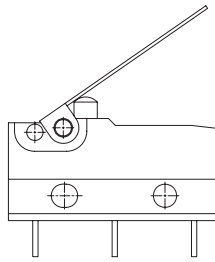


Fixing position

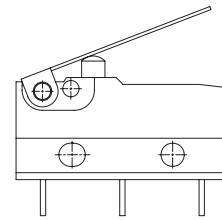
X No additional actuator



A Front

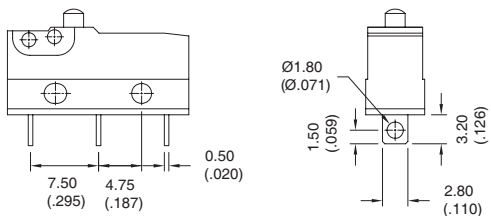


B Rear

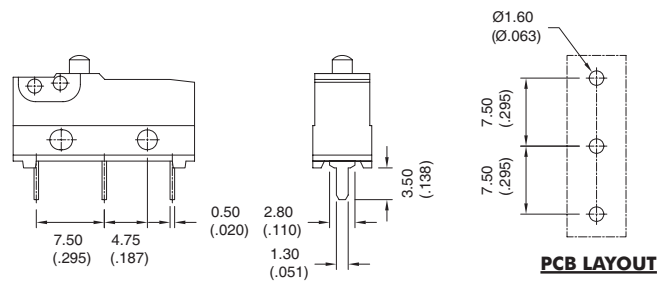


Terminal options

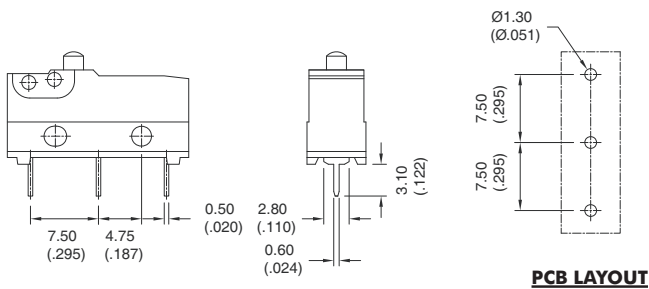
01 Solder lug terminals



02 0.5x1.3mm PCB terminals



03 0.5x0.6mm PCB terminals



MBZ series

Micro limit snap action switch

| MBZ | Actuator | Actuator length | Operation force on plunger ($\leq N$) | Operation force on lever ($\leq N$) | Pretravel | Overtravel | Movement differential | Free position | Operating position |
|------------------------------|----------|-----------------|---|---------------------------------------|-----------------|--------------------------|-----------------------|-----------------|---------------------------|
| Plunger with radius | 01 | - | 0.60 | - | 1.20 (.047) | 0.30-0.60 (.012-.024) | 0.13 (.005) | 9.30 (.366) | 8.40±0.30 (.331±.012) |
| | | | 1.50 | - | | | | | |
| | | | 2.80 | - | | | | | |
| Spherical plunger | 02 | - | 0.60 | - | 1.20 (.047) | 0.30-0.60 (.012-.024) | 0.13 (.005) | 9.30 (.366) | 8.40±0.30 (.331±.012) |
| | | | 1.50 | - | | | | | |
| | | | 2.80 | - | | | | | |
| Rear fixing position | | | | | | | | | |
| Short hinge lever | 03 | 4.80 (.189) | 0.60 | 0.21 | 4.50 (.177) | 0.75-1.50 (.030-.059) | 0.90 (.035) | 14.00 (.551) | 10.70±1.60 (.421±.063) |
| | | | 1.50 | 0.54 | | | | | |
| | | | 2.80 | 1.00 | | | | | |
| Long hinge lever | 04 | 7.00 (.276) | 0.60 | 0.18 | 5.00 (.197) | 0.75-1.50 (.030-.059) | 1.20 (.047) | 15.00 (.591) | 11.10±1.80 (.437±.071) |
| | | | 1.50 | 0.46 | | | | | |
| | | | 2.80 | 0.85 | | | | | |
| Short roller lever | 05 | 2.50 (.098) | 0.60 | 0.24 | 4.50 (.177) | 0.75-1.50 (.030-.059) | 0.70 (.028) | 19.00 (.748) | 15.80±1.60 (.622±.063) |
| | | | 1.50 | 0.59 | | | | | |
| | | | 2.80 | 1.10 | | | | | |
| Long roller lever | 06 | 4.70 (.185) | 0.60 | 0.20 | 5.00 (.197) | 0.75-1.50 (.030-.059) | 1.00 (.039) | 20.00 (.787) | 16.20±1.80 (.638±.071) |
| | | | 1.50 | 0.51 | | | | | |
| | | | 2.80 | 0.95 | | | | | |
| Short simulated roller | 07 | 2.50 (.098) | 0.60 | 0.25 | 4.50 (.177) | 0.75-1.50 (.030-.059) | 0.70 (.028) | 19.00 (.748) | 16.00±1.60 (.630±.063) |
| | | | 1.50 | 0.62 | | | | | |
| | | | 2.80 | 1.15 | | | | | |
| Long simulated roller | 08 | 4.70 (.185) | 0.60 | 0.20 | 5.00 (.197) | 0.75-1.50 (.030-.059) | 1.00 (.039) | 20.00 (.787) | 16.40±1.80 (.646±.071) |
| | | | 1.50 | 0.51 | | | | | |
| | | | 2.80 | 0.95 | | | | | |
| Front fixing position | | | | | | | | | |
| Short hinge lever | 03 | 7.00 (.276) | 0.60 | 0.10 | 9.00 (.354) | 1.25-2.50 (.049-.098) | 1.50 (.059) | 18.00 (.709) | 12.00±3.00 (.472±.118) |
| | | | 1.50 | 0.24 | | | | | |
| | | | 2.80 | 0.45 | | | | | |
| Long hinge lever | 04 | 9.40 (.370) | 0.60 | 0.09 | 10.00 (.394) | 1.50-3.00 (.059-.118) | 1.80 (0.71) | 20.00 (.787) | 12.50±3.50 (.492±.138) |
| | | | 1.50 | 0.21 | | | | | |
| | | | 2.80 | 0.40 | | | | | |
| Short roller lever | 05 | 4.70 (.185) | 0.60 | 0.11 | 9.00 (.354) | 1.25-2.50 (.049-.098) | 1.50 (.059) | 22.00 (.866) | 17.00±3.00 (.669±.118) |
| | | | 1.50 | 0.27 | | | | | |
| | | | 2.80 | 0.50 | | | | | |
| Long roller lever | 06 | 7.10 (.280) | 0.60 | 0.09 | 10.00 (.394) | 1.50-3.00 (.059-.118) | 1.80 (0.71) | 24.00 (.945) | 17.50±3.50 (.689±.138) |
| | | | 1.50 | 0.21 | | | | | |
| | | | 2.80 | 0.40 | | | | | |
| Short simulated roller | 07 | 4.70 (.185) | 0.60 | 0.13 | 9.00 (.354) | 1.25-2.50 (.049-.098) | 1.50 (.059) | 22.00 (.866) | 17.20±3.00 (.677±.118) |
| | | | 1.50 | 0.32 | | | | | |
| | | | 2.80 | 0.60 | | | | | |
| Long simulated roller | 08 | 7.10 (.280) | 0.60 | 0.11 | 10.00 (.394) | 1.50-3.00 (.059-.118) | 1.80 (0.71) | 24.00 (.945) | 17.70±3.50 (.697±.138) |
| | | | 1.50 | 0.27 | | | | | |
| | | | 2.80 | 0.50 | | | | | |

X-ON Electronics

Largest Supplier of Electrical and Electronic Components

Click to view similar products for [Basic / Snap Action Switches](#) category:

Click to view products by [Apem](#) manufacturer:

Other Similar products are found below :

[5SM901-S12](#) [5SM9-S12N195](#) [602EN532](#) [602EN535-RB](#) [602HE5-RB1](#) [604HE162](#) [604HE223-6B](#) [624HE17-RB](#) [6HM82](#) [6HM89](#) [6SE1](#)
[6SX1-H58](#) [70500216](#) [70599106](#) [MBD5B1](#) [MBH2731](#) [73-316-0012](#) [EXD-AR20](#) [79211923](#) [79218589](#) [7AS12](#)
[MIL30126AB6BBMD4A12XAU](#) [ML-1155](#) [ML-1376](#) [831010C3.0](#) [831090C2.EL](#) [83131904](#) [84212012](#) [8AS239](#) [8HM73-3](#) [8SX26-H33](#)
[914CE1-6G](#) [PL-100](#) [11SM1077-H4](#) [11SM1077-H58](#) [11SM1-TN107](#) [11SM405](#) [11SM8423-H2](#) [11SX37-T](#) [11SX48-H58](#) [11SM2442-T](#)
[11SM76-T](#) [11SM77-H58](#) [11SM77-T](#) [11SM863-T](#) [11SM866](#) [A7CN-1M-1-LEFT](#) [A831700C7.0](#) [121EN187-R](#) [121EN188-R](#)